

THR PCB Terminals with Push In connection

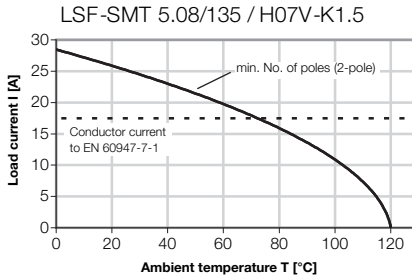
LSF-SMT 5.08/135
LSF-SMT 5.00/135



PCB terminal for fully automatic assembly in reflow soldering (SMT), with Push In conductor connection system. Conductor inserted and slider operated in same direction (TOP). Packaged in tube or as tape on reel. Pin lengths optimised at 1.5 mm or 3.5 mm. Conductor outlet direction 135°.

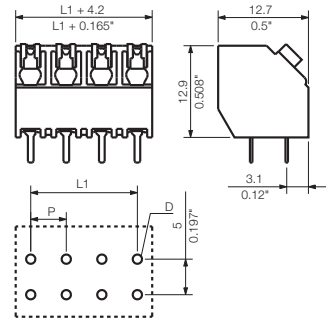
- 0.2 - 1.5 mm² (IEC) / 24 - 16 AWG (UL)
- 500 V (IEC) / 300 V (UL)
- 17.5 A (IEC) / 10 A (UL)

Derating curve



LSF-SMT 5.08/135
LSF-SMT 5.00/135

Reflow-compatible PCB terminal



Technical data

Rated data to IEC 60664-1 / IEC 61984

Clamping range, max.	mm ²	0.13...1.5	
Solid H05(07) V-U	mm ²	0.2...1.5	
Stranded H07 V-R	mm ²		
Flexible H05(07) V-K	mm ²	0.2...1.5	
Flexible with ferrule	mm ²	0.25...1.5	
Ferrule with plastic collar	mm ²	0.25...0.75	
Stripping length	mm	8	
Screwdriver blade according to norm	mm		
Tightening torque range	Nm		

Rated current at ambient temperature

	A	20°C	40°C
		17.5	17.5

Overvoltage category

		III	III	II
--	--	-----	-----	----

Pollution severity

		3	2	2
--	--	---	---	---

Rated voltage	V	250	320	500
Rated impulse voltage	kV	4	4	4

UL 1059 rated data

		B	C	D
--	--	---	---	---

Nominal voltage	V	300	300
Rated current	A	10	10
AWG conductor		24-16	

CSA C22.2 rated data

		B	C	D
--	--	---	---	---

Rated voltage	V	300	300
Rated current	A	10	10
AWG conductor		24-16	

Material data

Type of insulating material	LCP GF
Flammability class acc. UL94	V-0
Contact base material	Cu alloy
Material of contact surface	tinned

Information

- Additional colours on request
- Rated current related to rated cross-section and min. No. of poles.
- Wire end ferrule without plastic collar to DIN 46228 pt 1
- The data given under CSA relates to a cUL approval - E60693
- P on drg. = pitch
- Hole diameter D = 1.1+0.1mm
- Operating force of slider max. 40 N
- Rated data refer only to the component itself. Clearance and creepage distances to other components are to be designed in accordance with the relevant application standards.

Ordering data

Solder pin length	1.5 mm	3.5 mm
Colour of plastic	black	black

Pitch 5.08 mm

Poles	L1 mm	(inch)	Qty.	Order No.	Order No.
2	5.08	(0.200)	59	1884730000	1885020000
3	10.16	(0.400)	38	1884740000	1885030000
4	15.24	(0.600)	28	1884750000	1885040000
5	20.32	(0.800)	22	1884760000	1885050000
6	25.40	(1.000)	18	1884770000	1885060000
7	30.48	(1.200)	15	1884780000	1885070000
8	35.56	(1.400)	13	1884790000	1885080000
9	40.64	(1.600)	12	1884800000	1885090000
10	45.72	(1.800)	11	1884810000	1885100000
11	50.80	(2.000)	10	1884820000	1885110000
12	55.88	(2.200)	9	1884830000	1885120000
13	60.96	(2.400)	8	1884840000	1885130000
14	66.04	(2.600)	7	1884850000	1885140000
15	71.12	(2.800)	7	1884860000	1885150000
16	76.20	(3.000)	6	1884870000	1885160000

Pitch 5.00 mm

Poles	L1 mm	(inch)	Qty.	Order No.	Order No.
2	5.00	(0.197)	60	1884530000	1884340000
3	10.00	(0.394)	39	1884540000	1884370000
4	15.00	(0.591)	28	1884550000	1884380000
5	20.00	(0.787)	22	1884560000	1884390000
6	25.00	(0.984)	18	1884570000	1884400000
7	30.00	(1.181)	16	1884580000	1884410000
8	35.00	(1.378)	14	1884590000	1884420000
9	40.00	(1.575)	12	1884600000	1884430000
10	45.00	(1.772)	11	1884660000	1884440000
11	50.00	(1.969)	10	1884670000	1884450000
12	55.00	(2.165)	9	1884680000	1884460000
13	60.00	(2.362)	8	1884690000	1884470000
14	65.00	(2.559)	8	1884700000	1884500000
15	70.00	(2.756)	7	1884710000	1884510000
16	75.00	(2.953)	6	1884720000	1884520000

LSF-SMT 5.08/135 Tape
LSF-SMT 5.00/135 Tape

Reflow-compatible PCB terminal



Accessories

Possible colors

Additional colours on request



Marking strips

See chapter accessories



Ordering data

Solder pin length	1.5 mm	3.5 mm
Colour of plastic	black	black

Pitch 5.08 mm

Poles	L1 mm	(inch)	Qty.	Order No.	Order No.
2	5.08	(0.200)	190	1888710000	1888780000
3	10.16	(0.400)	190	1888720000	1888790000
4	15.24	(0.600)	190	1888730000	1888810000
5	20.32	(0.800)	190	1888740000	1888830000
6	25.40	(1.000)	190	1888750000	1888840000
7	30.48	(1.200)	190	1888760000	1888870000
8	35.56	(1.400)	190	1888770000	1888880000

Pitch 5.00 mm

Poles	L1 mm	(inch)	Qty.	Order No.	Order No.
2	5.00	(0.197)	190	1888570000	1888640000
3	10.00	(0.394)	190	1888580000	1888650000
4	15.00	(0.591)	190	1888590000	1888660000
5	20.00	(0.787)	190	1888600000	1888670000
6	25.00	(0.984)	190	1888610000	1888680000
7	30.00	(1.181)	190	1888620000	1888690000
8	35.00	(1.378)	190	1888630000	1888700000

Tape widths: 32, 44, 56, 72, 88