

# Module Light Series



Waterproof 3Leds Module adopts 3 piranha LEDs as its luminous body which is of high intensity and large beaming angle. The chips of the LEDs are from famous international company. The LEDs are set evenly on the PCB board with wires coming out from its top.

This products has good ability of heat-sinking. The mounting holes on both ends ensure that this product can be conveniently installed even in small space.

ABS engineering plastic housing filled with epoxy makes the module wholly waterproof. Available color: Red, Yellow, Blue, Green, White, Warm White, etc. This product can be widely used for channel letters, signs, logos, etc.

## Waterproof 3Leds Module

Part No.: IMG-M3X-F3



## Specification:

Size: 80.2(L)\*18(W)\*10(H)mm

LED Spacing: 20mm

Weight: 15g

Beaming Angle: >90°

## Electrical specifications:

IP Class: IP67

Input Voltage: 12VDC

Power Consumption: 0.24W/PC

Maximum Length of One Loop: 100pcs

Power Supply: waterproof 30W-12V-2.5A;

60W-12V-5A; 150W-12V-12.5A

Non-waterproof 55W-12V-4.6A,

150W- 12V-12.5A; 300W-12V-25A

**Green, Energy Saving.**

**Low voltage, DC 12V, High brightness.**

**Conforming to international standard.**

**Absolutely safe and stable.**

**Save 90% electricity compared to traditional lights.**

## Longevity of Luminous Body:

All LED lights adopt super bright LED as their luminous body. Theoretically, the longevity of LED could be 50,000-100,000 MTBF (Mean Time Between Failure: average fault-free time, the standard usually measured by manufacturer of traditional lights). Like traditional lighting products, the lumen of LED will also decrease as time goes on. LED lumen is influenced by environmental factors such as temperature, humidity, and ventilation condition. It also could be impacted by its design on heat sinking, current control, etc. To some extent, these factors are the main ones on LED longevity.

## IMAGEY LIGHTING CO., LTD

Address: No. 1058 Deng Hui Road, Min Hang District, Shanghai, China (201109)

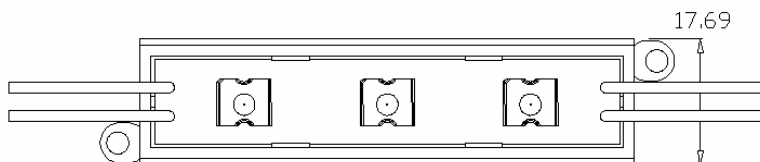
Tel: (86) 21-6490 8790 Fax: (86)21-6490 8780

Email: [market@imagey.com](mailto:market@imagey.com)

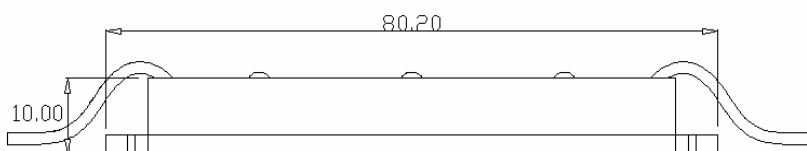
[Http://www.imagey.com](http://www.imagey.com)

Diagram: (unit: mm)

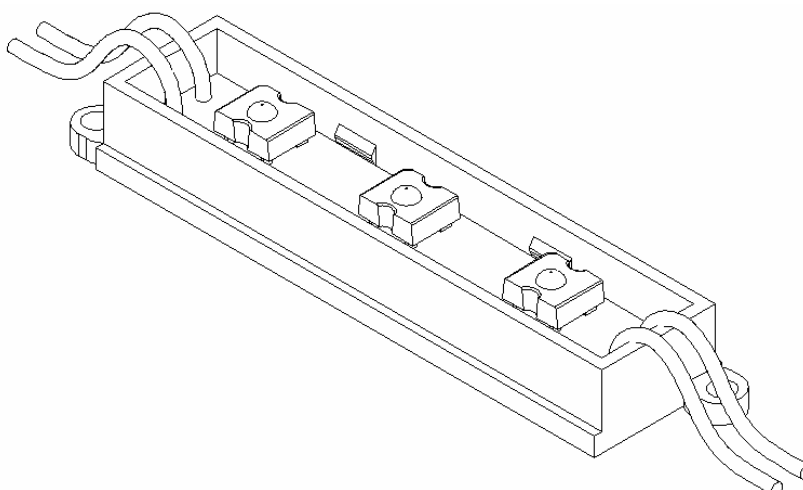
### Top View



### Side View



### Top-Side View



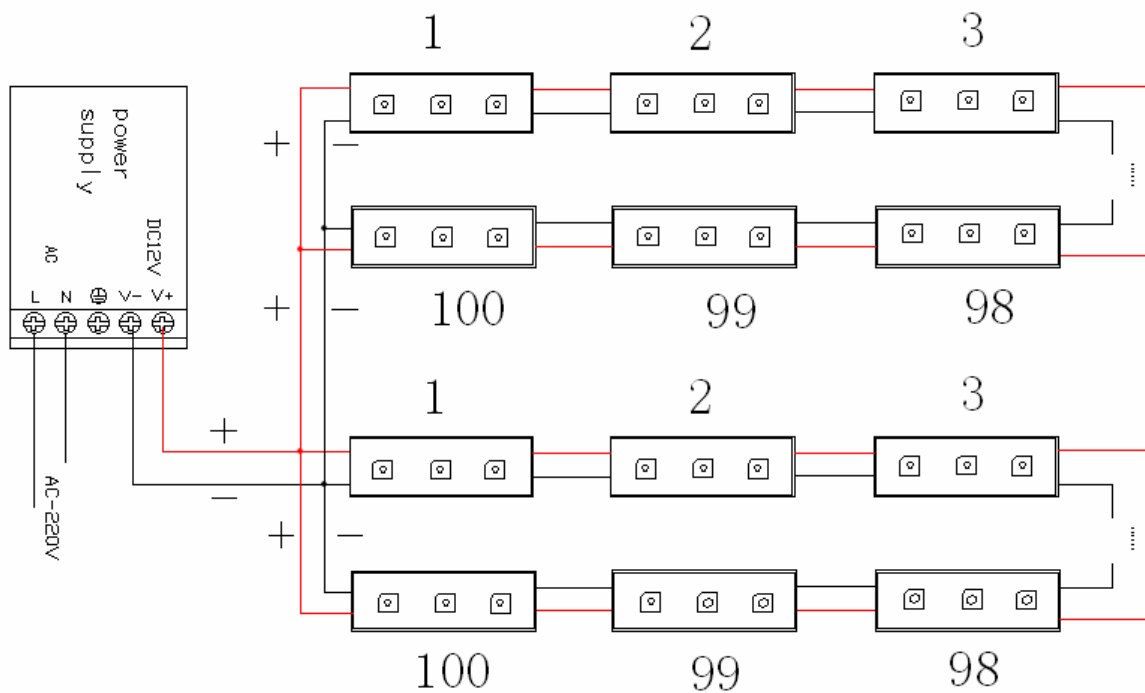
**IMAGEY LIGHTING CO., LTD**  
Address: No. 1058 Deng Hui Road, Min Hang District, Shanghai, China (201109)  
Tel: (86) 21-6490 8790 Fax: (86)21-6490 8780  
Email: [market@imagey.com](mailto:market@imagey.com) [Http://www.imagey.com](http://www.imagey.com)



## ATTENTION

To ensure the longevity and stability of Waterproof 3 Leds Module, please do not hit or beat the module forcibly.

## Connecting Diagram



## WARNING



- \* Do not touch INPUT PORT when power is on.
- \* Please leave 20% power free to protect the brightness of module from being influenced by environments.
- \* Install this module at desired installation spot.
- \* Please note the negative and positive polarity when you link wires of power supply to avoid short circuit.
- \* Make sure the output voltage of power supply is of the same with module's operating voltage.

IMAGEY LIGHTING CO., LTD

Address: No. 1058 Deng Hui Road, Min Hang District, Shanghai, China (201109)

Tel: (86) 21-6490 8790 Fax: (86)21-6490 8780

Email: [market@imagey.com](mailto:market@imagey.com)

[Http://www.imagey.com](http://www.imagey.com)