



MC34063A
MC34063E

DC-DC CONVERTER CONTROL CIRCUITS

- OUTPUT SWITCH CURRENT IN EXCESS OF 1.5A
- 2% REFERENCE ACCURACY
- LOW QUIESCENT CURRENT: 2.5mA (TYP.)
- OPERATING FROM 3V TO 40V
- FREQUENCY OPERATION TO 100KHz
- ACTIVE CURRENT LIMITING

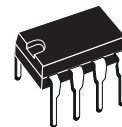
DESCRIPTION

The MC34063A/E series is a monolithic control circuit delivering the main functions for DC-DC voltage converting.

The device contains an internal temperature compensated reference, comparator, duty cycle controlled oscillator with an active current limit circuit, driver and high current output switch.

Output voltage is adjustable through two external resistors with a 2% reference accuracy.

Employing a minimum number of external components the MC34063A/E devices series is designed for Step-Down, Step-Up and Voltage-Inverting applications.

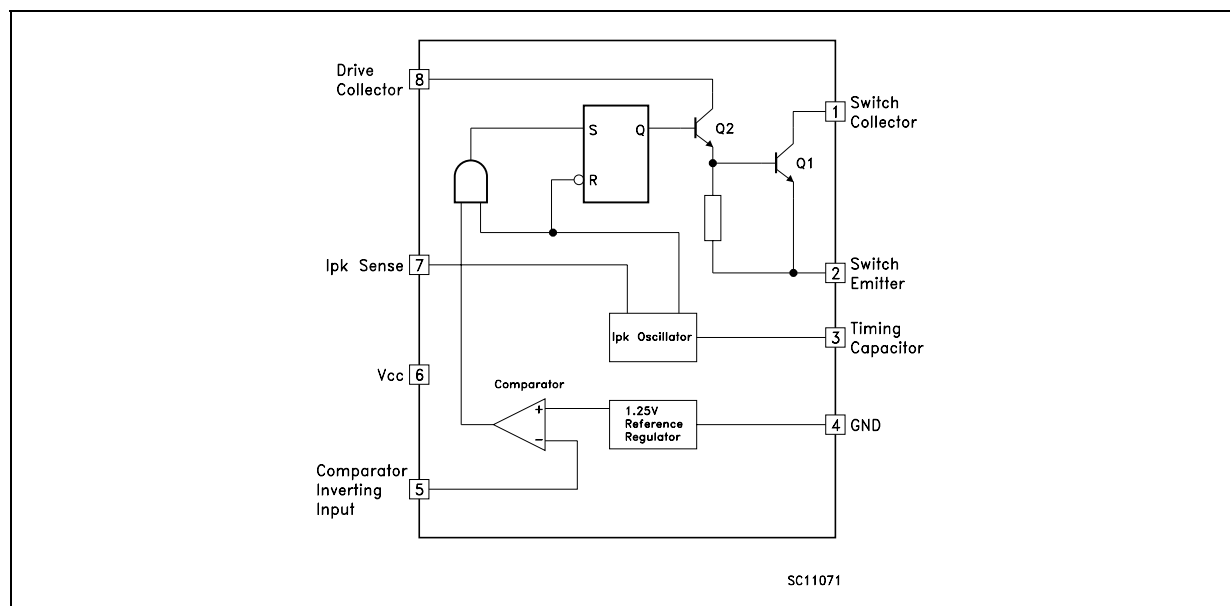


DIP-8



SO-8

BLOCK DIAGRAM



ABSOLUTE MAXIMUM RATINGS

| Symbol | Parameter | Value | Unit |
|------------------|--|--------------------------------------|----------------|
| V _{CC} | Power Supply Voltage | 50 | V |
| V _{ir} | Comparator Input Voltage Range | -0.3 to 40 | V |
| V _{SWC} | Switch Collector Voltage | 40 | V |
| V _{SWE} | Switch Emitter Voltage (V _{SWC} = 40V) | 40 | V |
| V _{CE} | Switch Collector to Emitter Voltage | 40 | V |
| V _{dc} | Driver Collector Voltage | 40 | V |
| I _{dc} | Driver Collector Current | 100 | mA |
| I _{SW} | Switch Current | 1.5 | A |
| P _{tot} | Power Dissipation at T _{amb} = 25 °C (for Plastic Package) (for SOIC Package) | 1.25 0.625 | W |
| T _{op} | Operating Ambient Temperature Range (for AC and EC SERIES) (for AB SERIES) (for EB SERIES) | 0 to 70 - 40 to 85 - 40 to 125 | °C °C °C |
| T _{stg} | Storage Temperature Range | - 40 to 150 | °C |

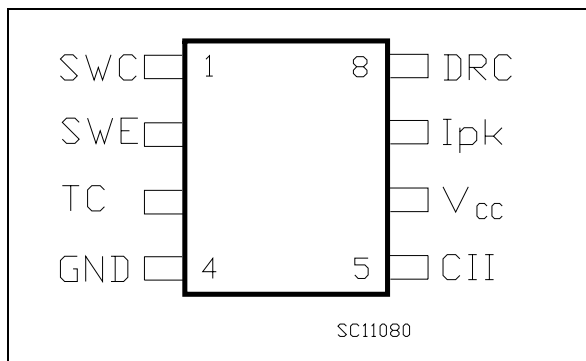
Absolute Maximum Rating are those values beyond which damage to the device may occur. Functional operation under these condition is not implied.

THERMAL DATA

| Symbol | Parameter | DIP-8 | SO-8 | Unit |
|----------------------|---|---------|------|------|
| R _{thj-amb} | Thermal Resistance Junction-ambient (*) | Max 100 | 160 | °C/W |

(*) This value depends from thermal design of PCB on which the device is mounted.

CONNECTION DIAGRAM (top view)



PIN CONNECTIONS

| Pin No | Symbol | Name and Function |
|--------|-----------------|----------------------------|
| 1 | SWC | Switch Collector |
| 2 | SWE | Switch Emitter |
| 3 | TC | Timing Capacitor |
| 4 | GND | Ground |
| 5 | CII | Comparator Inverting Input |
| 6 | V _{CC} | Voltage Supply |
| 7 | I _{pk} | I _{pk} Sense |
| 8 | DRC | Voltage Driver Collector |

ORDERING NUMBERS

| Type | DIP-8 | SO-8 | SO-8 (tape & reel) |
|---------------|------------|------------|--------------------|
| MC34063AB (*) | MC34063ABN | MC34063ABD | MC34063ABD-TR |
| MC34063AC (*) | MC34063ACN | MC34063ACD | MC34063ACD-TR |
| MC34063EB | MC34063EBN | MC34063EBD | MC34063EBD-TR |
| MC34063EC | MC34063ECN | MC34063ECD | MC34063ECD-TR |

(*) The "A" version is not recommended for new designs.

ELECTRICAL CHARACTERISTICS (Refer to the test circuits, $V_{CC} = 5V$, $T_a = T_{LOW}$ to T_{HIGH} , unless otherwise specified, see note 2)

OSCILLATOR

| Symbol | Parameter | Test Conditions | Min. | Typ. | Max. | Unit |
|----------------------|-----------------------------------|--|------|------|------|---------|
| f_{OSC} | Frequency | $V_{pin5} = 0V$ $C_T = 1nF$ $T_a = 25^\circ C$ | 24 | 33 | 42 | KHz |
| I_{chg} | Charge Current | $V_{CC} = 5$ to $40V$ $T_a = 25^\circ C$ | 24 | 33 | 42 | μA |
| I_{dischg} | Discharge Current | $V_{CC} = 5$ to $40V$ $T_a = 25^\circ C$ | 140 | 200 | 260 | μA |
| I_{dischg}/I_{chg} | Discharge to Charge Current Ratio | Pin 7 = V_{CC} $T_a = 25^\circ C$ | 5.2 | 6.2 | 7.5 | |
| $V_{ipk(sense)}$ | Current Limit Sense Voltage | $I_{chg} = I_{dischg}$ $T_a = 25^\circ C$ | 250 | 300 | 350 | mV |

OUTPUT SWITCH

| Symbol | Parameter | Test Conditions | Min. | Typ. | Max. | Unit |
|---------------|---|--|------|------|------|---------|
| $V_{CE(sat)}$ | Saturation Voltage, Darlington Connection | $I_{SW} = 1A$ Pins 1, 8 connected | | 1 | 1.3 | V |
| $V_{CE(sat)}$ | Saturation Voltage | $I_{SW} = 1A$ $R_{pin8} = 82\Omega$ to V_{CC} , Forced $\beta \sim 20$ | | 0.45 | 0.7 | V |
| h_{FE} | DC Current Gain | $I_{SW} = 1A$ $V_{CE} = 5V$ $T_a = 25^\circ C$ | 50 | 120 | | |
| $I_{C(off)}$ | Collector Off-State Current | $V_{CE} = 40V$ | | 0.01 | 100 | μA |

COMPARATOR

| Symbol | Parameter | Test Conditions | Min. | Typ. | Max. | Unit |
|---------------------|-----------------------------------|---|---------------|------|---------------|--------|
| V_{th} | Threshold Voltage | $T_a = 25^\circ C$ $T_a = T_{LOW}$ to T_{HIGH} | 1.225 1.21 | 1.25 | 1.275 1.29 | V V |
| Reg _{line} | Threshold Voltage Line Regulation | $V_{CC} = 3$ to $40V$ | | 1 | 5 | mV |
| I_B | Input Bias Current | $V_{IN} = 0V$ | | -5 | -400 | nA |

TOTAL DEVICE

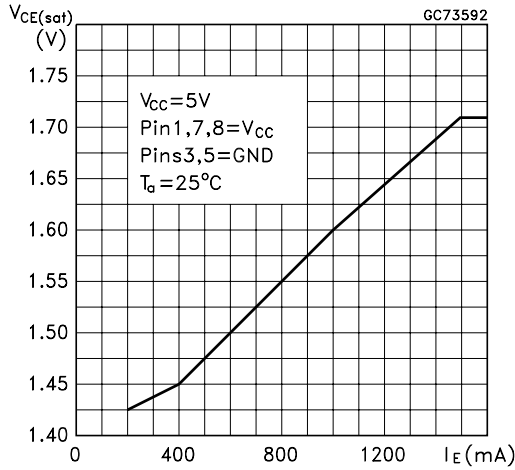
| Symbol | Parameter | Test Conditions | Min. | Typ. | Max. | Unit |
|----------------|---------------------------|--|------|------------|--------|----------|
| I_{CC} | Supply Current | $V_{CC} = 5$ to $40V$ $C_T = 1nF$ Pin 7 = V_{CC} $V_{pin5} > V_{th}$ Pin 2 = GND Remaining pins open for MC34063A for MC34063E | | 2.5 1.5 | 4 4 | mA mA |
| $V_{START-UP}$ | Start-up Voltage (note 4) | $T_a = 25^\circ C$ $C_T = 1\mu F$ Pin 5 = $0V$ for MC34063A for MC34063E | | 2.1 1.5 | | V V |

NOTES:

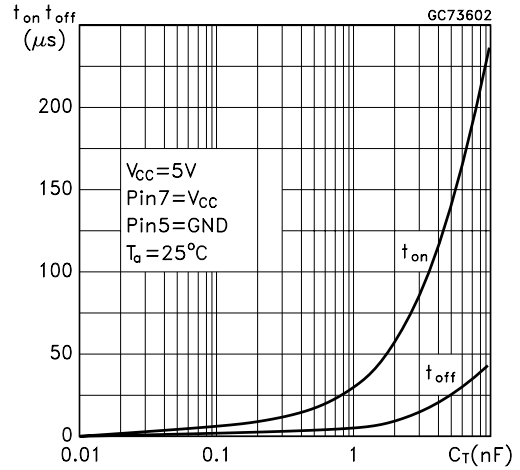
- 1) Maximum package power dissipation limit must be observed.
- 2) $T_{LOW} = 0^\circ C$, $T_{HIGH} = 70^\circ C$ (AC and EC series); $T_{LOW} = -40^\circ C$, $T_{HIGH} = 85^\circ C$ (AB series); $T_{LOW} = -40^\circ C$, $T_{HIGH} = 125^\circ C$ (EB series).
- 3) If Darlington configuration is not used, care must be taken to avoid deep saturation of output switch. The resulting switch-off time may be adversely affected. In a Darlington configuration the following output driver condition is suggested:
Forced β of output current switch = $I_{COUTPUT}/(I_{CDRIVER} - 1mA^*) \geq 10$
* Current less due to a built in $1K\Omega$ antileakage resistor.
- 4) Start-up Voltage is the minimum Power Supply Voltage at which the internal oscillator begins to work.

TYPICAL ELECTRICAL CHARACTERISTICS

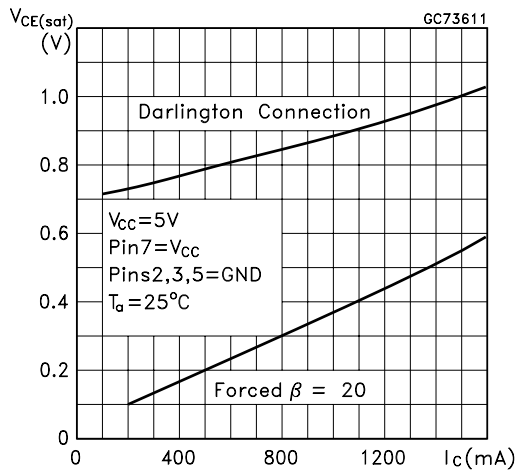
Emitter Follower Configuration Output Saturation Voltage vs Emitter Current



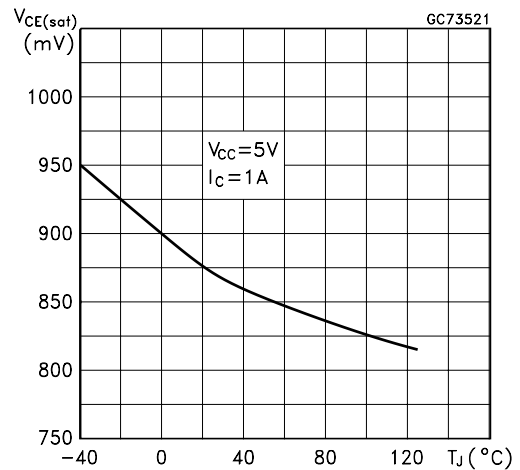
Output Switch ON-OFF Time vs Oscillator Timing Capacitor



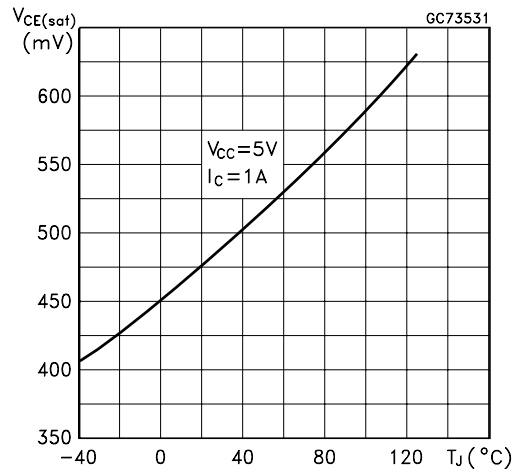
Common Emitter Configuration Output Switch Saturation Voltage vs Collector Current



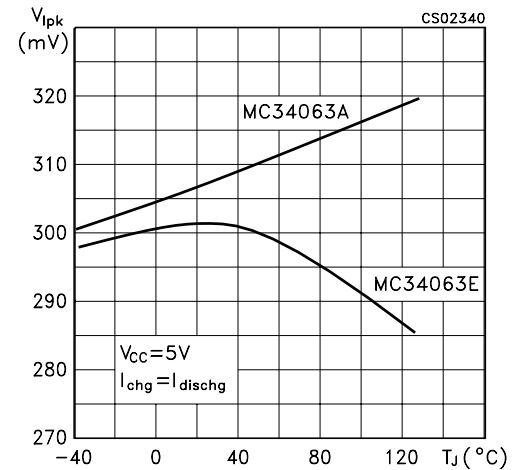
Darlington Configuration Collector Emitter Saturation Voltage ($V_{CE(sat)}$) vs Temperature



Power Collector Emitter Saturation Voltage ($V_{CE(sat)}$) vs Temperature

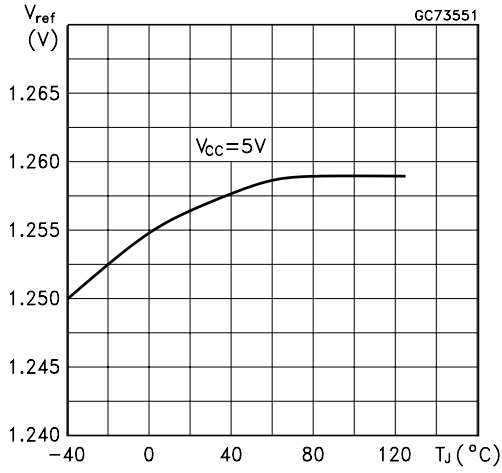


Current Limit Sense Voltage (V_{ipk}) vs Temperature

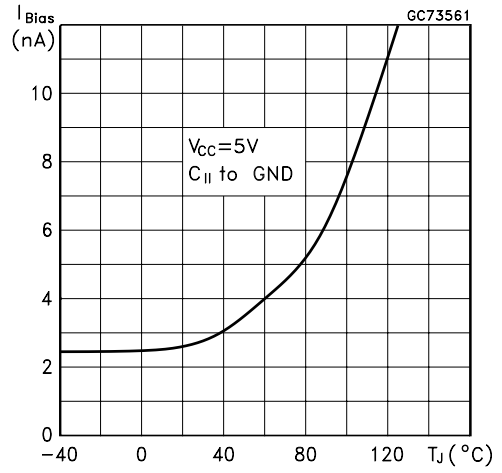


TYPICAL ELECTRICAL CHARACTERISTICS (Continued)

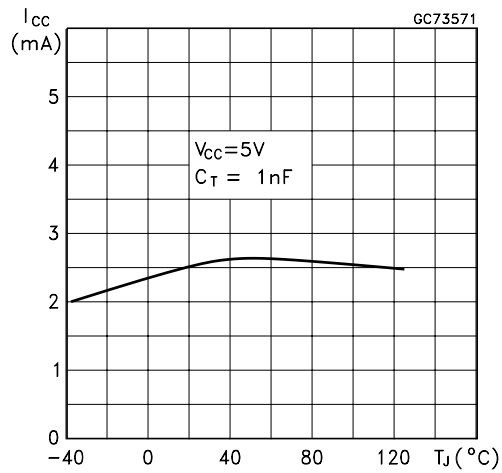
Reference Voltage vs Temperature



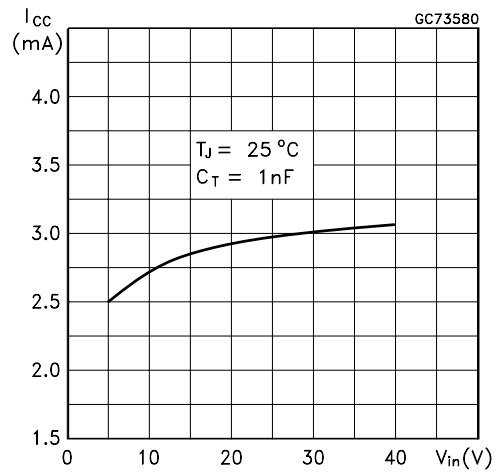
Bias Current vs Temperature



Supply Current vs Temperature

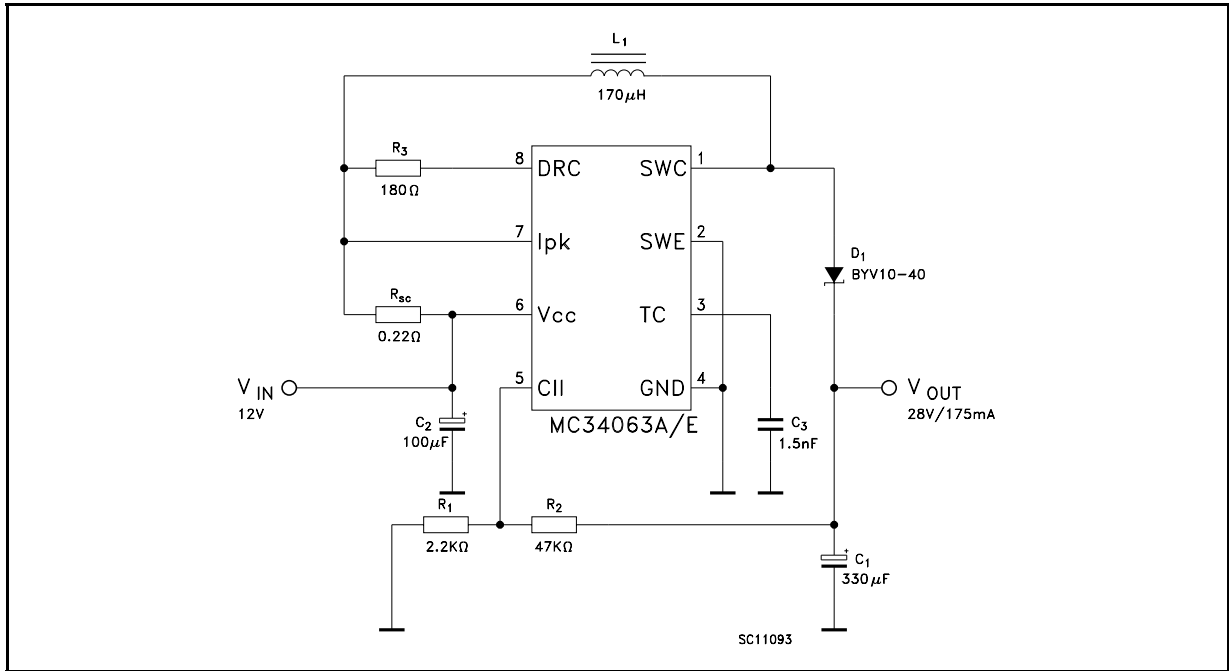


Supply Current vs Input Voltage

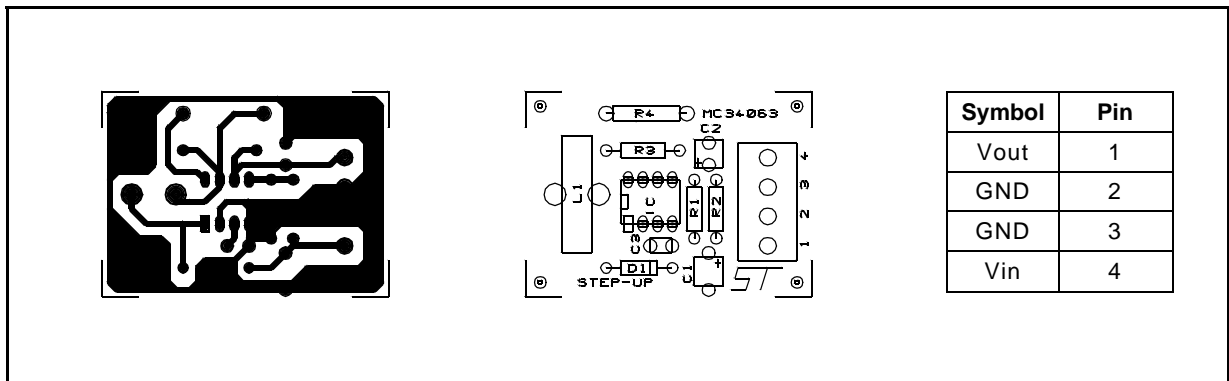


TYPICAL APPLICATION CIRCUIT

Step-Up Converter



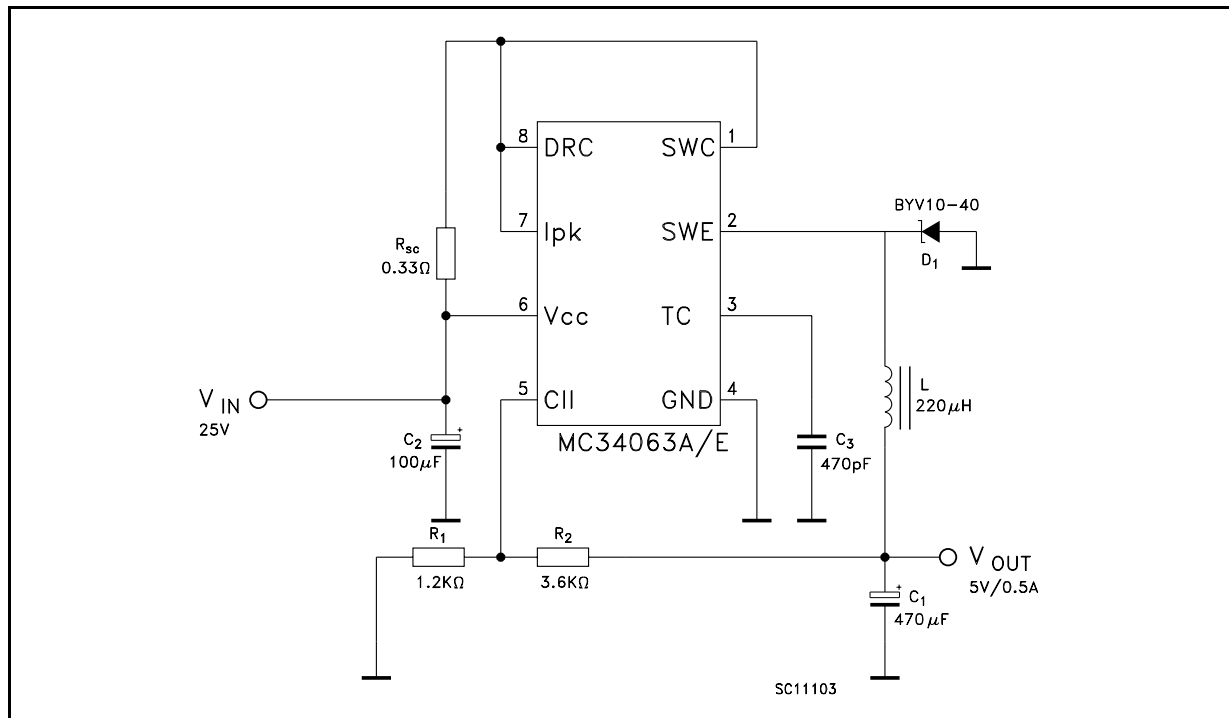
Printed Demoboard



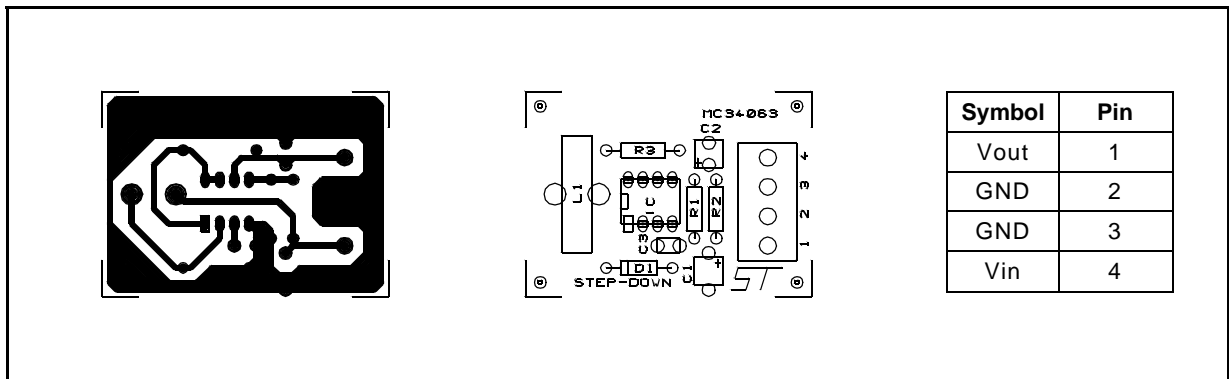
Test Condition ($V_{OUT} = 28V$)

| Test | Conditions | Value (Typ.) | Unit |
|-----------------|--|--------------|------|
| Line Regulation | $V_{IN} = 8 \text{ to } 16V$, $I_O = 175 \text{ mA}$ | 30 | mV |
| Load Regulation | $V_{IN} = 12V$, $I_O = 75 \text{ to } 175 \text{ mA}$ | 10 | mV |
| Output Ripple | $V_{IN} = 12V$, $I_O = 175 \text{ mA}$ | 300 | mV |
| Efficiency | $V_{IN} = 12V$, $I_O = 175 \text{ mA}$ | 89 | % |

Step-Down Converter



Printed Demoboard

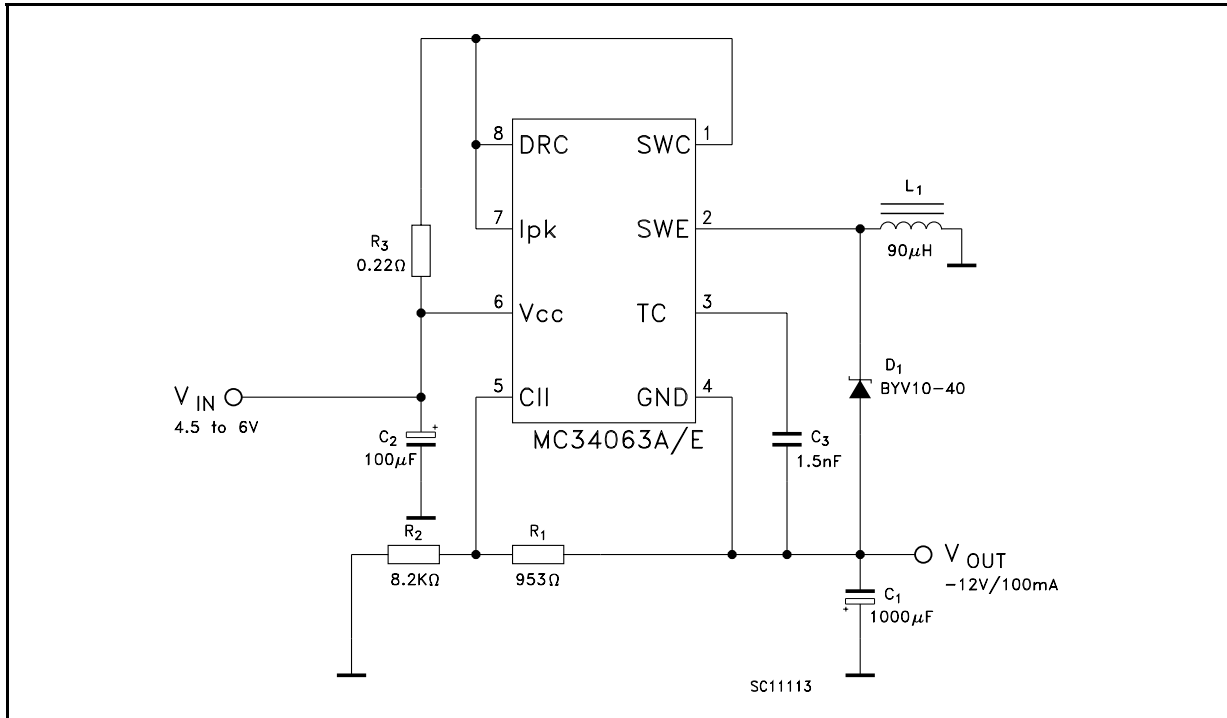


Test Condition ($V_{OUT} = 5V$)

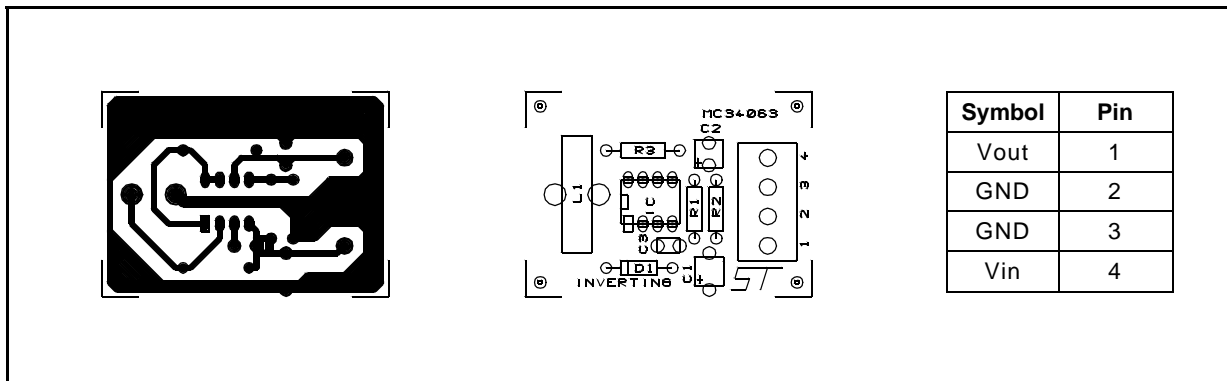
| Test | Conditions | Value (Typ.) | Unit |
|-----------------|---|--------------|------|
| Line Regulation | $V_{IN} = 15 \text{ to } 25V, I_O = 500 \text{ mA}$ | 5 | mV |
| Load Regulation | $V_{IN} = 25V, I_O = 50 \text{ to } 500 \text{ mA}$ | 30 | mV |
| Output Ripple | $V_{IN} = 25V, I_O = 500 \text{ mA}$ | 100 | mV |
| Efficiency | $V_{IN} = 25V, I_O = 500 \text{ mA}$ | 80 | % |
| Isc | $V_{IN} = 25V, R_{LOAD} = 0.1\Omega$ | 1.2 | A |

MC34063A/E

Voltage Inverting Converter



Printed Demoboard



Test Condition ($V_{OUT} = -12V$)

| Test | Conditions | Value (Typ.) | Unit |
|-----------------|---|--------------|------|
| Line Regulation | $V_{IN} = 4.5$ to $6V$, $I_O = 100$ mA | 15 | mV |
| Load Regulation | $V_{IN} = 5V$, $I_O = 10$ to 100 mA | 20 | mV |
| Output Ripple | $V_{IN} = 5V$, $I_O = 100$ mA | 230 | mV |
| Efficiency | $V_{IN} = 5V$, $I_O = 100$ mA | 58 | % |
| I_{sc} | $V_{IN} = 5V$, $R_{LOAD} = 0.1\Omega$ | 0.9 | A |

Calculation

| Parameter | Step-Up (Discontinuous mode) | Step-Down (Continuous mode) | Voltage Inverting (Discontinuous mode) |
|----------------------------|--|--|--|
| t_{on}/t_{off} | $\frac{V_{out} + V_F - V_{in(min)}}{V_{in(min)} - V_{sat}}$ | $\frac{V_{out} + V_F}{V_{in(min)} - V_{sat} - V_{out}}$ | $\frac{ V_{out} + V_F}{V_{in} - V_{sat}}$ |
| $(t_{on} + t_{off})_{max}$ | $1/f_{min}$ | $1/f_{min}$ | $1/f_{min}$ |
| C_T | $4.5 \times 10^{-5} t_{on}$ | $4.5 \times 10^{-5} t_{on}$ | $4.5 \times 10^{-5} t_{on}$ |
| $I_{PK(switch)}$ | $2I_{out(max)} [(t_{on}/t_{off}) + 1]$ | $2I_{out(max)}$ | $2I_{out(max)} [(t_{on}/t_{off}) + 1]$ |
| R_{sc} | $0.3/I_{PK(switch)}$ | $0.3/I_{PK(switch)}$ | $0.3/I_{PK(switch)}$ |
| C_o | $\cong \frac{I_{out} t_{on}}{V_{ripple(p-p)}}$ | $\frac{I_{PK(switch)} (t_{on} + t_{off})}{8V_{ripple(p-p)}}$ | $\cong \frac{I_{out} t_{on}}{V_{ripple(p-p)}}$ |
| $L(min)$ | $\frac{V_{in(min)} - V_{sat}}{I_{PK(switch)}} t_{on(max)}$ | $\frac{V_{in(min)} - V_{sat} - V_{out}}{I_{PK(switch)}} t_{on(max)}$ | $\frac{V_{in(min)} - V_{sat}}{I_{PK(switch)}} t_{on(max)}$ |

NOTES:

V_{sat} = Saturation voltage of the output switch

V_F = Forward voltage drop of the output rectifier

THE FOLLOWING POWER SUPPLY CHARACTERISTICS MUST BE CHOSEN:

V_{in} = Nominal input voltage

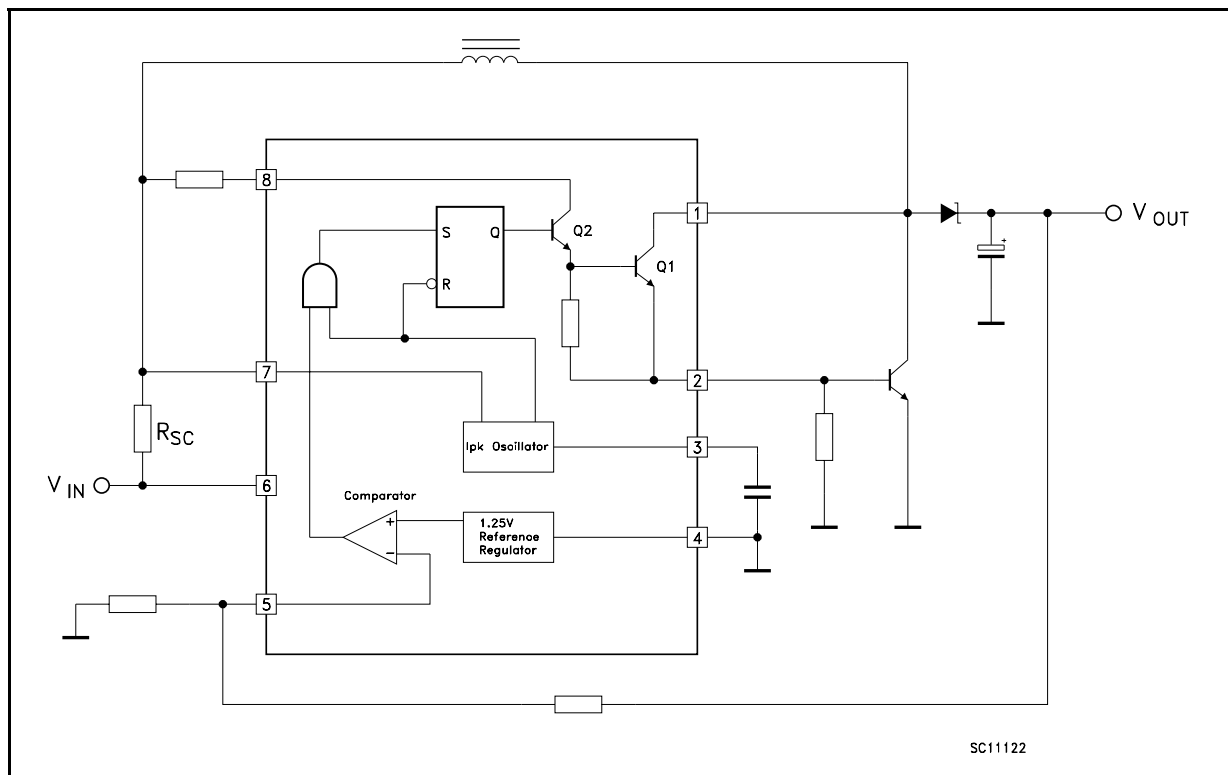
V_{out} = Desired output voltage, $|V_{out}| = 1.25(1 + R_2/R_1)$

I_{out} = Desired output current

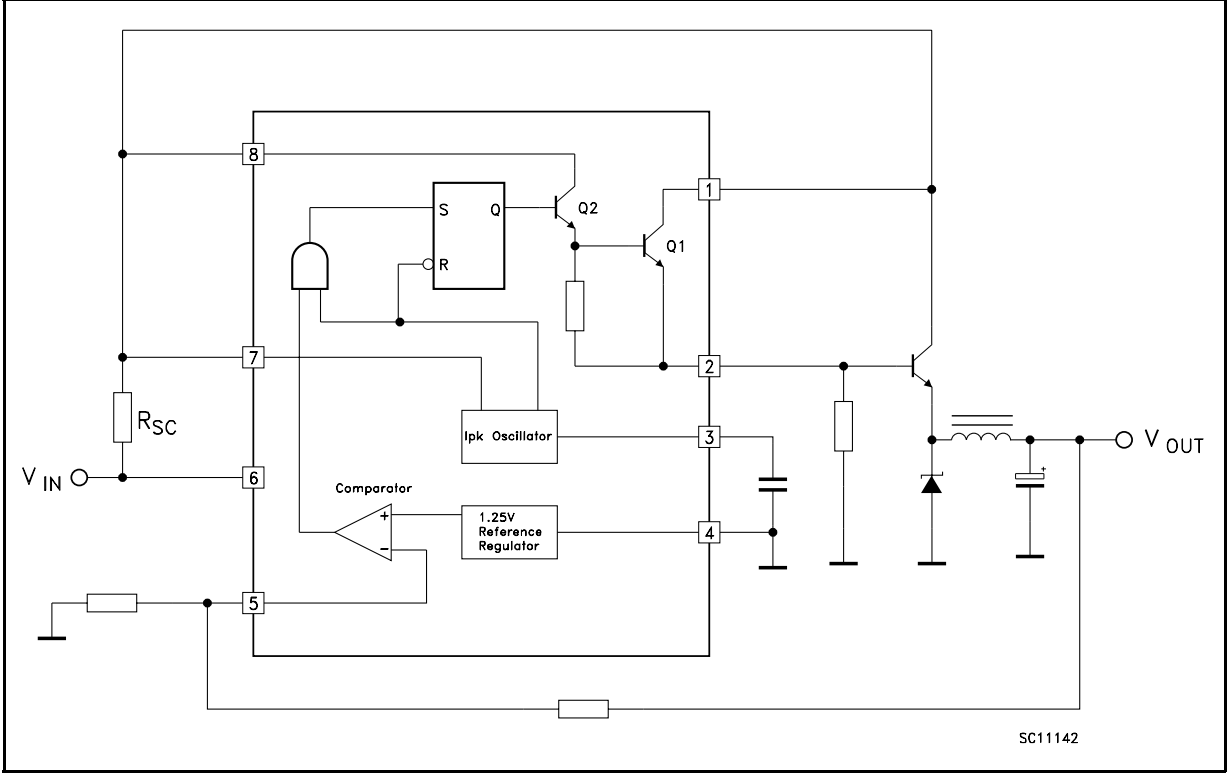
f_{min} = Minimum desired output switching frequency at the selected values of V_{in} and I_o

V_{ripple} = Desired peak to peak output ripple voltage. In practice, the calculated capacitor value will need to be increased due to its equivalent series resistance and board layout. The ripple voltage should be kept to a low value since it will directly affect the line and load regulation.

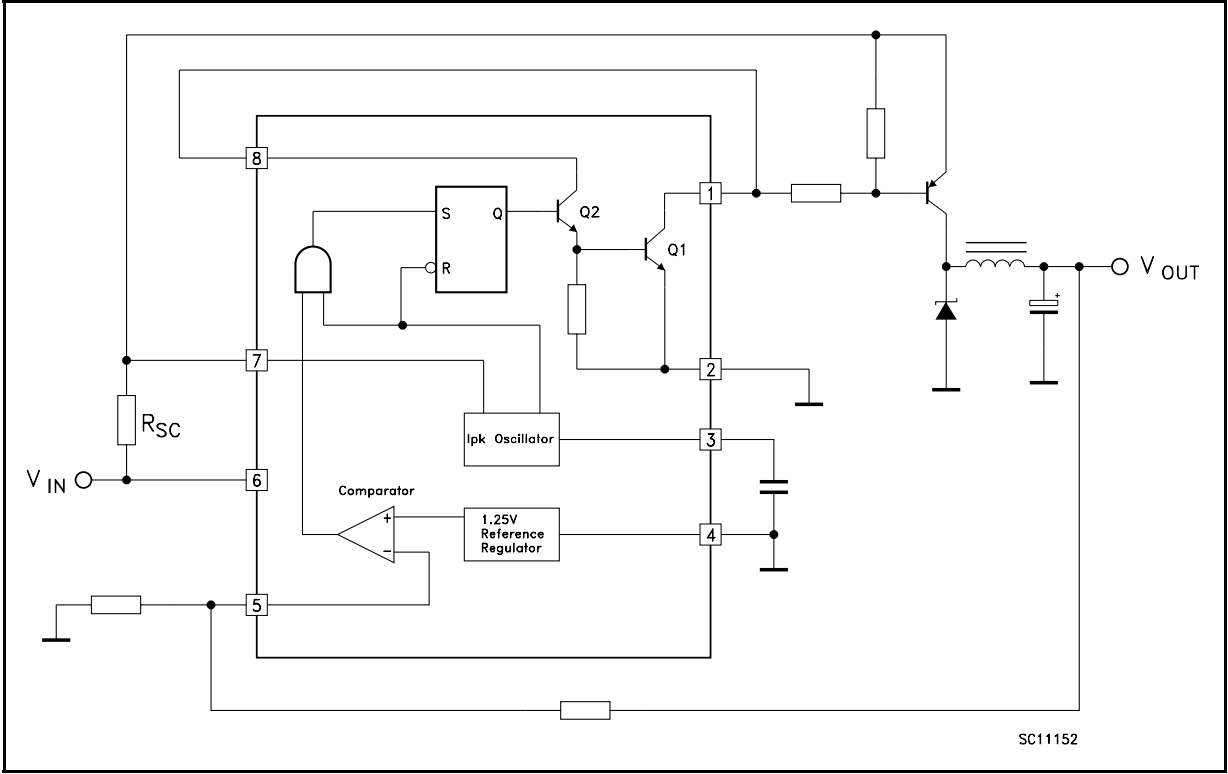
Step-up With External NPN Switch



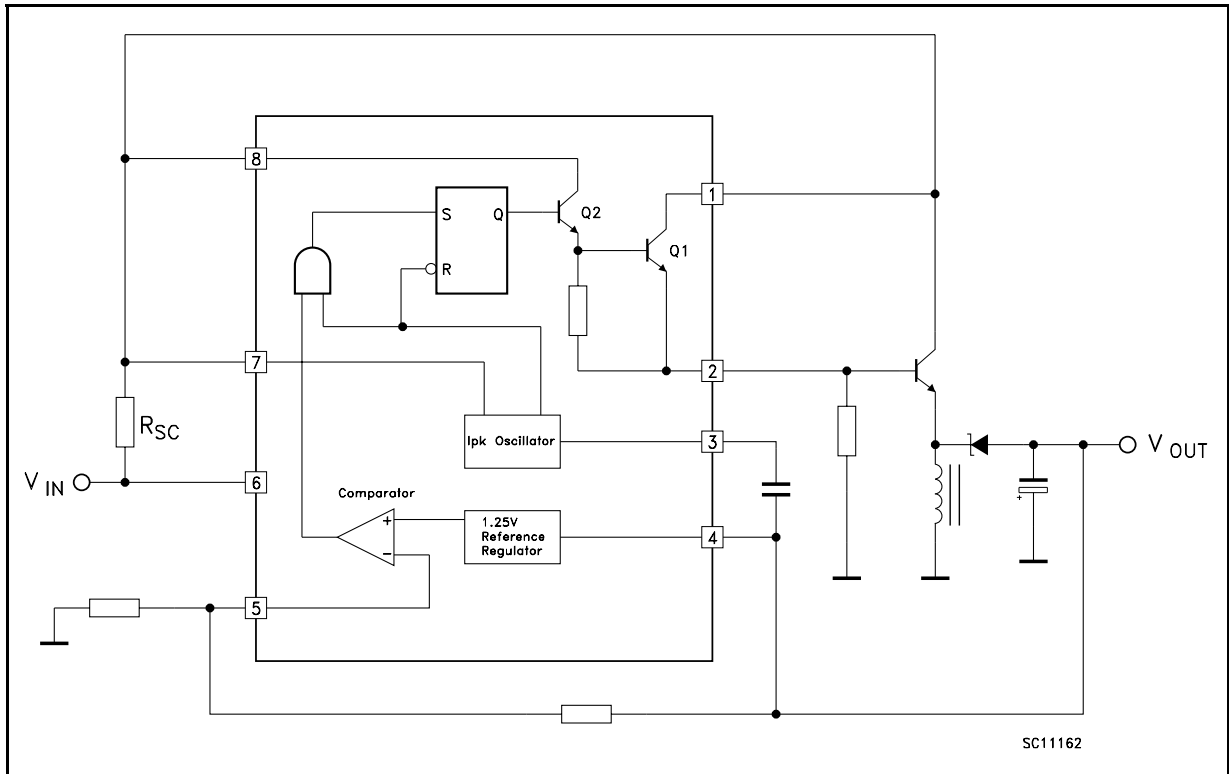
Step-down With External NPN Switch



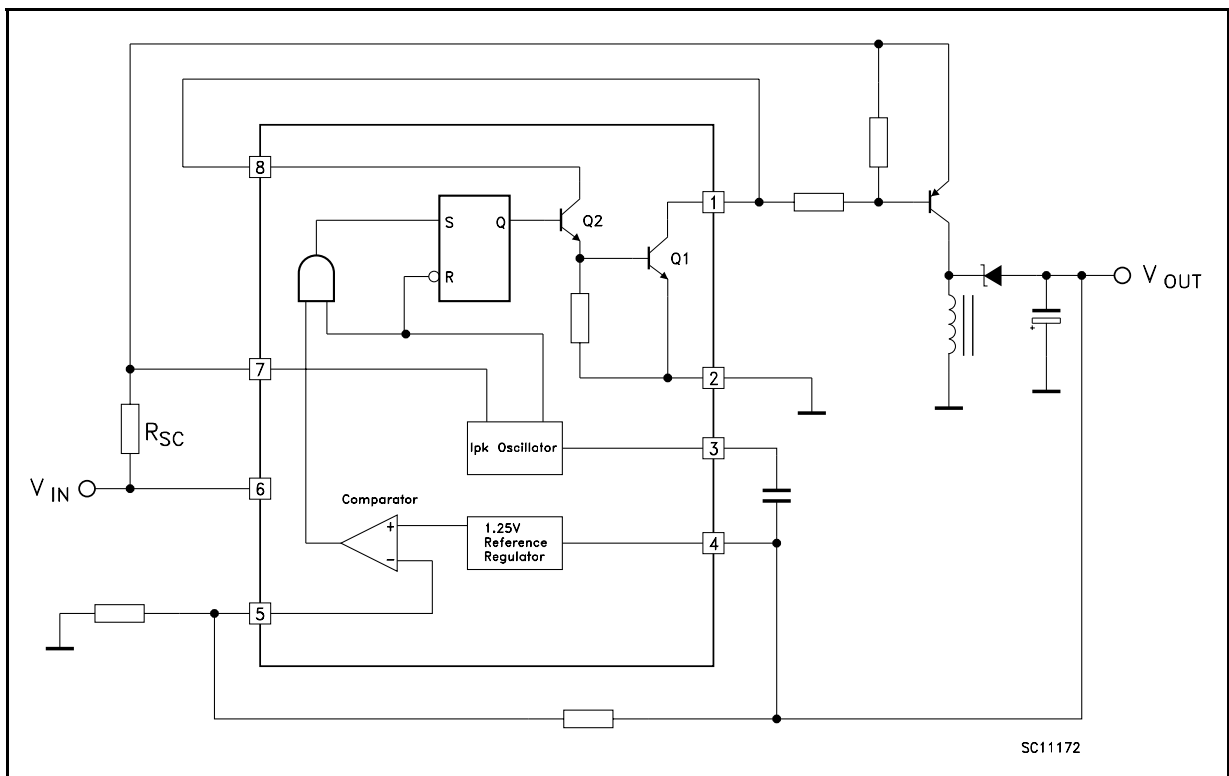
Step-down With External PNP Switch



Voltage Inverting With External NPN Switch

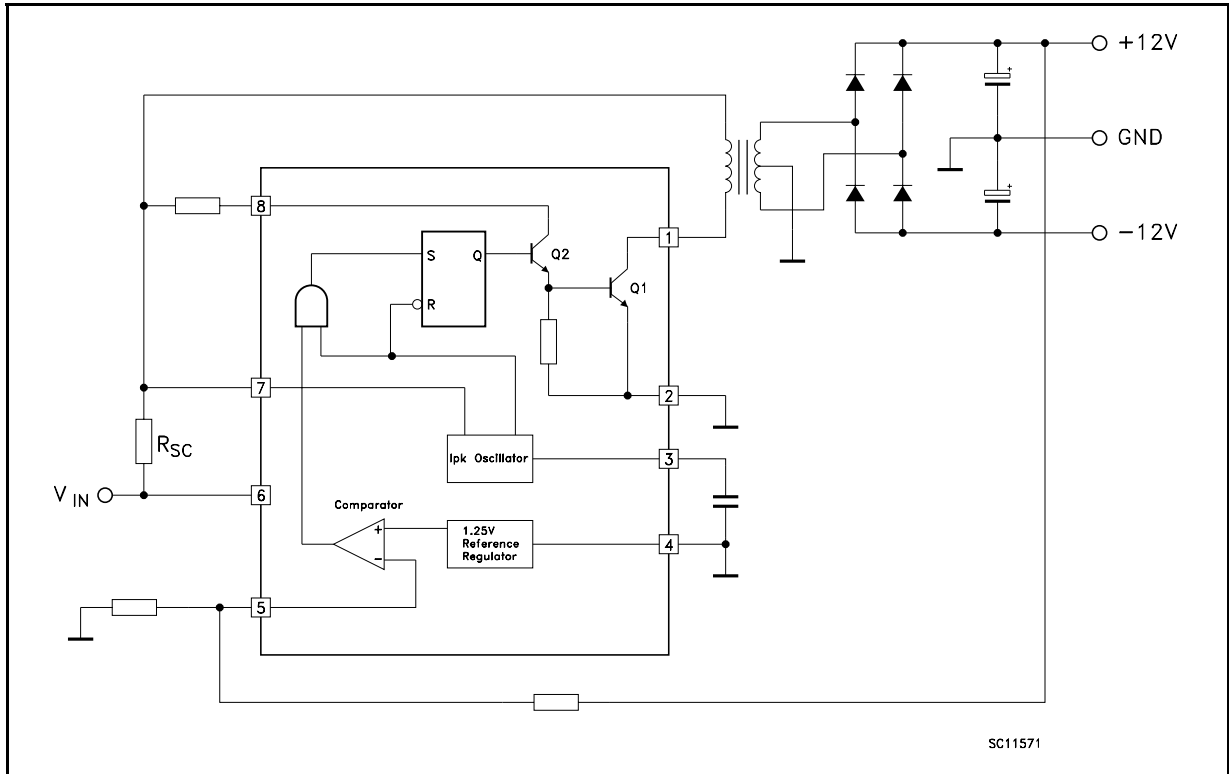


Voltage Inverting With External PNP Saturated Switch

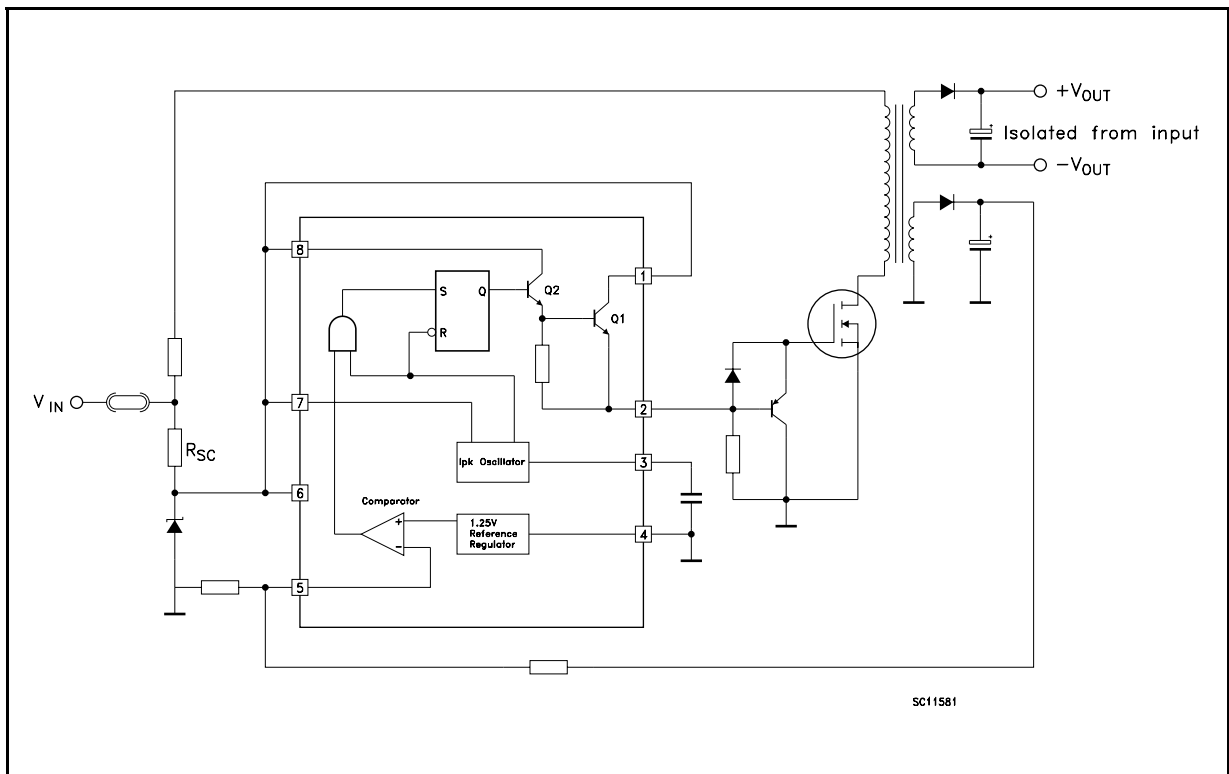


MC34063A/E

Dual Output Voltage

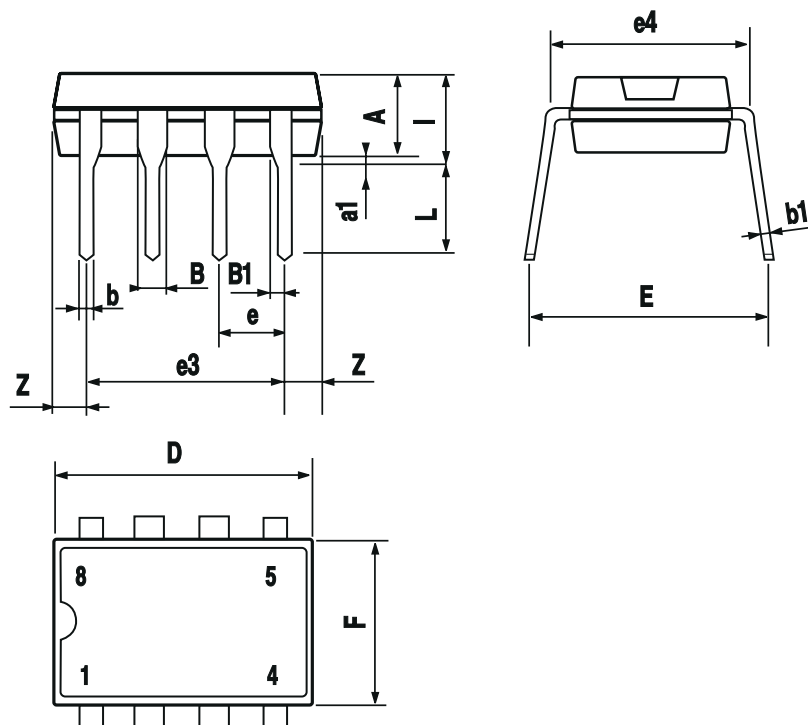


Higher Output Power, Higher Input Voltage



Plastic DIP-8 MECHANICAL DATA

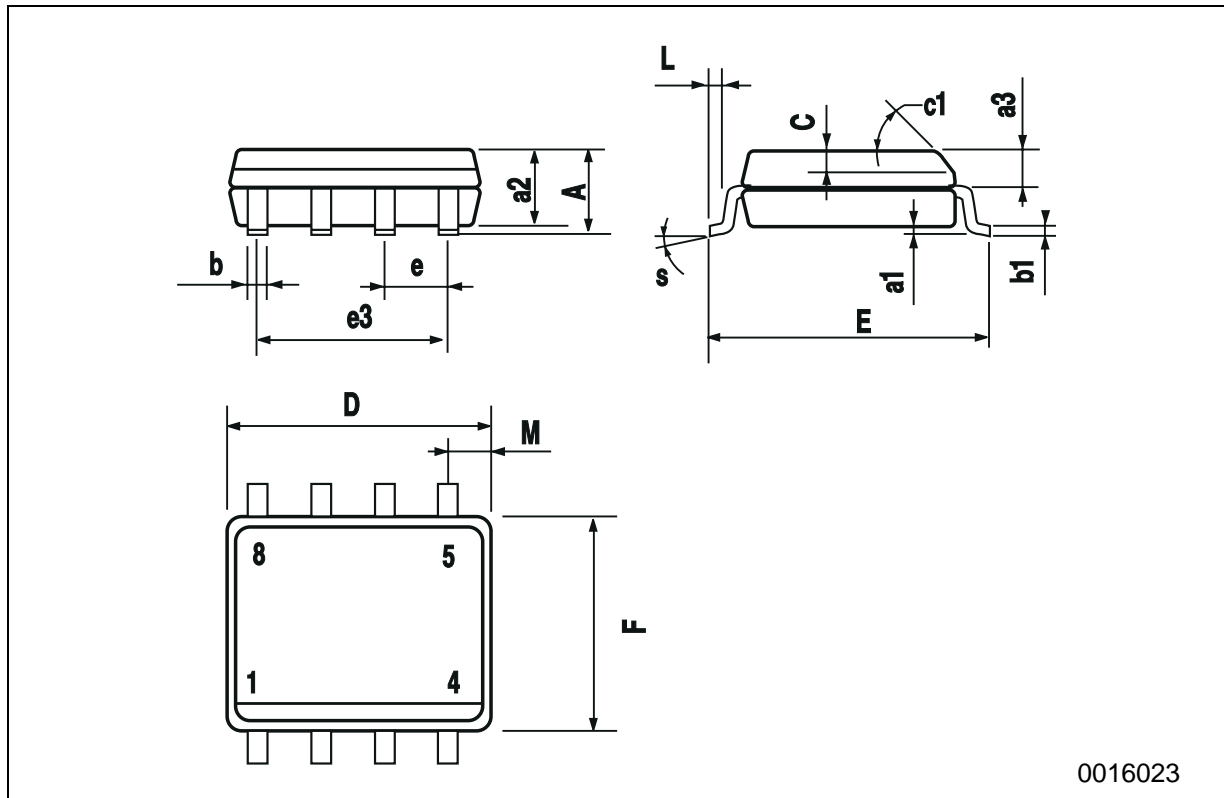
| DIM. | mm | | | inch | | |
|------|------|------|------|-------|-------|-------|
| | MIN. | TYP. | MAX. | MIN. | TYP. | MAX. |
| A | | 3.3 | | | 0.130 | |
| a1 | 0.7 | | | 0.028 | | |
| B | 1.39 | | 1.65 | 0.055 | | 0.065 |
| B1 | 0.91 | | 1.04 | 0.036 | | 0.041 |
| b | | 0.5 | | | 0.020 | |
| b1 | 0.38 | | 0.5 | 0.015 | | 0.020 |
| D | | | 9.8 | | | 0.386 |
| E | | 8.8 | | | 0.346 | |
| e | | 2.54 | | | 0.100 | |
| e3 | | 7.62 | | | 0.300 | |
| e4 | | 7.62 | | | 0.300 | |
| F | | | 7.1 | | | 0.280 |
| I | | | 4.8 | | | 0.189 |
| L | | 3.3 | | | 0.130 | |
| Z | 0.44 | | 1.6 | 0.017 | | 0.063 |



P001F

SO-8 MECHANICAL DATA

| DIM. | mm | | | inch | | |
|------|-----------|------|------|-------|-------|-------|
| | MIN. | TYP. | MAX. | MIN. | TYP. | MAX. |
| A | | | 1.75 | | | 0.068 |
| a1 | 0.1 | | 0.25 | 0.003 | | 0.009 |
| a2 | | | 1.65 | | | 0.064 |
| a3 | 0.65 | | 0.85 | 0.025 | | 0.033 |
| b | 0.35 | | 0.48 | 0.013 | | 0.018 |
| b1 | 0.19 | | 0.25 | 0.007 | | 0.010 |
| C | 0.25 | | 0.5 | 0.010 | | 0.019 |
| c1 | 45 (typ.) | | | | | |
| D | 4.8 | | 5.0 | 0.188 | | 0.196 |
| E | 5.8 | | 6.2 | 0.228 | | 0.244 |
| e | | 1.27 | | | 0.050 | |
| e3 | | 3.81 | | | 0.150 | |
| F | 3.8 | | 4.0 | 0.14 | | 0.157 |
| L | 0.4 | | 1.27 | 0.015 | | 0.050 |
| M | | | 0.6 | | | 0.023 |
| S | 8 (max.) | | | | | |



0016023

Information furnished is believed to be accurate and reliable. However, STMicroelectronics assumes no responsibility for the consequences of use of such information nor for any infringement of patents or other rights of third parties which may result from its use. No license is granted by implication or otherwise under any patent or patent rights of STMicroelectronics. Specification mentioned in this publication are subject to change without notice. This publication supersedes and replaces all information previously supplied. STMicroelectronics products are not authorized for use as critical components in life support devices or systems without express written approval of STMicroelectronics.

The ST logo is a registered trademark of STMicroelectronics

© 2001 STMicroelectronics – Printed in Italy – All Rights Reserved

STMicroelectronics GROUP OF COMPANIES

Australia - Brazil - China - Finland - France - Germany - Hong Kong - India - Italy - Japan - Malaysia - Malta - Morocco
Singapore - Spain - Sweden - Switzerland - United Kingdom - U.S.A.

<http://www.st.com>