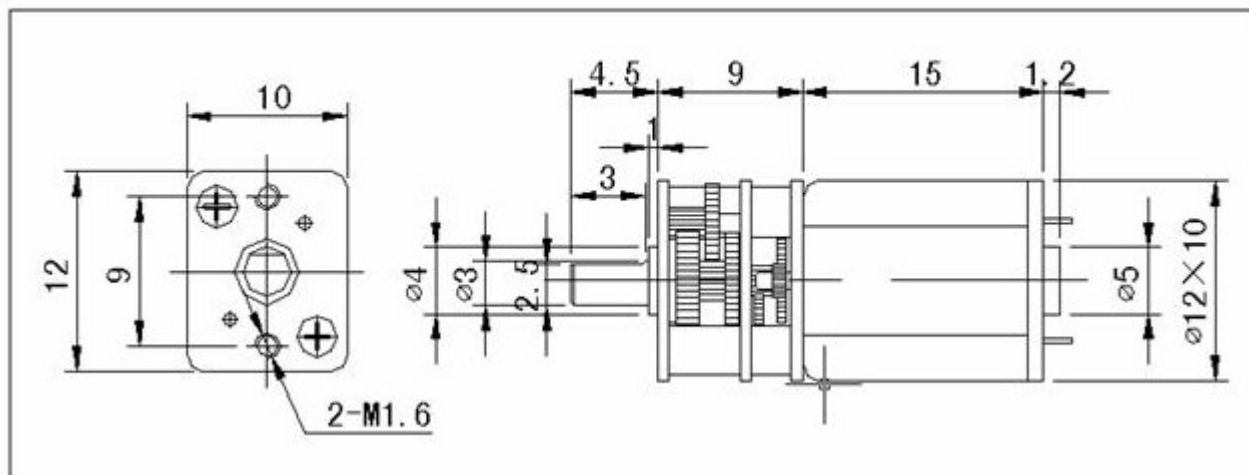


SEED TECHNOLOGY INC (SEEDUINO)
Gear (reduction) motor p12 6V 60RPM
Model: MOT102A2B



DIMENSIONS(Unit:Milimeter)



| VOTAGE V | NO LOAD | | At Maximum Efficiency | | | | STALL | |
|-------------|--------------|---------------|-----------------------|---------------|-----------------|---------------|-----------------|---------------|
| | Speed RPM | Current mA | Speed RPM | Current mA | Topque Kg.cm | Out put mW | Topque Kg.cm | Current mA |
| 2.4 | 55 | 30 | 40 | 350 | 0.7 | 280 | 3.0 | 500 |
| 6.0 | 70 | 70 | 52 | 450 | 1.2 | 640 | 4.0 | 700 |