



MEAN WELL

SWITCHING POWER SUPPLY

ISO-9001 CERTIFIED MANUFACTURER

MPT-65 SERIES

- .LOW COST, HIGH RELIABILITY
- .105°C OUTPUT CAPACITOR
- .INTERNATIONAL AC INPUT RANGE
- .HIGH EFFICIENCY, LOW WORKING TEMPERATURE
- .SOFT-START CIRCUIT, LIMITING AC SURGE CURRENT
- .SHORT CIRCUIT, OVERLOAD, OVER VOLTAGE PROTECTED
- .COMPACT SIZE, LIGHT WEIGHT
- .100% FULL LOAD BURN-IN TEST
- .BUILT IN EMI FILTER, LOW RIPPLE NOISE

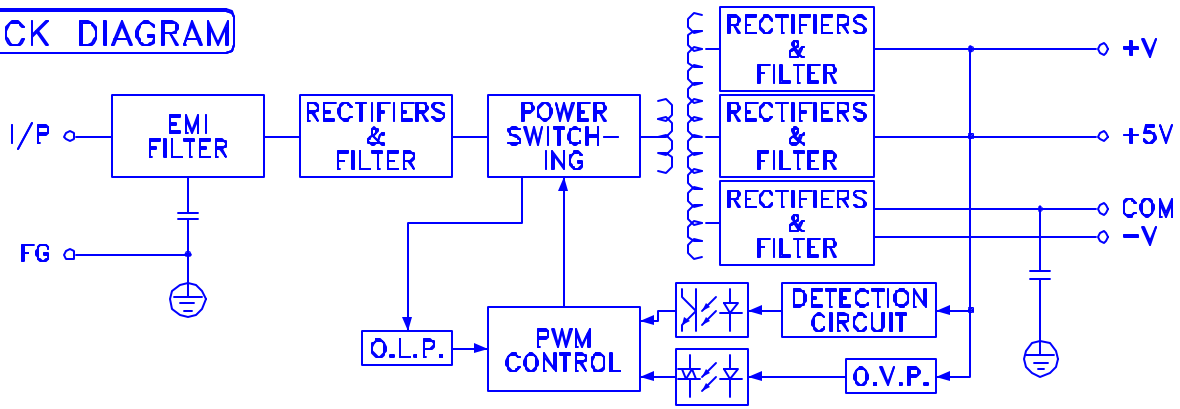


SPECIFICATION	MPT-65A			MPT-65B			MPT-65C		
	CH1	CH2	CH3	CH1	CH2	CH3	CH1	CH2	CH3
DC OUTPUT VOLTAGE	5V	12V	-5V	5V	12V	-12V	5V	15V	-15V
OUTPUT V. TOLERANCE	±4%	+10,-7%	±5%	±4%	+10,-7%	±5%	±4%	+10,-7%	±5%
OUTPUT RATED CURRENT	5.5A	2.5A	0.5A	5.5A	2.5A	0.5A	5.5A	2A	0.5A
OUTPUT MIN. RANGE	0.4A	0.2A	0A	0.4A	0.2A	0A	0.4A	0.2A	0A
OUTPUT MAX. RANGE	7A	3.2A	0.7A	7A	3.2A	0.7A	7A	2.6A	0.7A
RIPPLE & NOISE (Vp-p)	60m	120m	60m	60m	160m	100m	60m	180m	100m
LINE REGULATION	±1%	±2%	±1%	±1%	±2%	±1%	±1%	±2%	±1%
LOAD REGULATION	±3%	±4%	±1%	±3%	±4%	±1%	±3%	±4%	±1%
RATED OUTPUT POWER	60W			63.5W			65W		
MAXIMUM OUTPUT POWER	72W WITH 18 CFM MIN. FORCED AIR CONVECTION								
EFFICIENCY	74%			74%			74%		
DC VOLTAGE ADJ.	CH1:±10%			CH1:±10%			CH1:±10%		
INPUT VOLTAGE RANGE	90-264VAC 47-440Hz ; 127-370VDC								
AC CURRENT	1.6A/115V 1A/230V								
INRUSH CURRENT	COLD START 20A/115V 40A/230V								
LEAKAGE CURRENT	<0.3mA/264VAC								
OVERLOAD PROTECTION	73-95W TYPE:PULSING HICCUP SHUTDOWN RESET:AUTO RECOVERY								
OVER VOLTAGE PROTECTION	5.75-6.75VDC ON CH1								
TEMP. COEFFICIENT	±0.04% / °C (0-50°C) ON +5V OUTPUT								
SETUP,RISE,HOLD UP TIME	800ms, 20ms, 20ms/230VAC 800ms, 20ms, 12ms/115VAC								
VIBRATION	10-500Hz, 2G 3AXES 10min. / 1cycle (1 HOUR / EACH AXES)								
WITHSTAND VOLTAGE	I/P-O/P:4KVAC I/P-FG:1.5KVAC O/P-FG:0.5KVAC 1min.								
ISOLATION RESISTANCE	I/P-O/P,I/P-FG,O/P-FG:500VDC / 100M Ohms								
WORKING TEMP., HUMIDITY	-10°C~+60°C(REFER TO OUTPUT DERATING CURVE), 20%-90% RH								
STORAGE TEMP., HUMIDITY	-20°C~+85°C, 10%-95% RH								
DIMENSION	127*76.2*42mm (L*W*H) PCB ONLY								
WEIGHT	0.28Kgs								
SAFETY STANDARDS	UL2601-1, EN60601-1 APPROVED								
EMC STANDARDS	CISPR11 (EN55011), IEC61000-4-2,3,4,5,6,8,11 IEC61000-3-2,3 EN60601-1-2 VERIFICATION								

- NOTE :
- 1.ALL PARAMETERS ARE SPECIFIED AT 230VAC INPUT, RATED LOAD, 25°C 70% RH. AMBIENT.
 - 2.TOLERANCE INCLUDE SET UP TOLERANCE, LINE REGULATION, LOAD REGULATION.
 - 3.RIPPLE & NOISE ARE MEASURED AT 20MHz BY USING A 12" TWISTED PAIR TERMINATED WITH A 0.1uF & 47uF CAPACITOR.
 - 4.LINE REGULATION IS MEASURED FROM LOW LINE TO HIGH LINE AT RATED LOAD.
 - 5.MOUNTING HOLES M1 AND M2 SHOULD BE GROUNDED FOR EMI PURPOSES.

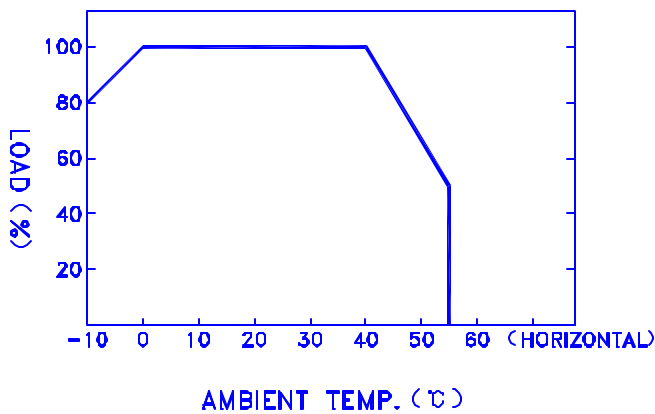
2002-04-29

BLOCK DIAGRAM

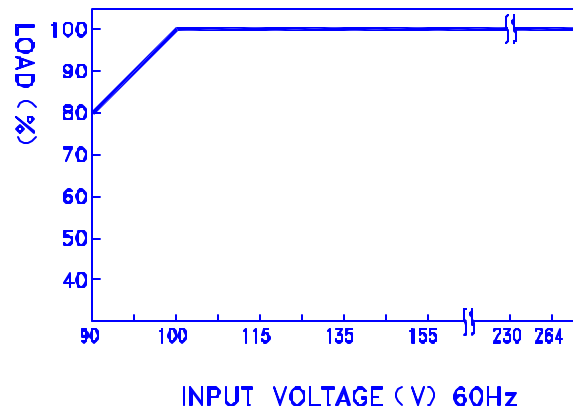


fosc : 45KHz

OUTPUT DERATING



STATIC CHARACTERISTICS



DIMENSION (mm)

☒ TERMINAL PIN NO. ASSIGNMENT

☒ CN1 : MOLEX 5277-02

PIN 1,2 : AC INPUT

☒ CN2 : MOLEX 5273-06

☒ PIN 1 : DC OUTPUT +V

☒ PIN 2,3 : DC OUTPUT +5V

☒ PIN 4,5 : DC OUTPUT COM

☒ PIN 6 : DC OUTPUT -V

☒ MATING CONNECTORS

☒ CN1,2 MATING CONNECTOR TYPE MOLEX 5195 AND 5239 SERIES OR EQUIVALENT WITH MOLEX 5194 AND 5225 OR EQUIVALENT CRIMP TERMINALS.

