

MX6-5 lenses for Cree MX-6 LEDs



- Lens material optical grade PMMA with high UV and temperature resistance (105°C/220°F)
- High optical efficiency, >85%
- No lens holder. Snap-fitting of the lens to customer's heat sink. For detailed mounting information, please look at the drawing
- Diameter 35.5 mm (MR11)

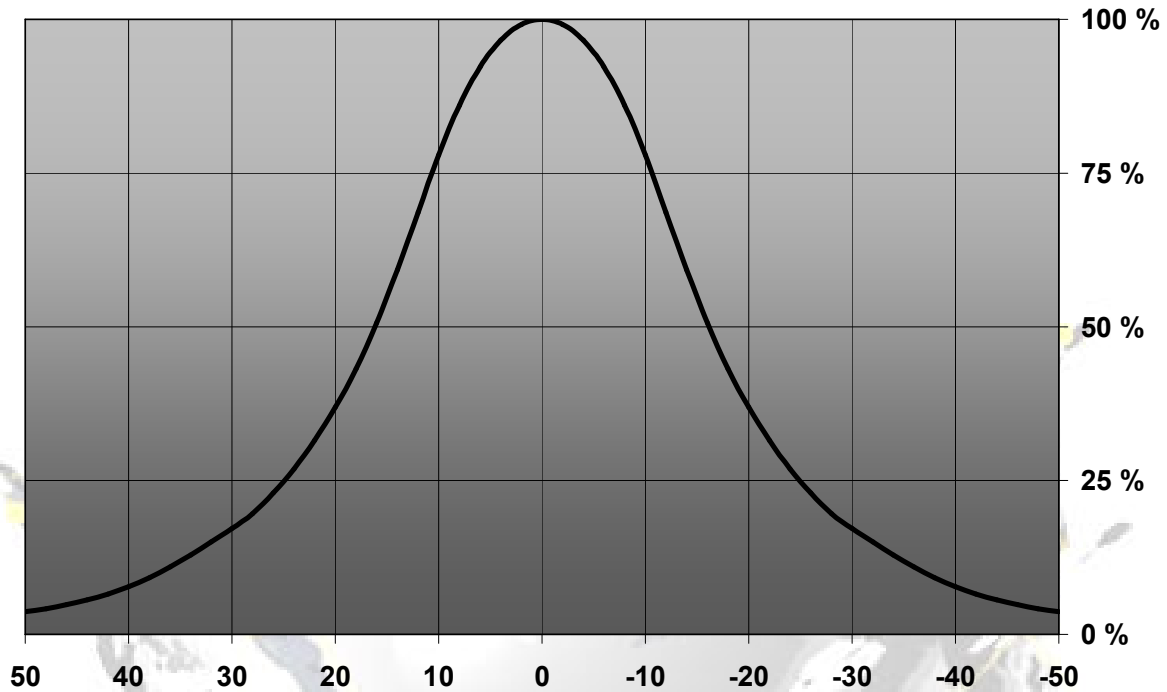
LENS TYPES

NAME	ORDERING CODE	FWHM Angle
MX6-5 Medium	C10472_MX6-5-M-Low	±16°
MX6-5 Wide	C10814_MX6-5-W	±18°

© Ledil Oy – PRELIMINARY - Subject to change without prior notice

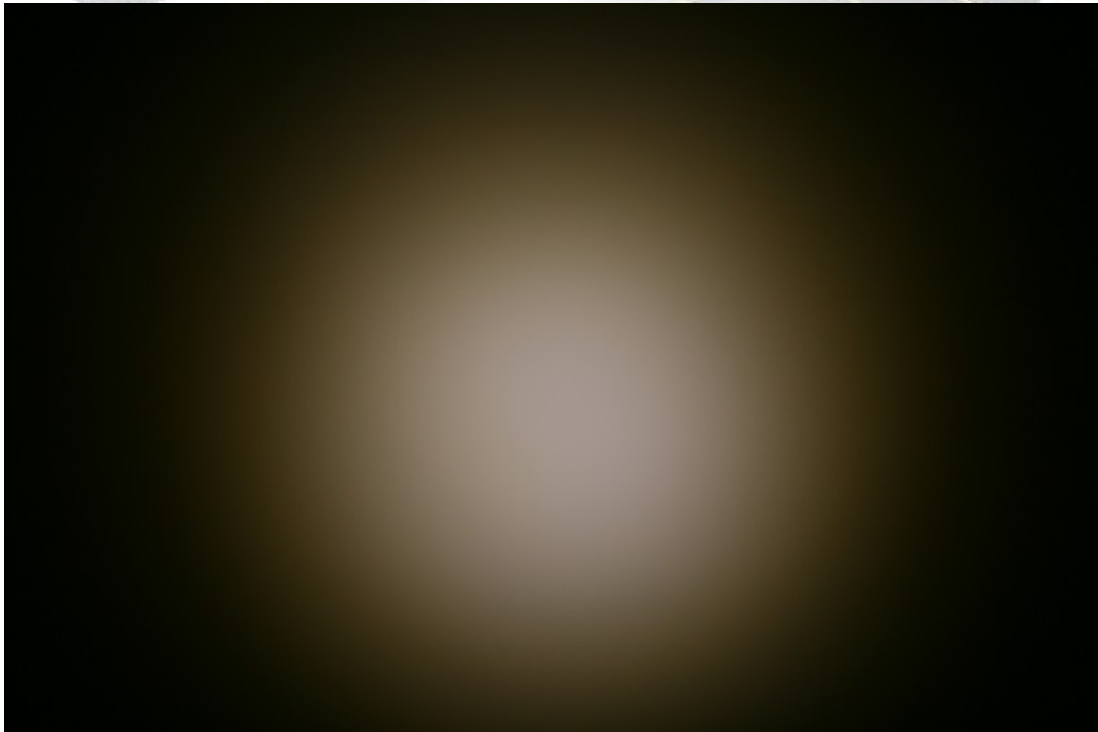
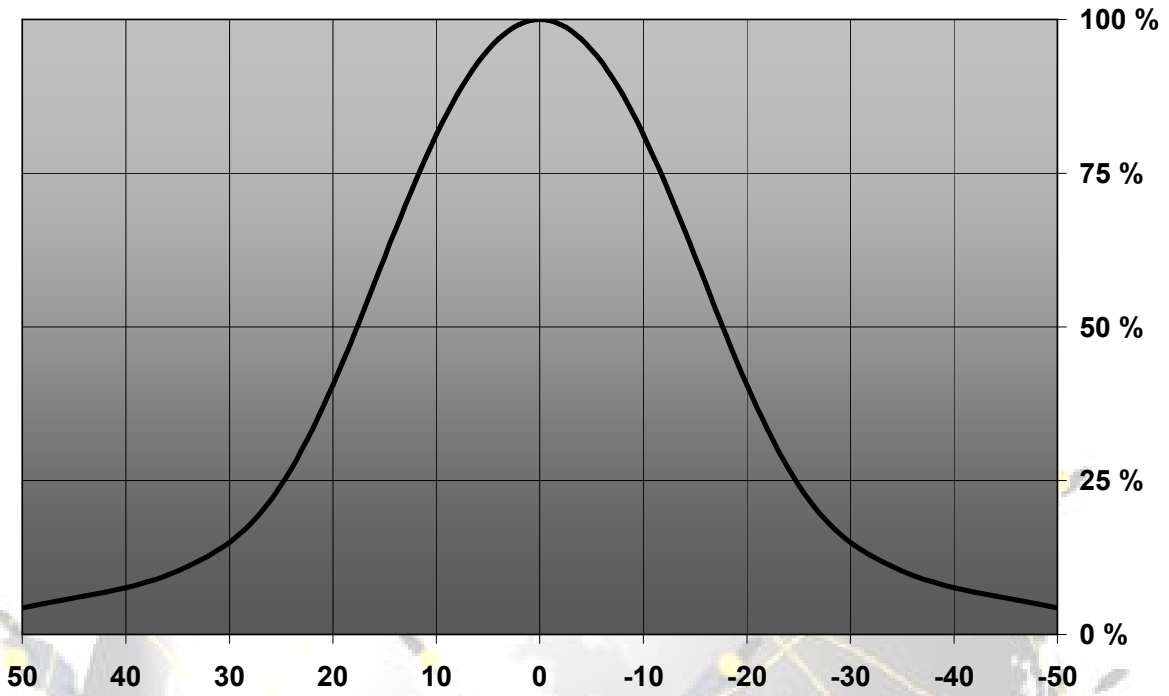
MEASUREMENT DATA

Relative Intensity of C10472_MX6-5-M



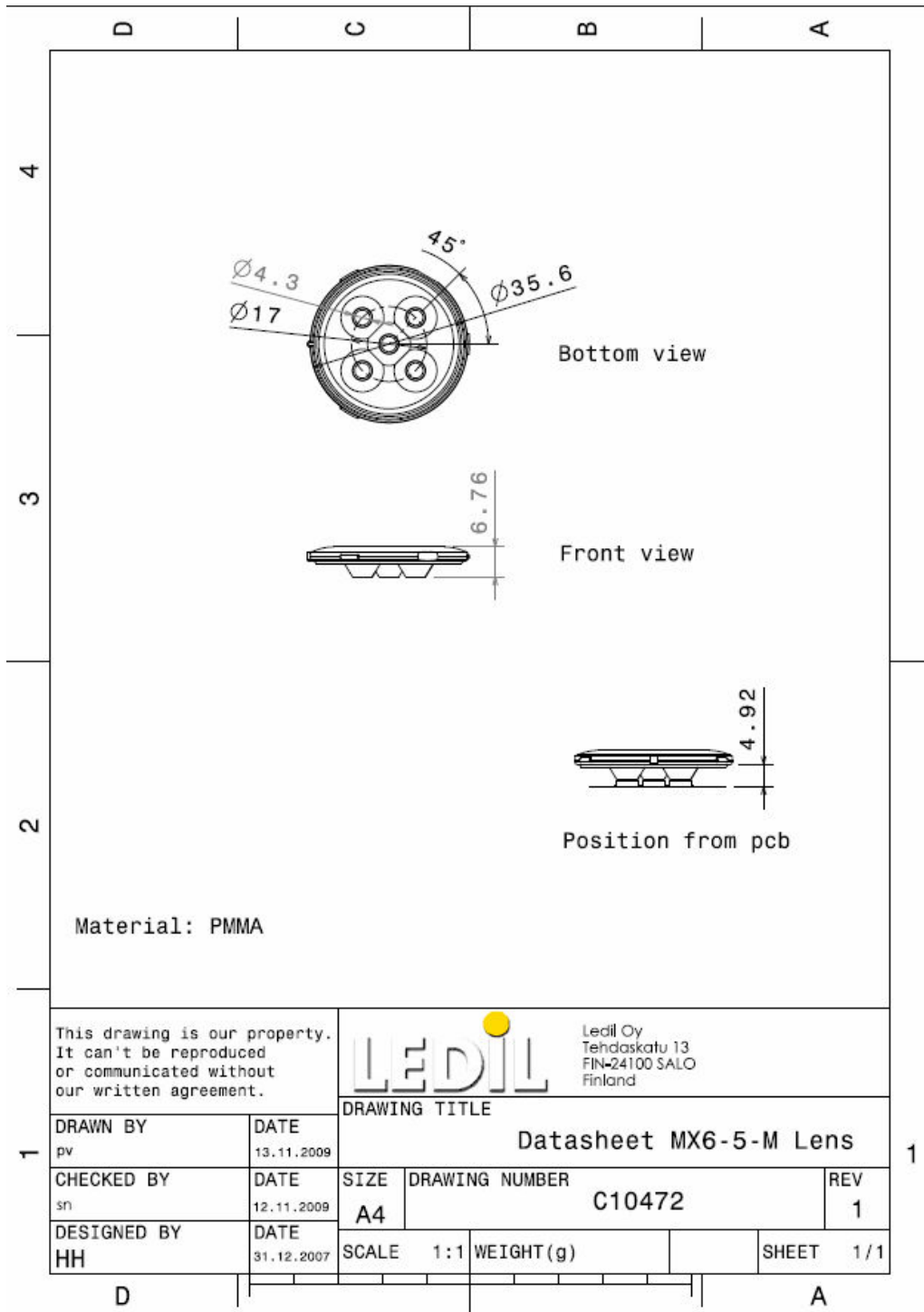
© Ledil Oy – PRELIMINARY - Subject to change without prior notice

Relative Intensity of C10814_MX6-5-W

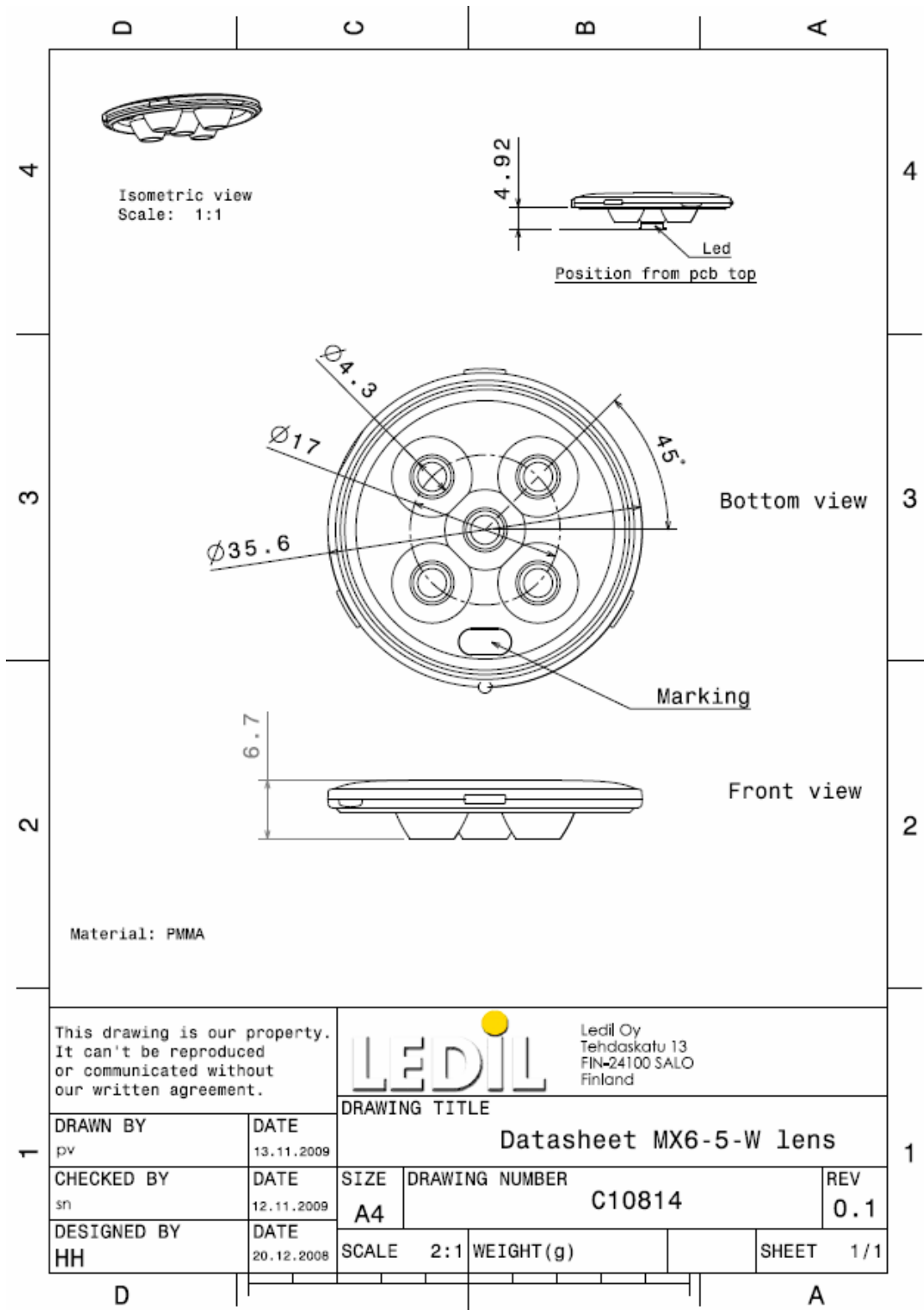


© Ledil Oy – PRELIMINARY - Subject to change without prior notice

DRAWINGS



© Ledil Oy – PRELIMINARY - Subject to change without prior notice



© Ledil Oy – PRELIMINARY - Subject to change without prior notice