



GENERAL PURPOSE RELAY

NRG52-SERIES

- Small size and light weight.
- Low coil power consumption.
- High contact load.
- Strong anti-shock high reliability.

SPECIFICATIONS

| Contact | | |
|---|---------------------|-----------|
| Arrangement | 2C □ 3C | 4C |
| Contact Material | Silver Alloy | |
| Contact Resistance (By voltage drop 6V 1A) | Max. 100mΩ | |
| Rating | | |
| Resistive load (Cos.Φ=1) | 5A 250VAC | 3A 250VAC |
| Inductive (Cos.Φ=0.75-0.8) | 5A 28VDC | 3A 28VDC |
| | 2A 250VAC | 1A 250VAC |
| Max. Allowable Voltage | 110VDC/240VAC | |
| Max. Allowable Current | 5A | 3A |
| Max. Allowable Power force | 600VA/150W | 360VA/90W |
| Referencial Min.Load | 10VDC 10mA | |
| Expected life(min.ope) | | |
| Mechanical(at 120 cpm) | 1 × 10 ⁶ | |
| Electrical (at 20 cpm) | 1 × 10 ⁵ | |

| Characteristics | | |
|---------------------------|--|--|
| Operate Time | Max.25 msec. | |
| Release Time | Max.25 msec. | |
| Operating humidity | 45 to 85% RH | |
| Initial breakdown voltage | | |
| Between coil & contact | 1500VAC (50/60Hz)for 1 Min. | |
| Between open contacts | 1000VAC (50/60Hz)for 1 Min. | |
| Insulation Resistance | Min.100MΩ (500 VDC) | |
| Ambient temperature | -40 □ ~+70 □ | |
| Shock | | |
| Functional Resistance | Min.10G | |
| Destruction Resistance | Min.100G | |
| Vibration | | |
| Functional Resistance | 10 to 55 Hz at double Amplitude of 1.5mm | |
| Destruction Resistance | 10 to 55 Hz at double Amplitude of 1.5mm | |
| Unit weight | 40g Max. | |
| Coil | | |
| Nominal operating power | 0.9W to 1.2VA | |

TYPICAL APPLICATION

1.Industrial Machines

2.Electrical Equipments

3.Air conditioner and Household appliance

ORDERING INFORMATION

NRG51 - 2 - C - 12D - P

□ □ □ □ □

- Part No.
- Contact Poles:
1 - 1 Pole, 2 - 2 Poles, 3 - 3 Poles, 4 - 4 Poles
- Contact Arrangement:
A: Normally Open B:Normally Closed C: Change-over
- Coil Voltage:
DC: 6, 12, 24, 48, 110V
AC: 6, 12, 24, 48, 110/120, 220/240VAC
- Terminal Type: P- P.C.B. Terminal
T- Plug-in F- Plug-in with Flange Cover

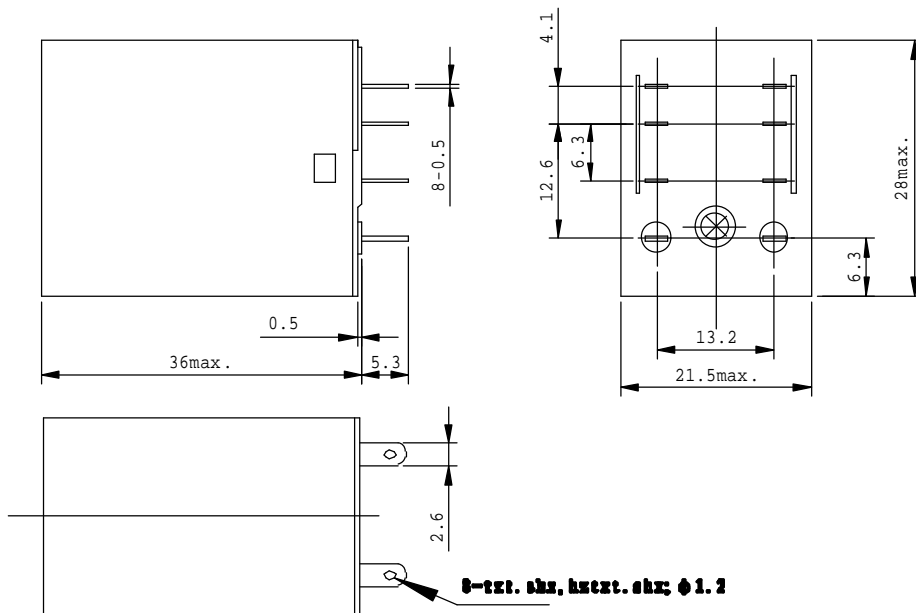
COIL DATA (at 20 °C)

| Type | Nominal Voltage (VDC) | Nominal Current (mA) | | Coil Resistance (Ω)±10% | Power Consumption (W) | Pull-in Voltage (VDC) | Drop-out Voltage (VDC) | Max.Allowable Voltage (VDC) |
|------|-----------------------|----------------------|-------|-------------------------|---------------------------------|-----------------------|------------------------|-----------------------------|
| | | 50Hz | 60Hz | | | | | |
| AC | 6 | 220 | 170 | 10 | abt. 1.0 to 1.3 VA (60Hz) | 80% Max. | 30% Min. | 110% |
| | 12 | 110 | 85 | 43 | | | | |
| | 24 | 60 | 45 | 160 | | | | |
| | 48 | 30 | 23 | 600 | | | | |
| | 110 | 14 | 12 | 3400 | | | | |
| | 120 | 13.5 | 11.5 | 3400 | | | | |
| DC | 220/240 | 6 | 5 | 13600 | abt. 0.9W | 80% Max. | 10% Min. | 110% |
| | 6 | 150 | 40 | | | | | |
| | 12 | 75 | 160 | | | | | |
| | 24 | 36.9 | 650 | | | | | |
| | 48 | 18.5 | 2600 | | | | | |
| | 110 | 10 | 11000 | | | | | |

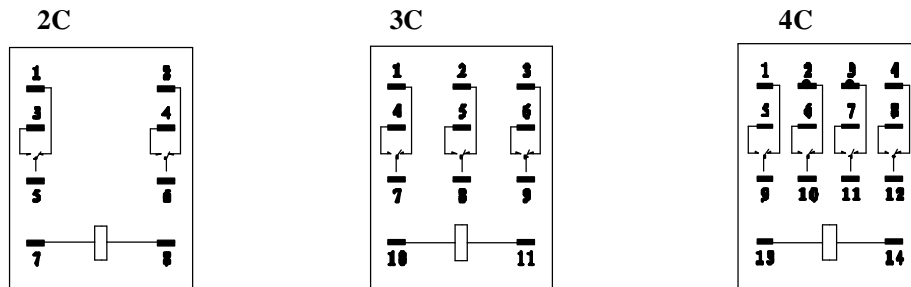
DIMENSIONS

Unit: mm

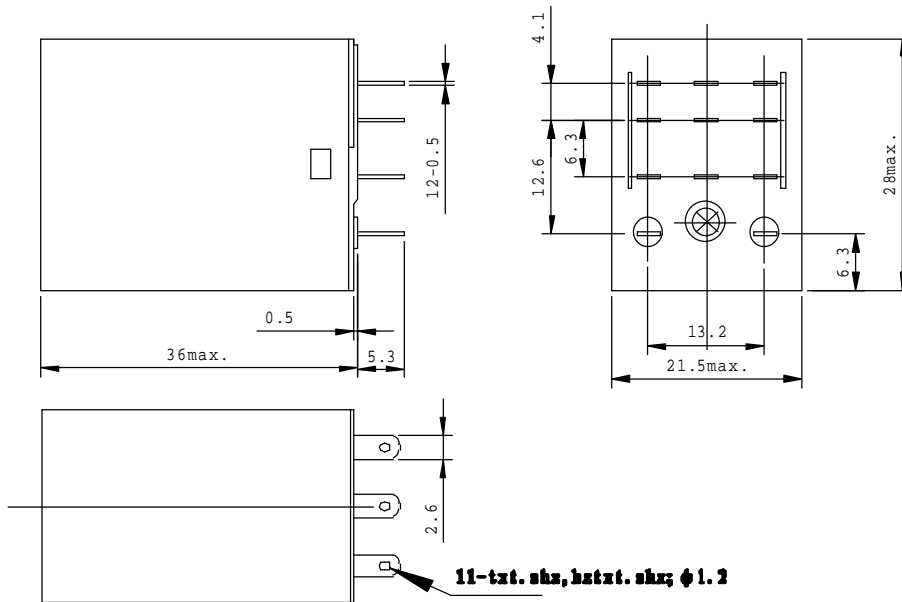
NRG52-2Pole Plug-in terminal



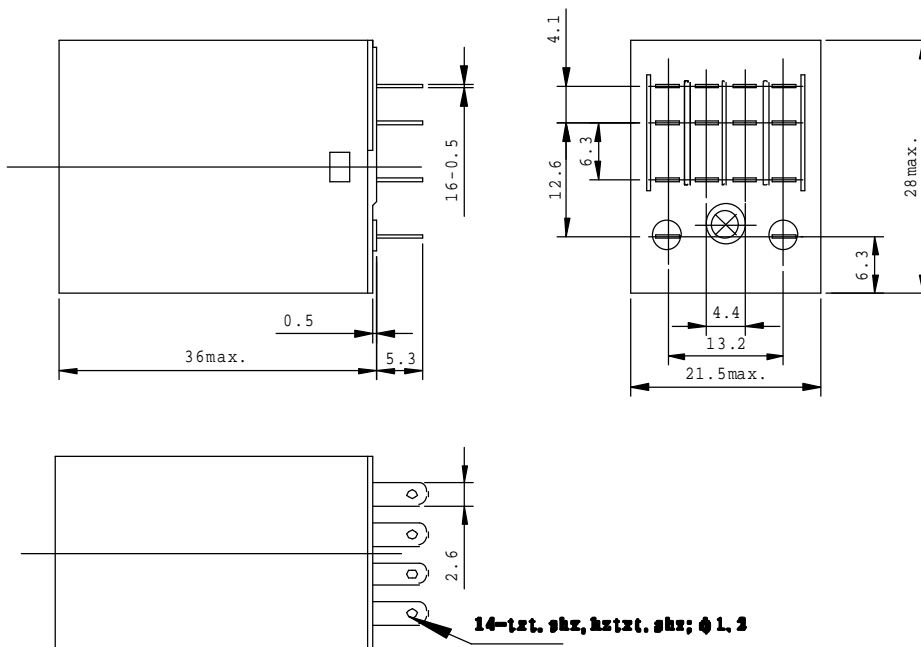
Wiring Diagram



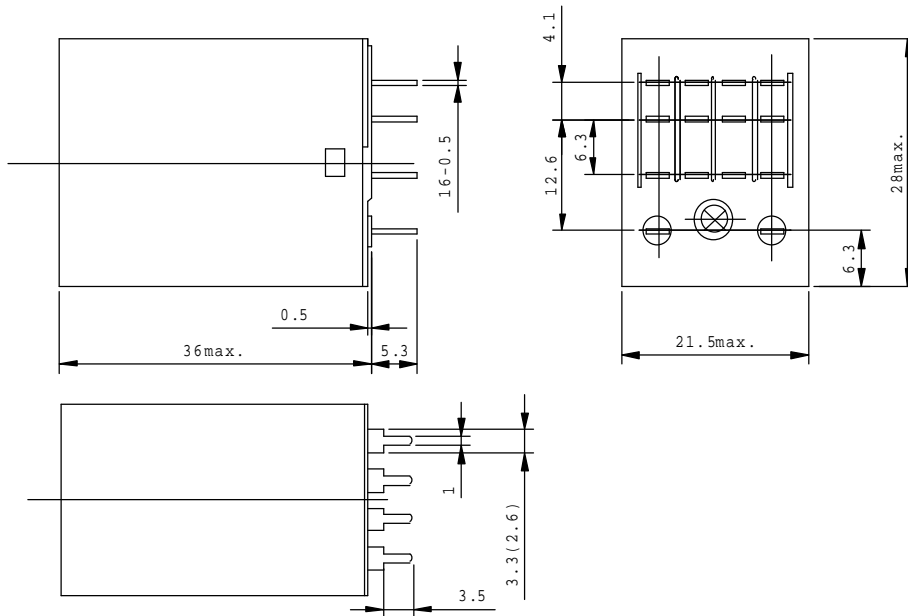
NRG52-3Pole Plug-in terminal



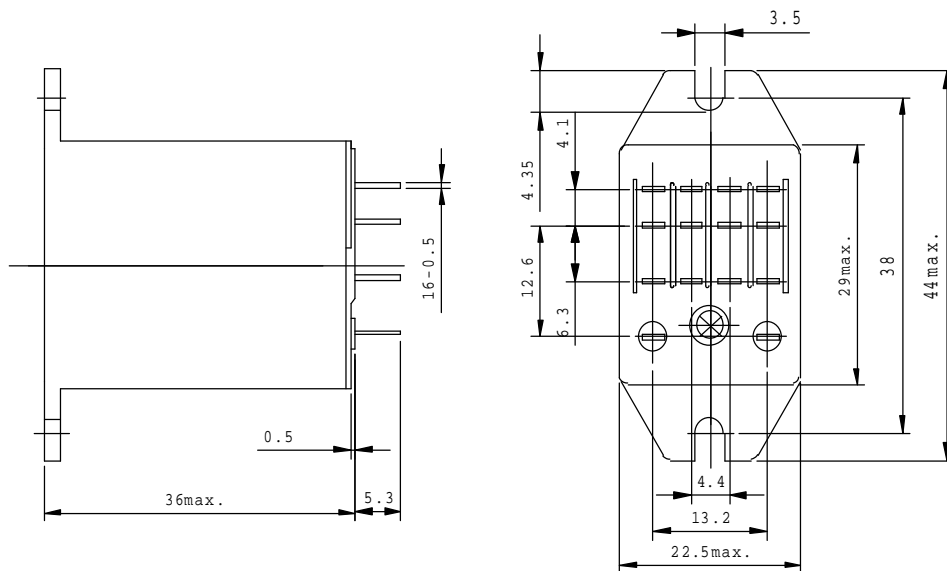
NRG52-4Pole Plug-in terminal



NRG52-2Pole P.C.B terminal
 NRG52-3Pole P.C.B terminal
 NRG52-4Pole P.C.B terminal



NRG52-2Pole Flange Case and Plug-in terminal
 NRG52-3Pole Flange Case and Plug-in terminal
 NRG52-4Pole Flange Case and Plug-in terminal



Mounting holes (Bottom view)

