

**M5 SERIES**
**P10SG-XXXXZH52 5.2 KV ISOLATED 2 W REGULATED DUAL OUTPUT DIP24**
**Available Inputs:**
**5, 12 and 24 VDC**
**Available Outputs:**
**(+/-) 3.6, 5, 7.2, 12, 15 and 18 VDC**

Other specifications please enquire.

**Electrical Specifications**

(Typical at + 25° C, nominal input voltage, rated output current unless otherwise specified)

**Input Specifications**

 Voltage range +/- 10 %  
 Filter Pi Network

**Isolation Specifications**

 Rated voltage 5200 Vdc  
 Leakage current 1 mA  
 Resistance 10<sup>9</sup> Ohm  
 Capacitance 60 pF typ.

**Output Specifications**

 Voltage accuracy +/- 2 %, max.  
 Ripple and noise (at 20 MHz BW) 75 mV p-p, max.  
 Short circuit protection Continuous , restart automatic  
 Line voltage regulation +/- 0,5 % max.  
 Load voltage regulation +/- 0,5 % max.  
 Temperature coefficient +/- 0,02 % / °C

**General Specifications**

 Efficiency 65 % to 85 %  
 Switching frequency 125 KHz, typ.

**Environmental Specifications**

 Operating temperature (ambient) -40°C to +85°C  
 Storage temperature - 55 °C to + 125 °C  
 Derating See graph  
 Humidity Up to 90 %, non condensing  
 Cooling Free air convection

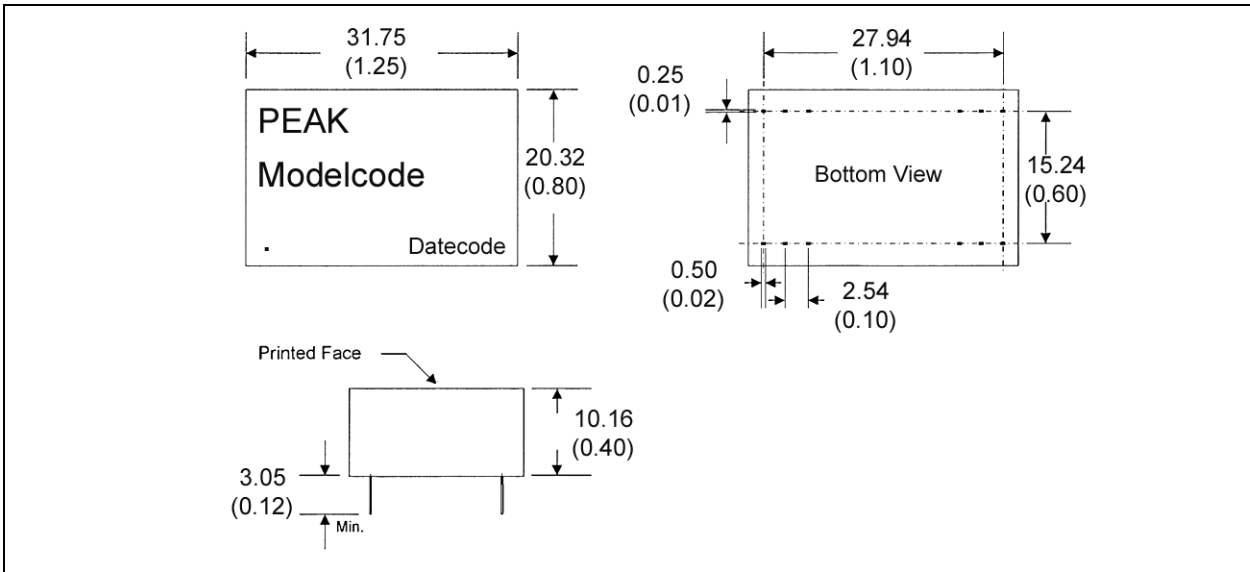
**Physical Characteristics**

 Dimensions 31,75 x 20,32 x 10,16 mm  
 1,25 x 0,80 x 0,40 inches  
 Weight 12,2 g  
 Case material Non conductive black plastic

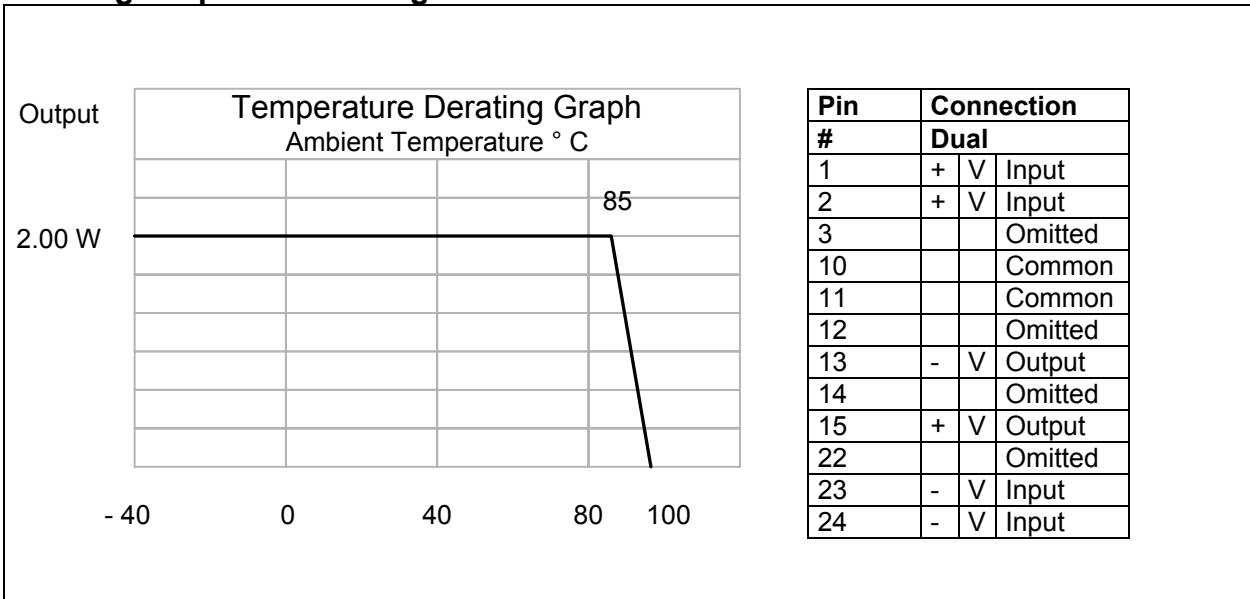
**Examples of Partnumbers/Modelcode**

PART NO.	INPUT VOLTAGE (VDC) Nominal	INPUT CURRENT NO LOAD	INPUT CURRENT FULL LOAD	OUTPUT VOLTAGE (VDC)	OUTPUT CURRENT (max. mA)	EFFICIENCY FULL LOAD (% TYP.)
P10SG-0505ZH52	5	88	615	+/- 5	+/- 200	65
P10SG-0512ZH52	5	82	606	+/- 12	+/- 83	66
P10SG-1205ZH52	12	65	252	+/- 5	+/- 200	66
P10SG-2405ZH52	24	52	128	+/- 5	+/- 200	65
P10SG-2412ZH52	24	10	121	+/- 12	+/- 83	69

**Dimensions**



**Derating Graph and Pinning**



Specification can be changed without notice.

Copyright PEAK electronics GmbH