

## Model: RBU-F419 STUBBY ANTENNA

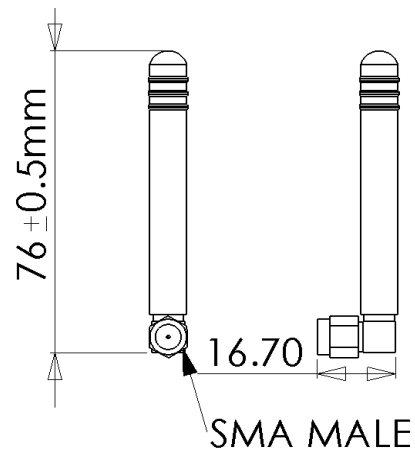
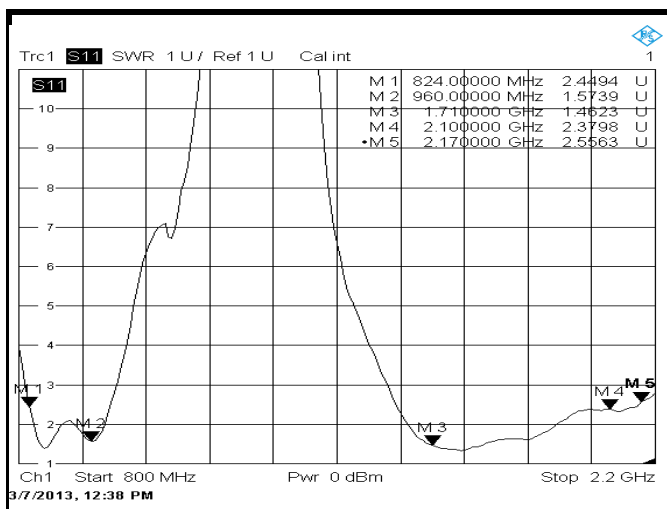
### Electrical Specifications:

Frequency Range	824-960MHz / 1710-2170MHz
VSWR	≤ 3.0
Gain	0 dBi
Impedance	50Ω±5Ω
Polarization	Vertical
Beamwidth	NA
H-PLAN	360°
E-PLAN	38°
Max. Power	1 Watt
Isolation	NA

### Mechanical Specifications:

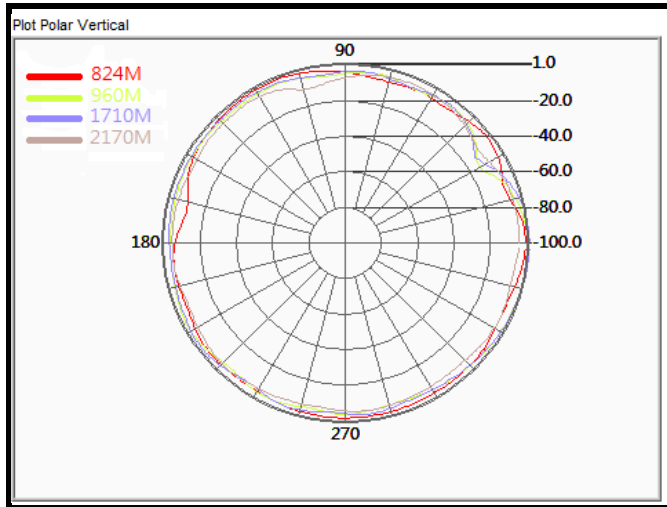
Connector	SMA MALE R/A
Cable	NA
Operation Temp.	-30°C ~ +60°C
Material-Radome	PU
Dimension (L*W*H)	Ø16.7*76 mm
Weight	10g ± 1g
RoHS compliant	Yes

### VSWR



# Radiation Pattern

## H Plane



## E Plane

