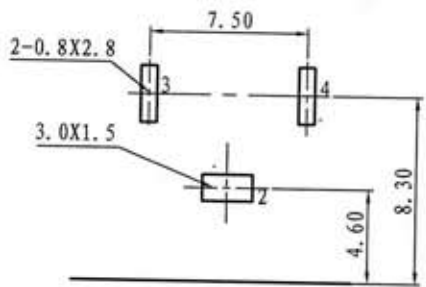
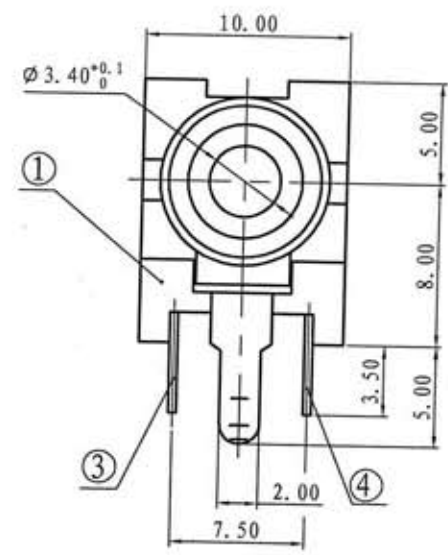
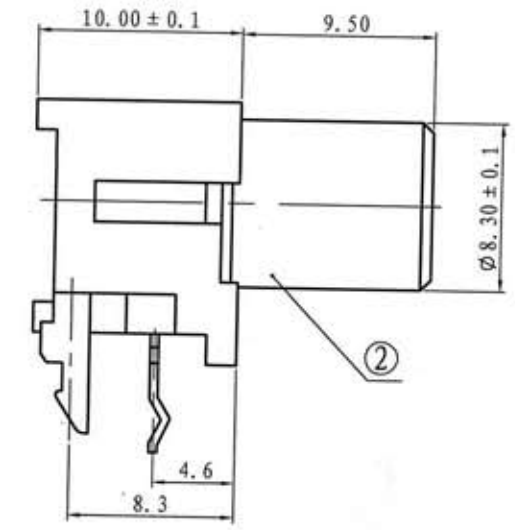
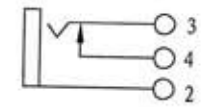


ALLOWANCE	
UNDER 3	± 0.1
3 TO 6	± 0.15
6 TO 15	± 0.2
15 TO 50	± 0.25
50 OVER	± 0.3



PCB LAYOUT



SCHEMATIC



NO:	PART NAME	MATERIAL	QTY	FINISHING
4	TERMINAL-B	BRASS t=0.4	1	Ag PLATED
3	TERMINAL-A	BRONZE t=0.4	1	Ag PLATED
2	SOCKET	BRASS t=0.4	1	CuSn PLATED
1	HOUSE	ABS 94HB	1	WHITE

MODEL NO: RCA-105C	ALLOWANCE:	DRAWN BY: [Signature] 2010.11.20
TYPE: RCA PIN JACK BOARD	UNIT: mm	CHECKED BY: [Signature] 2010.11.20
MATERIAL NO:	SCALE:	APPROVED BY: [Signature] 2010.11.20



ZHENGWEI ELECTRONIC CO., LTD