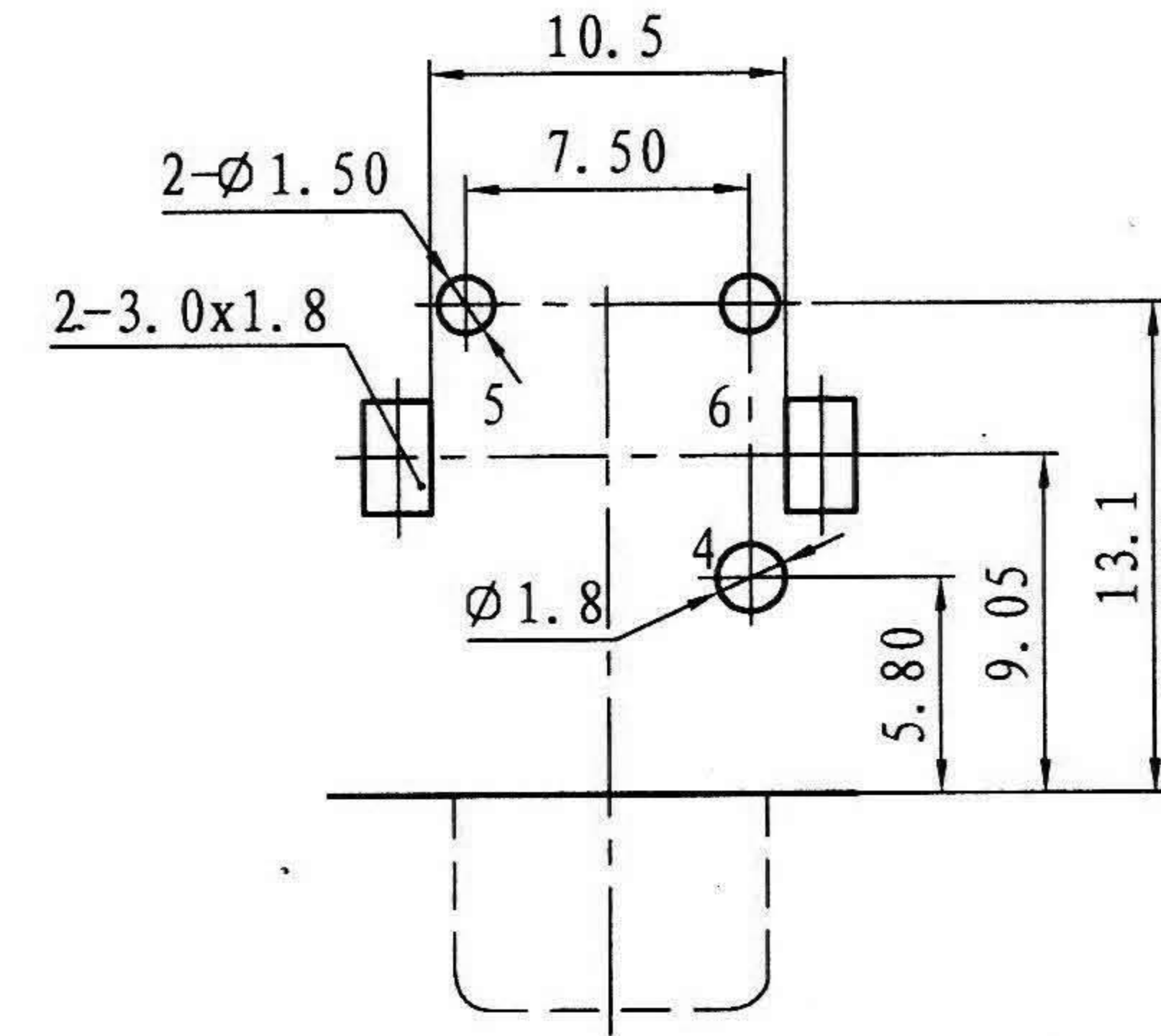
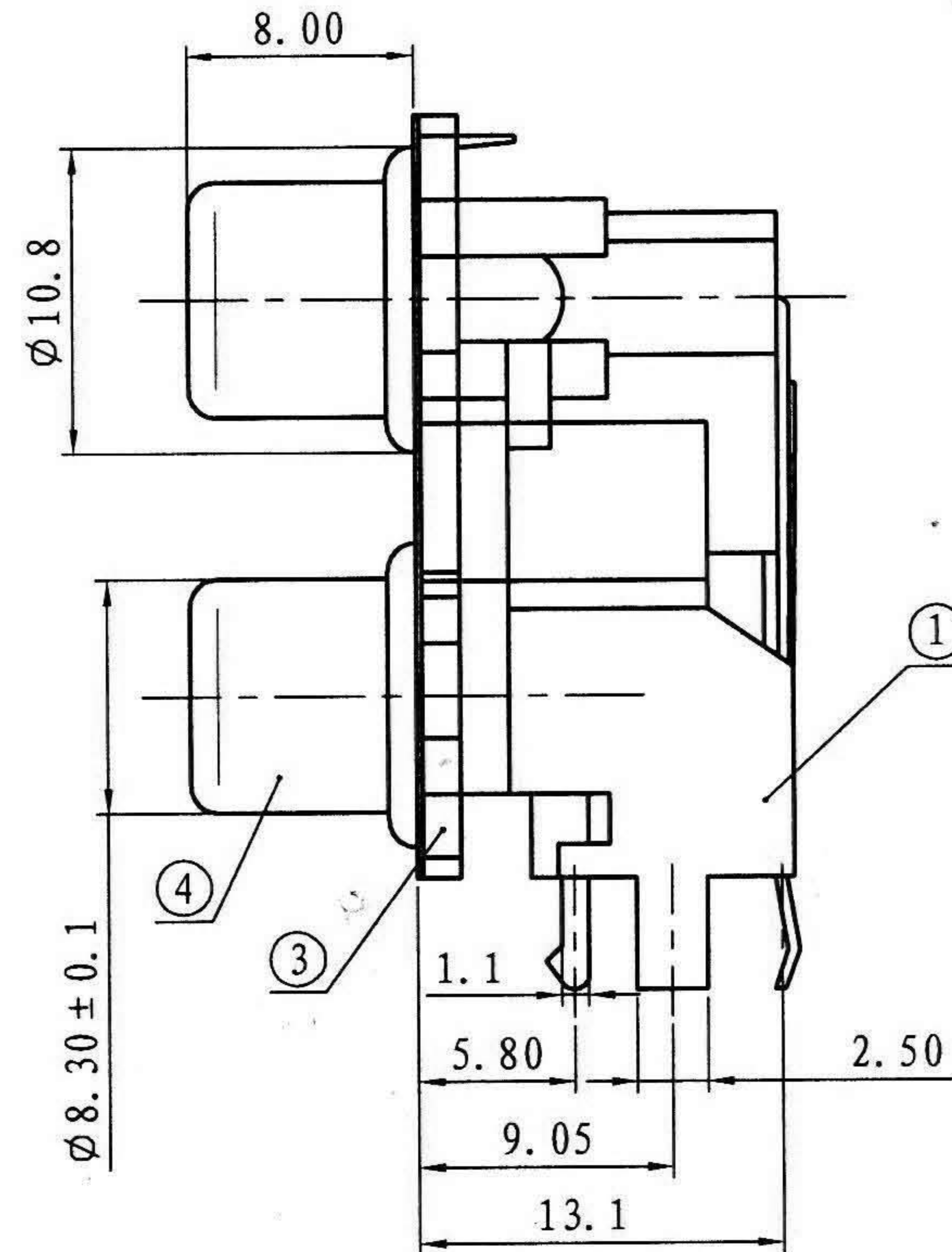
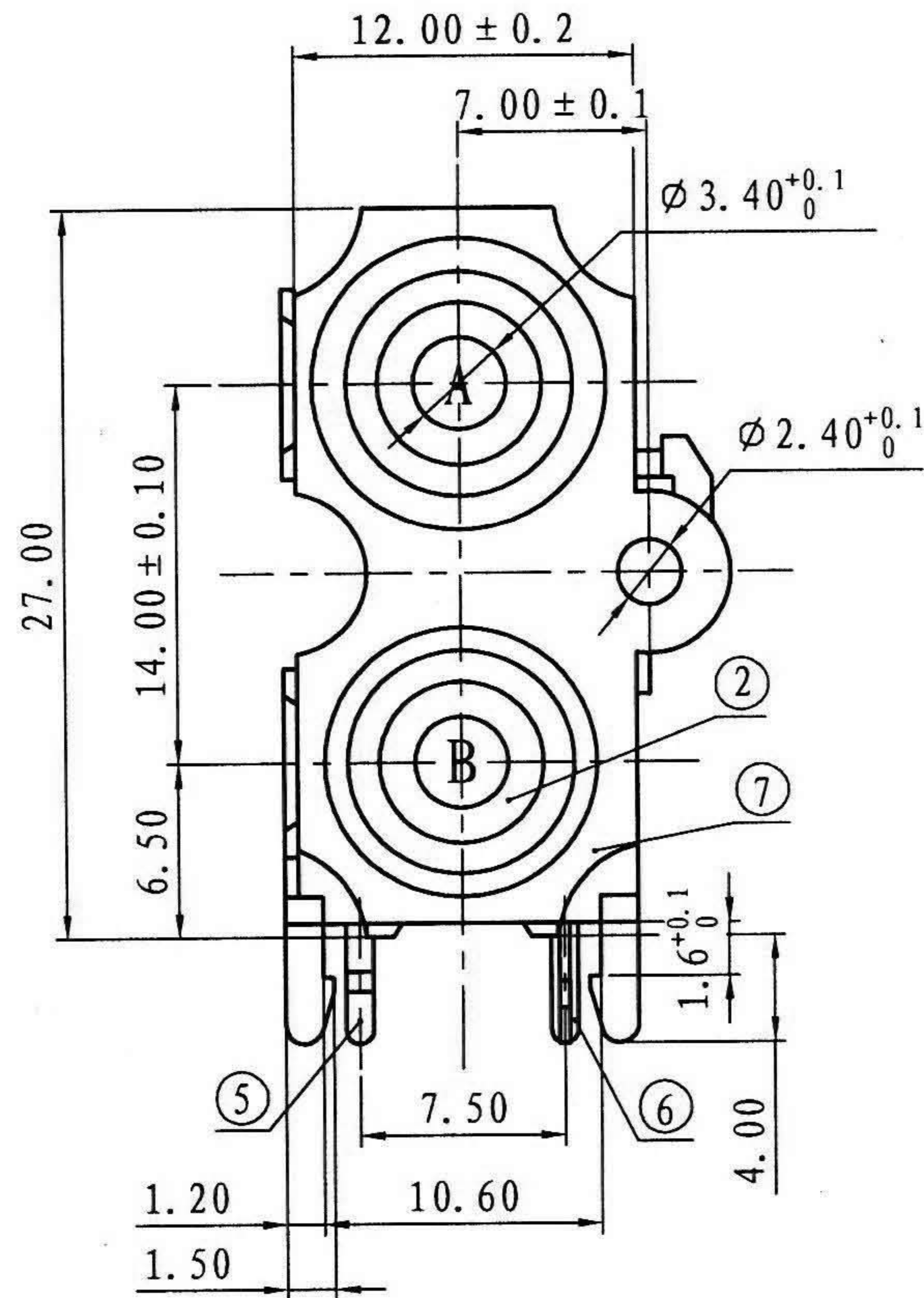


ALLOWANCE

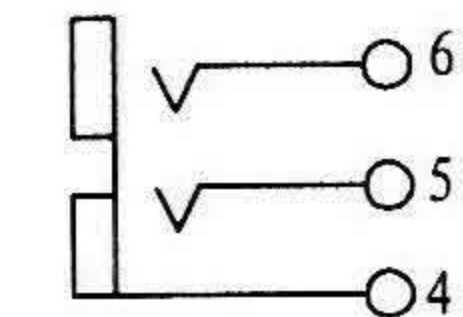
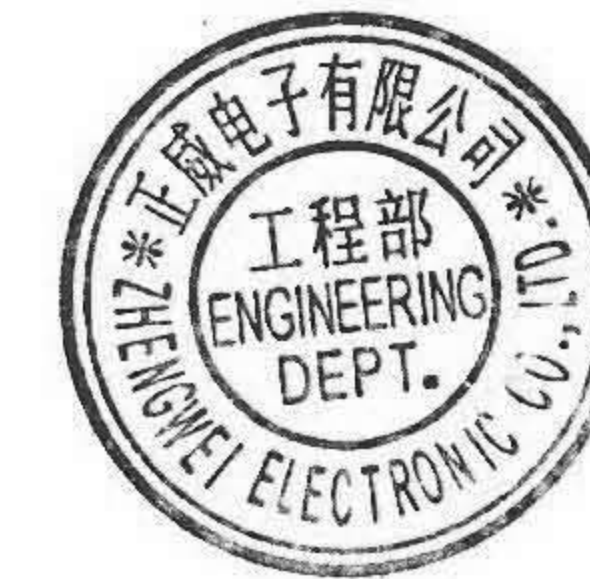
UNDER 3	± 0.1
3 TO 6	± 0.15
6 TO 15	± 0.2
15 TO 50	± 0.25
50 OVER	± 0.3



PCB LAYOUT

COLOR TABLE

CODE	A	B
COLOR	WHITE	RED



SCHEMATIC

7	COVER-P	BRASS T=0.3	1	Cusn PLATED
6	TERMINAL-B	BRASS T=0.3	1	Cusn PLATED
5	TERMINAL-A	BRASS T=0.3	1	Cusn PLATED
4	SOCKET	BRASS T=0.35	1	Cusn PLATED
3	COVER	ABS	1	BLACK
2	WASHER	ABS	2	SEE COLOR TABLE
1	HOUSE	ABS	1	RED
NO:	PART NAME	MATERIAL	QTY	FINISHING

MODEL NO: RCA-213P	ALLOWANCE:	DRAWN BY: [Signature] 2010.12.10
TYPE: RCA PIN JACK DOARD	UNIT: mm	CHECHED BY: [Signature] 2010.12.10
MATERIAL NO:	SCALE:	APPROVED BY: [Signature] 2010.12.10
PROJECTION		
ZHENGWEI ELECTRONIC CO., LTD		