

■ Features :

- Universal AC input/Full range
- Low leakage current<200uA
- Protections: Short circuit / Overload / Over voltage
- Free air convection for rated power and 23.5CFM forced air convection for peak load
- ANSI/AAMI ES60601-1/IEC60601-1/EN60601-1 medical safety approved
- No load power consumption<0.75W
- Fixed switching frequency at 65KHz
- 3 years warranty

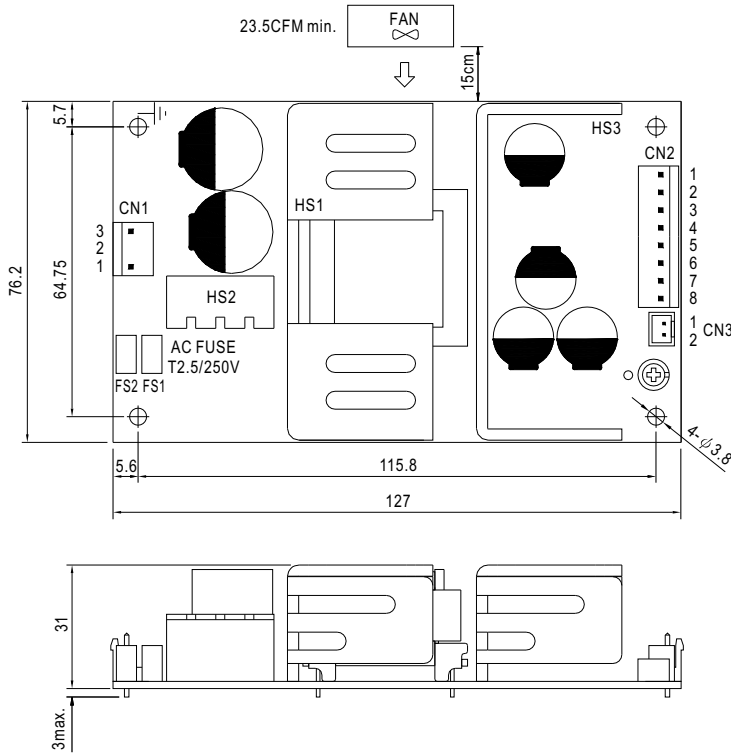


SPECIFICATION

| MODEL                 | RPS-75-3.3                                                                                                                                                                                                                                                                                                                                                                                                                                                                                                                                                                                                                                                                                                                                                                                                                                                                                                                                          | RPS-75-5                                                                                                                                        | RPS-75-12    | RPS-75-15    | RPS-75-24      | RPS-75-36    | RPS-75-48    |              |
|-----------------------|-----------------------------------------------------------------------------------------------------------------------------------------------------------------------------------------------------------------------------------------------------------------------------------------------------------------------------------------------------------------------------------------------------------------------------------------------------------------------------------------------------------------------------------------------------------------------------------------------------------------------------------------------------------------------------------------------------------------------------------------------------------------------------------------------------------------------------------------------------------------------------------------------------------------------------------------------------|-------------------------------------------------------------------------------------------------------------------------------------------------|--------------|--------------|----------------|--------------|--------------|--------------|
| OUTPUT                | DC VOLTAGE                                                                                                                                                                                                                                                                                                                                                                                                                                                                                                                                                                                                                                                                                                                                                                                                                                                                                                                                          | 3.3V                                                                                                                                            | 5V           | 12V          | 15V            | 24V          | 36V          | 48V          |
|                       | RATED CURRENT                                                                                                                                                                                                                                                                                                                                                                                                                                                                                                                                                                                                                                                                                                                                                                                                                                                                                                                                       | 15A                                                                                                                                             | 14A          | 6.3A         | 5A             | 3.2A         | 2.1A         | 1.6A         |
|                       | CURRENT RANGE                                                                                                                                                                                                                                                                                                                                                                                                                                                                                                                                                                                                                                                                                                                                                                                                                                                                                                                                       | 0 ~ 20A                                                                                                                                         | 0 ~ 18.7A    | 0 ~ 8.3A     | 0 ~ 6.7A       | 0 ~ 4.2A     | 0 ~ 2.8A     | 0 ~ 2.1A     |
|                       | RATED POWER                                                                                                                                                                                                                                                                                                                                                                                                                                                                                                                                                                                                                                                                                                                                                                                                                                                                                                                                         | 49.5W                                                                                                                                           | 70W          | 75.6W        | 75W            | 76.8W        | 75.6W        | 76.8W        |
|                       | PEAK LOAD (23.5CFM)                                                                                                                                                                                                                                                                                                                                                                                                                                                                                                                                                                                                                                                                                                                                                                                                                                                                                                                                 | 66W                                                                                                                                             | 93.5W        | 99.6W        | 100.5W         | 100.8W       | 100.8W       | 100.8W       |
|                       | RIPPLE & NOISE (max.) Note.2                                                                                                                                                                                                                                                                                                                                                                                                                                                                                                                                                                                                                                                                                                                                                                                                                                                                                                                        | 80mVp-p                                                                                                                                         | 80mVp-p      | 120mVp-p     | 150mVp-p       | 240mVp-p     | 300mVp-p     | 300mVp-p     |
|                       | VOLTAGE ADJ. RANGE                                                                                                                                                                                                                                                                                                                                                                                                                                                                                                                                                                                                                                                                                                                                                                                                                                                                                                                                  | 2.9 ~ 3.6V                                                                                                                                      | 4.75 ~ 5.5V  | 11.4 ~ 13.2V | 13.5 ~ 16.5V   | 22.8 ~ 27.6V | 34.2 ~ 39.6V | 45.6 ~ 52.8V |
|                       | VOLTAGE TOLERANCE Note.3                                                                                                                                                                                                                                                                                                                                                                                                                                                                                                                                                                                                                                                                                                                                                                                                                                                                                                                            | ±2.0%                                                                                                                                           | ±2.0%        | ±1.0%        | ±1.0%          | ±1.0%        | ±1.0%        | ±1.0%        |
|                       | LINE REGULATION                                                                                                                                                                                                                                                                                                                                                                                                                                                                                                                                                                                                                                                                                                                                                                                                                                                                                                                                     | ±0.5%                                                                                                                                           | ±0.5%        | ±0.5%        | ±0.5%          | ±0.5%        | ±0.5%        | ±0.5%        |
|                       | LOAD REGULATION                                                                                                                                                                                                                                                                                                                                                                                                                                                                                                                                                                                                                                                                                                                                                                                                                                                                                                                                     | ±1.5%                                                                                                                                           | ±1.5%        | ±1.0%        | ±1.0%          | ±1.0%        | ±1.0%        | ±1.0%        |
|                       | SETUP, RISE TIME                                                                                                                                                                                                                                                                                                                                                                                                                                                                                                                                                                                                                                                                                                                                                                                                                                                                                                                                    | 500ms, 30ms/230VAC      500ms, 30ms/115VAC at full load                                                                                         |              |              |                |              |              |              |
| HOLD UP TIME (Typ.)   | 80ms/230VAC      20ms/115VAC at full load                                                                                                                                                                                                                                                                                                                                                                                                                                                                                                                                                                                                                                                                                                                                                                                                                                                                                                           |                                                                                                                                                 |              |              |                |              |              |              |
| INPUT                 | VOLTAGE RANGE                                                                                                                                                                                                                                                                                                                                                                                                                                                                                                                                                                                                                                                                                                                                                                                                                                                                                                                                       | 90 ~ 264VAC      127 ~ 370VDC                                                                                                                   |              |              |                |              |              |              |
|                       | FREQUENCY RANGE                                                                                                                                                                                                                                                                                                                                                                                                                                                                                                                                                                                                                                                                                                                                                                                                                                                                                                                                     | 47 ~ 63Hz                                                                                                                                       |              |              |                |              |              |              |
|                       | EFFICIENCY(Typ.)                                                                                                                                                                                                                                                                                                                                                                                                                                                                                                                                                                                                                                                                                                                                                                                                                                                                                                                                    | 73%                                                                                                                                             | 78%          | 82%          | 83%            | 85%          | 86%          | 86%          |
|                       | AC CURRENT (Typ.)                                                                                                                                                                                                                                                                                                                                                                                                                                                                                                                                                                                                                                                                                                                                                                                                                                                                                                                                   | 1.5A/115VAC      1A/230VAC                                                                                                                      |              |              |                |              |              |              |
|                       | INRUSH CURRENT (Typ.)                                                                                                                                                                                                                                                                                                                                                                                                                                                                                                                                                                                                                                                                                                                                                                                                                                                                                                                               | COLD START 25A/115VAC      50A/230VAC                                                                                                           |              |              |                |              |              |              |
| LEAKAGE CURRENT       | Earth leakage current <200uA / 264VAC, Patient leakage current <100uA/264VAC                                                                                                                                                                                                                                                                                                                                                                                                                                                                                                                                                                                                                                                                                                                                                                                                                                                                        |                                                                                                                                                 |              |              |                |              |              |              |
| PROTECTION            | OVERLOAD                                                                                                                                                                                                                                                                                                                                                                                                                                                                                                                                                                                                                                                                                                                                                                                                                                                                                                                                            | 140 ~ 180% rated output power<br>Protection type : Hiccup mode, recovers automatically after fault condition is removed.                        |              |              |                |              |              |              |
|                       | OVER VOLTAGE                                                                                                                                                                                                                                                                                                                                                                                                                                                                                                                                                                                                                                                                                                                                                                                                                                                                                                                                        | 3.8 ~ 4.46V                                                                                                                                     | 5.75 ~ 6.75V | 13.8 ~ 16.2V | 17.25 ~ 20.25V | 27.6 ~ 32.4V | 41.4 ~ 48.6V | 55.2 ~ 64.8V |
|                       |                                                                                                                                                                                                                                                                                                                                                                                                                                                                                                                                                                                                                                                                                                                                                                                                                                                                                                                                                     | Protection type : Shut down o/p voltage, re-power to recover                                                                                    |              |              |                |              |              |              |
| ENVIRONMENT           | WORKING TEMP.                                                                                                                                                                                                                                                                                                                                                                                                                                                                                                                                                                                                                                                                                                                                                                                                                                                                                                                                       | -20 ~ +70°C (Refer to "Derating Curve")                                                                                                         |              |              |                |              |              |              |
|                       | WORKING HUMIDITY                                                                                                                                                                                                                                                                                                                                                                                                                                                                                                                                                                                                                                                                                                                                                                                                                                                                                                                                    | 20 ~ 90% RH non-condensing                                                                                                                      |              |              |                |              |              |              |
|                       | STORAGE TEMP., HUMIDITY                                                                                                                                                                                                                                                                                                                                                                                                                                                                                                                                                                                                                                                                                                                                                                                                                                                                                                                             | -40 ~ +85°C, 10 ~ 95% RH                                                                                                                        |              |              |                |              |              |              |
|                       | TEMP. COEFFICIENT                                                                                                                                                                                                                                                                                                                                                                                                                                                                                                                                                                                                                                                                                                                                                                                                                                                                                                                                   | ±0.03%/°C (0 ~ 45°C)                                                                                                                            |              |              |                |              |              |              |
|                       | VIBRATION                                                                                                                                                                                                                                                                                                                                                                                                                                                                                                                                                                                                                                                                                                                                                                                                                                                                                                                                           | 10 ~ 500Hz, 2G 10min./1cycle, period for 60min. each along X, Y, Z axes                                                                         |              |              |                |              |              |              |
| SAFETY & EMC (Note 4) | SAFETY STANDARDS                                                                                                                                                                                                                                                                                                                                                                                                                                                                                                                                                                                                                                                                                                                                                                                                                                                                                                                                    | ANSI/AAMI ES60601-1, TUV EN60601-1, IEC60601-1 approved                                                                                         |              |              |                |              |              |              |
|                       | WITHSTAND VOLTAGE                                                                                                                                                                                                                                                                                                                                                                                                                                                                                                                                                                                                                                                                                                                                                                                                                                                                                                                                   | I/P-O/P:4KVAC    I/P-FG:1.5KVAC    O/P-FG:1.5KVAC                                                                                               |              |              |                |              |              |              |
|                       | ISOLATION RESISTANCE                                                                                                                                                                                                                                                                                                                                                                                                                                                                                                                                                                                                                                                                                                                                                                                                                                                                                                                                | I/P-O/P, I/P-FG, O/P-FG:100M Ohms / 500VDC / 25°C / 70% RH                                                                                      |              |              |                |              |              |              |
|                       | EMC EMISSION                                                                                                                                                                                                                                                                                                                                                                                                                                                                                                                                                                                                                                                                                                                                                                                                                                                                                                                                        | Compliance to EN55011 (CISPR11), EN55022 (CISPR22) Class B, EN61000-3-2,-3                                                                      |              |              |                |              |              |              |
|                       | EMC IMMUNITY                                                                                                                                                                                                                                                                                                                                                                                                                                                                                                                                                                                                                                                                                                                                                                                                                                                                                                                                        | Compliance to EN61000-4-2,3,4,5,6,8,11, EN55024, EN60601-1-2, EN61000-6-2, EN61204-3, heavy industry level, EN61204-3 medical level, criteria A |              |              |                |              |              |              |
| OTHERS                | MTBF                                                                                                                                                                                                                                                                                                                                                                                                                                                                                                                                                                                                                                                                                                                                                                                                                                                                                                                                                | 446.8K hrs min.    MIL-HDBK-217F (25°C)                                                                                                         |              |              |                |              |              |              |
|                       | DIMENSION                                                                                                                                                                                                                                                                                                                                                                                                                                                                                                                                                                                                                                                                                                                                                                                                                                                                                                                                           | 127*76.2*31mm (L*W*H)                                                                                                                           |              |              |                |              |              |              |
|                       | PACKING                                                                                                                                                                                                                                                                                                                                                                                                                                                                                                                                                                                                                                                                                                                                                                                                                                                                                                                                             | 0.26Kg; 63pcs/16.3Kg/1.35CUFT                                                                                                                   |              |              |                |              |              |              |
| NOTE                  | <p>1. All parameters NOT specially mentioned are measured at 230VAC input, rated load and 25°C of ambient temperature.</p> <p>2. Ripple &amp; noise are measured at 20MHz of bandwidth by using a 12" twisted pair-wire terminated with a 0.1uf &amp; 47uf parallel capacitor.</p> <p>3. Tolerance : includes set up tolerance, line regulation and load regulation.</p> <p>4. The power supply is considered a component which will be installed into a final equipment. The final equipment must be re-confirmed that it still meets EMC directives. For guidance on how to perform these EMC tests, please refer to "EMI testing of component power supplies." (as available on <a href="http://www.meanwell.com">http://www.meanwell.com</a>)</p> <p>5. Length of set up time is measured at cold first start. Turning ON/OFF the power supply may lead to increase of the set up time.</p> <p>6. Heat Sink HS1,HS2,HS3 can not be shorted.</p> |                                                                                                                                                 |              |              |                |              |              |              |

**Mechanical Specification**

Unit:mm



AC Input Connector (CN1) : JST B3P-VH or equivalent

| Pin No. | Assignment | Mating Housing        | Terminal                       |
|---------|------------|-----------------------|--------------------------------|
| 1       | AC/N       | JST VHR or equivalent | JST SVH-21T-P1.1 or equivalent |
| 2       | No Pin     |                       |                                |
| 3       | AC/L       |                       |                                |

DC Output Connector (CN2) : JST B8P-VH or equivalent

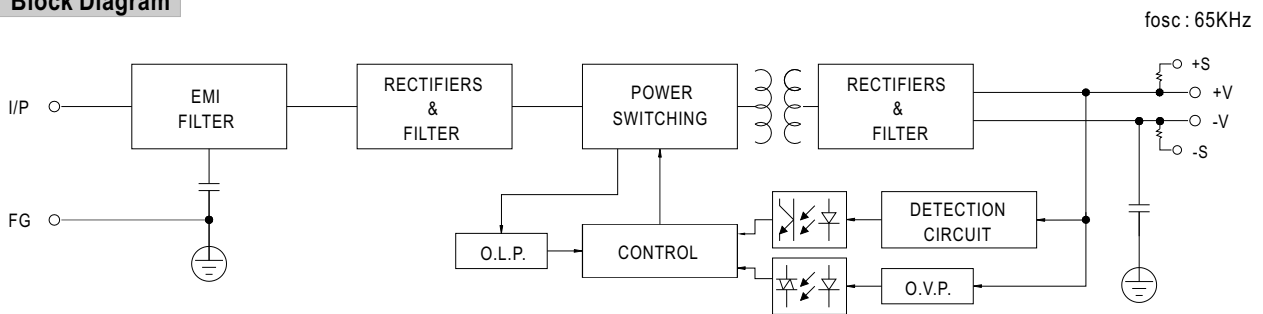
| Pin No. | Assignment | Mating Housing        | Terminal                       |
|---------|------------|-----------------------|--------------------------------|
| 1,2,3,4 | +V         | JST VHR or equivalent | JST SVH-21T-P1.1 or equivalent |
| 5,6,7,8 | -V         |                       |                                |

Remote Sense(CN3) : JST B2B-XH or equivalent

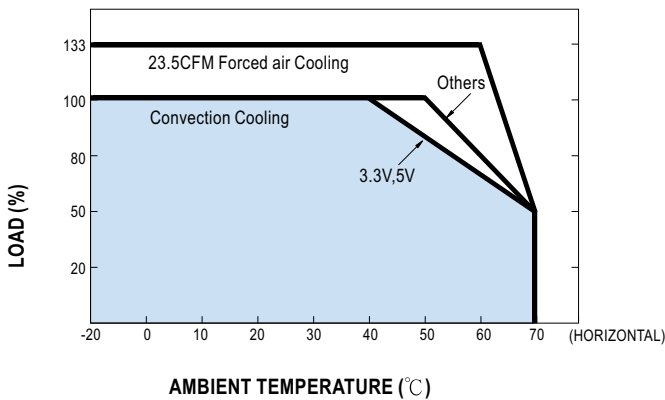
| Pin No. | Assignment | Mating Housing        | Terminal                        |
|---------|------------|-----------------------|---------------------------------|
| 1       | RS+        | JST XHP or equivalent | JST SXH-001T-P0.6 or equivalent |
| 2       | RS-        |                       |                                 |

⚠ HS1,HS2,HS3 can not be shorted

**Block Diagram**



**Derating Curve**



**Output Derating VS Input Voltage**

