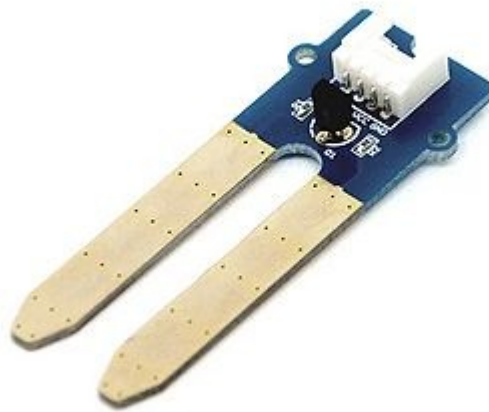


SEED TECHNOLOGY INC (SEEEDUINO)**Grove - Moisture Sensor****Model: SEN92355P*****Introduction***

This Moisture Sensor can be used to detect the moisture of soil or judge if there is water around the sensor, let the plants in your garden reach out for human help. They can be very to use, just insert it into the soil and then read it. with help of this sensor, it will be realizable to make the plant remind you : hey, i am thirsty now, please give me some water.

Model: [SEN92355P](#)

***Features***

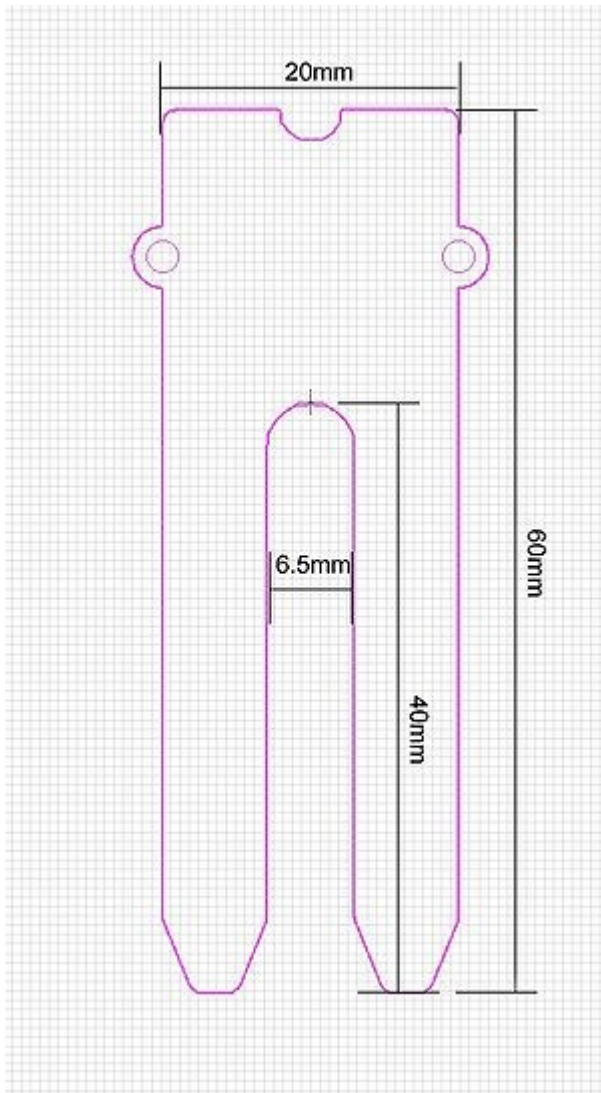
- Easy to Use
- 2.0cmX6.0cm grove module
- feature3

Specification

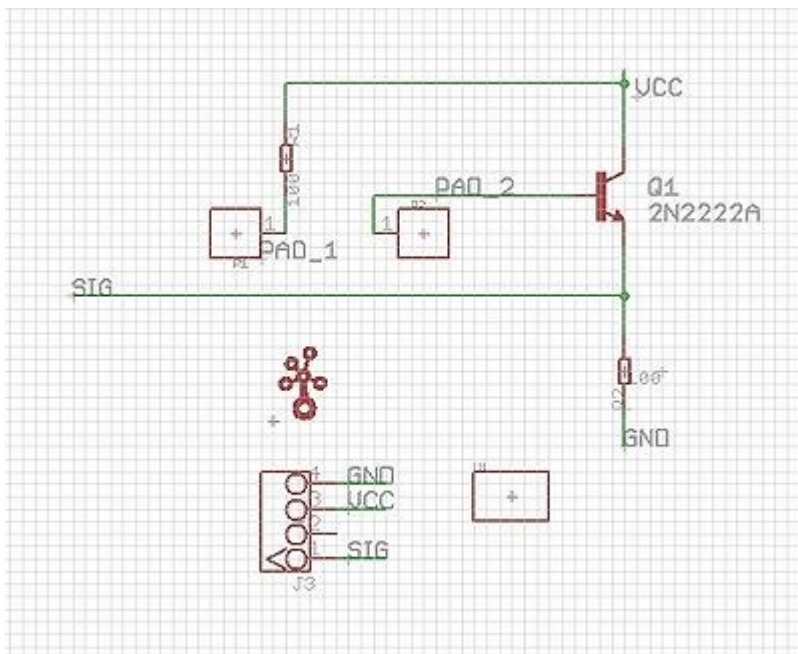
Item	Min	Typical	Max	Unit
Voltage	3.3	/	5	V
Current	0	/	35	mA

Application Ideas

- Botanical gardening
- Water sensor
- Application3



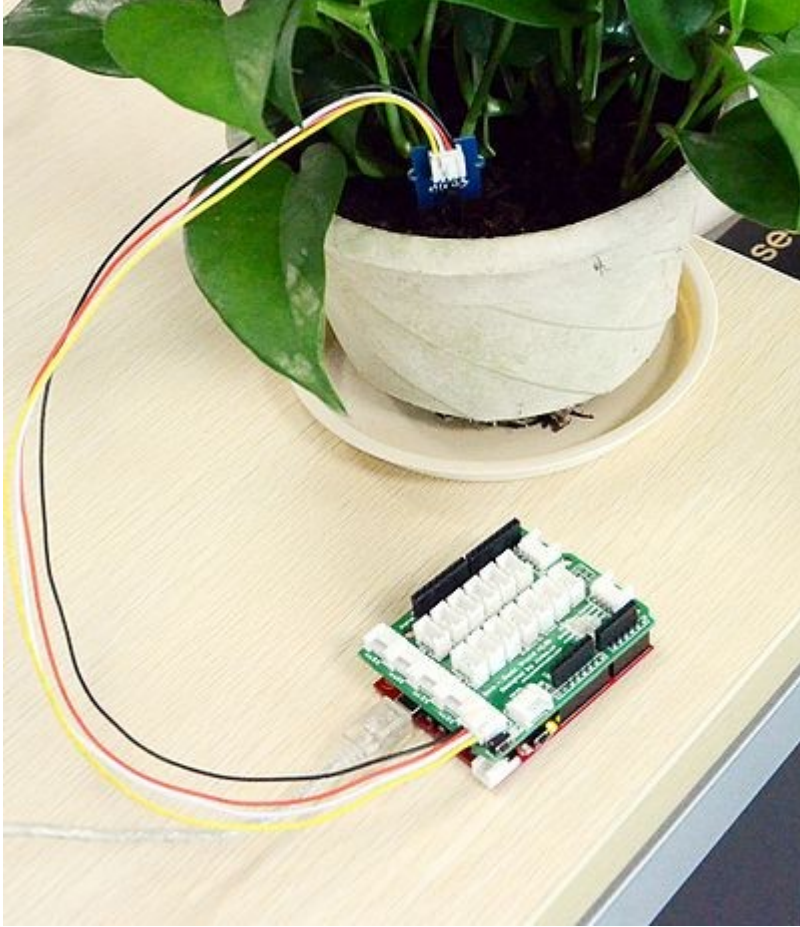
Schematic



Usage

Hardware Installation

Connect this module to one of analog connectors (eg. A0&A1) of [Grove - Base Shield](#) with the [4 pin Grove cable](#), and then insert the Sensor into the soil or place it anywhere you want.



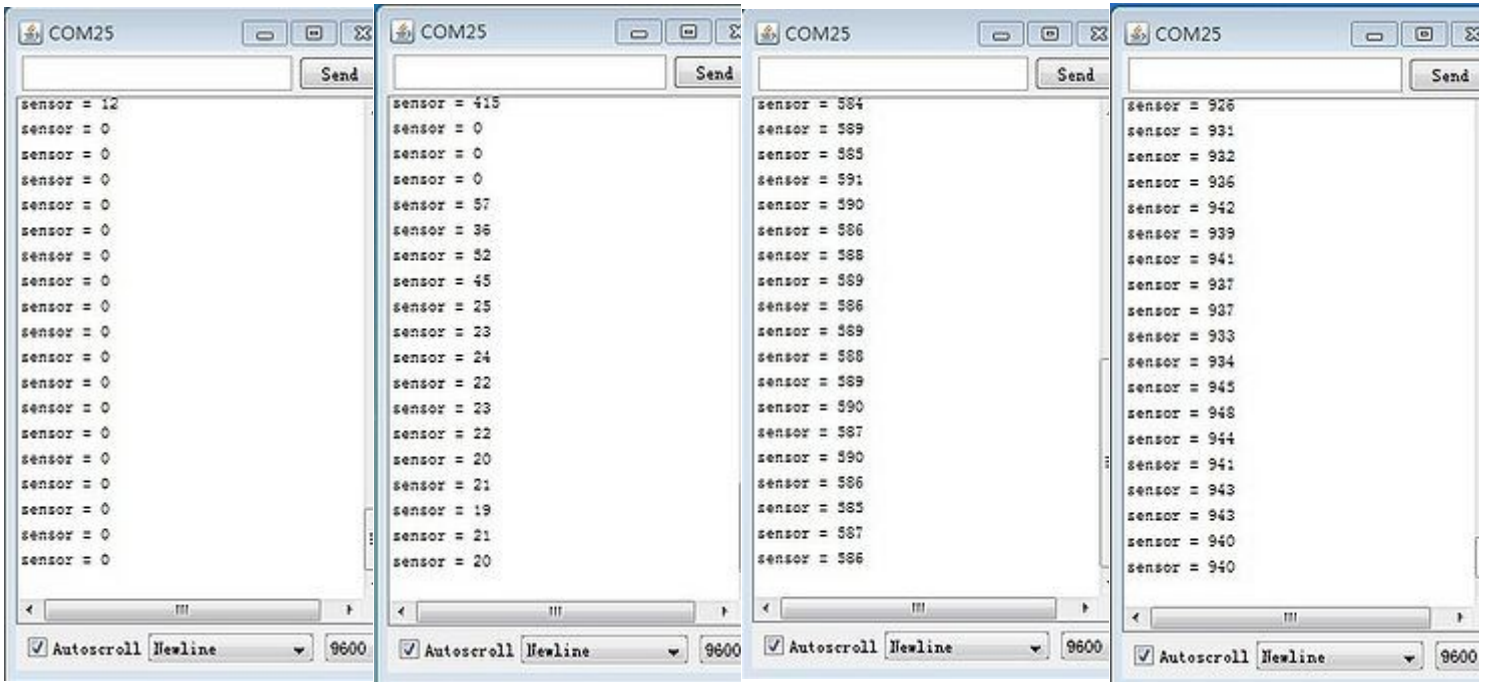
Programming

Includes important code snippet. Demo code like :

```
int sensorPin = A0;    // select the input pin for the potentiometer
int sensorValue = 0;  // variable to store the value coming from the sensor

void setup() {
  // declare the ledPin as an OUTPUT:
  Serial.begin(9600);
}

void loop() {
  // read the value from the sensor:
  sensorValue = analogRead(sensorPin);
  delay(1000);
  Serial.print("sensor = ");
  Serial.println(sensorValue);
}
```



Sensor in air

Sensor in dry soil

Sensor in humid soil

Sensor in water

Support

[Ask questions on Seed forum.](#)

Version Tracker

Revision	Descriptions	Release
v0.9b	Initial public release	13,Sep,2011

Resources

- Schematic in Eagle file
- Schematic in PDF
- Demo code
- Chip datasheet(optional)

How to buy

Click here to buy from Seedstudio Bazaar.

See Also

Other related products,resources and projects.

Licensing

This documentation is licensed under the Creative Commons [Attribution-ShareAlike License 3.0](#) Source code and libraries are licensed under [GPL/LGPL](#), see source code files for details.