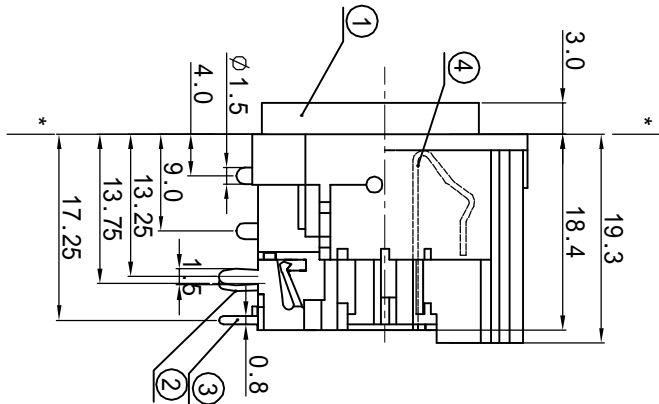
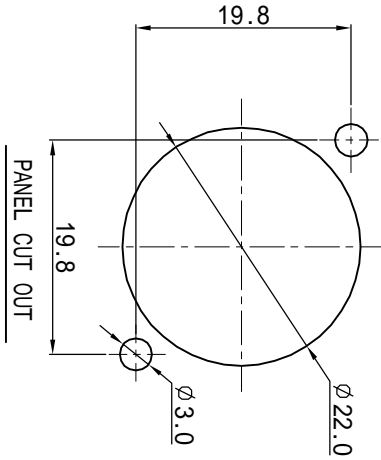
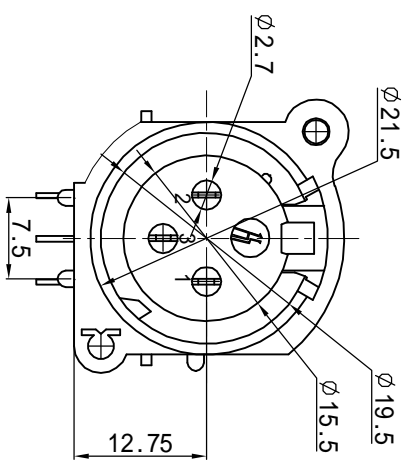
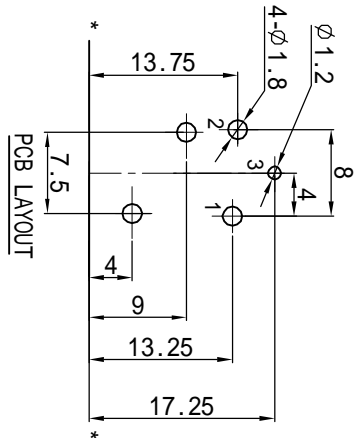
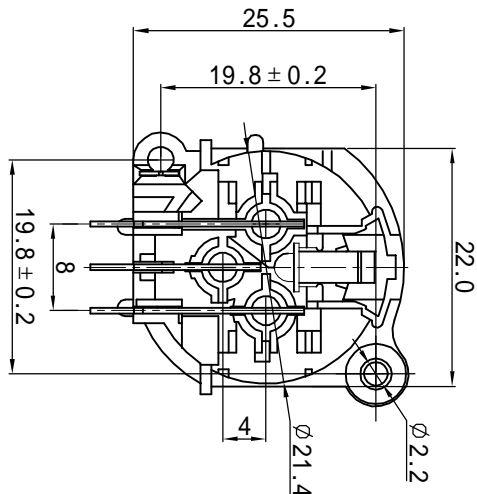


ALLOWANCE	
UNDER 3	± 0.1
3 TO 6	± 0.15
6 TO 15	± 0.2
15 TO 50	± 0.25
50 OVER	± 0.3



Specifications:
 Rating : DC 50V /3A.
 Force:5~40N.
 Contact resistance:
 Less than 30m Ω.
 Insulation resistance:
 Over 100M Ω on DC 500V
 measured.
 Voltage withstand :
 AC 500V,For 1 minute.



NO.	PART NAME	MATERIAL	QTY	FINISHING
4	TERMINAL-C	65Mn	1	BLACK
3	TERMINAL-B	BRASS t=0.5	1	AU PLATING
2	TERMINAL-A	BRASS t=0.5	2	AU PLATING
1	HOUSE	PA66	1	BLACK

MODEL NO.:SPF-07	ALLOWANCE:	DRAWN BY:
TYPE: SP SOCKET	UNIT: mm	CHECKED BY:
MATERIAL NO :	SCALE:	APPROVED BY:
PROJECTION	 ZHENGWEI INDUSTRY (HK) CO., LIMITED	