

Representative photograph, actual product appearance may vary.

Due to regional agency approval requirements, some products may not be available in your area. Please contact your regional Honeywell office regarding your product of choice.

SR17C-J6

SR17 Series Cost Effective Digital Vane Sensor; side looker mounting; wire leads parallel to mounting plane; sinking output; 3.8 to 30 Vdc supply voltage

Features

- Compact, robust package
- Mechanically interchangeable with our standard optical style sensors
- Operated by a "Ferrous Vane" interrupter for pulse counting or position sensing
- Current sinking (Open Collector) output
- 3.8 Vdc to 30 Vdc power supply
- Medium level magnetic switching to reduce stray field interference
- Internally sealed package for moderate environment applications
- No mechanical contacts; eliminates product wear
- Noncontact position sensing

Description

The SR17 Series Hall effect vane sensor is designed for position and speed sensing and is offered in a side mount package. The cost effective SR17 Series sensor is tailored for fitness and information technology applications. They are well suited for use in moderate electrical, chemical, and mechanical environments.

The SR17 Series sensors contain an internal magnet and Hall effect sensor mounted in a side mount twin tower configuration. In application, a customer supplied ferrous target passes between the tower gap, interrupts the magnetic field, and switches the digital state of the sensor.

These robust solid state Hall effect sensors are housed in an environmentally sealed plastic package. The Hall effect sensors provide highly accurate and repeatable performance in environments in which dirt, dust, or stray IR light might affect the performance of optical solutions. The sensor package is constructed of rugged polyphthalamide material and is mechanically interchangeable with our standard optical sensors.



SR17C-J6

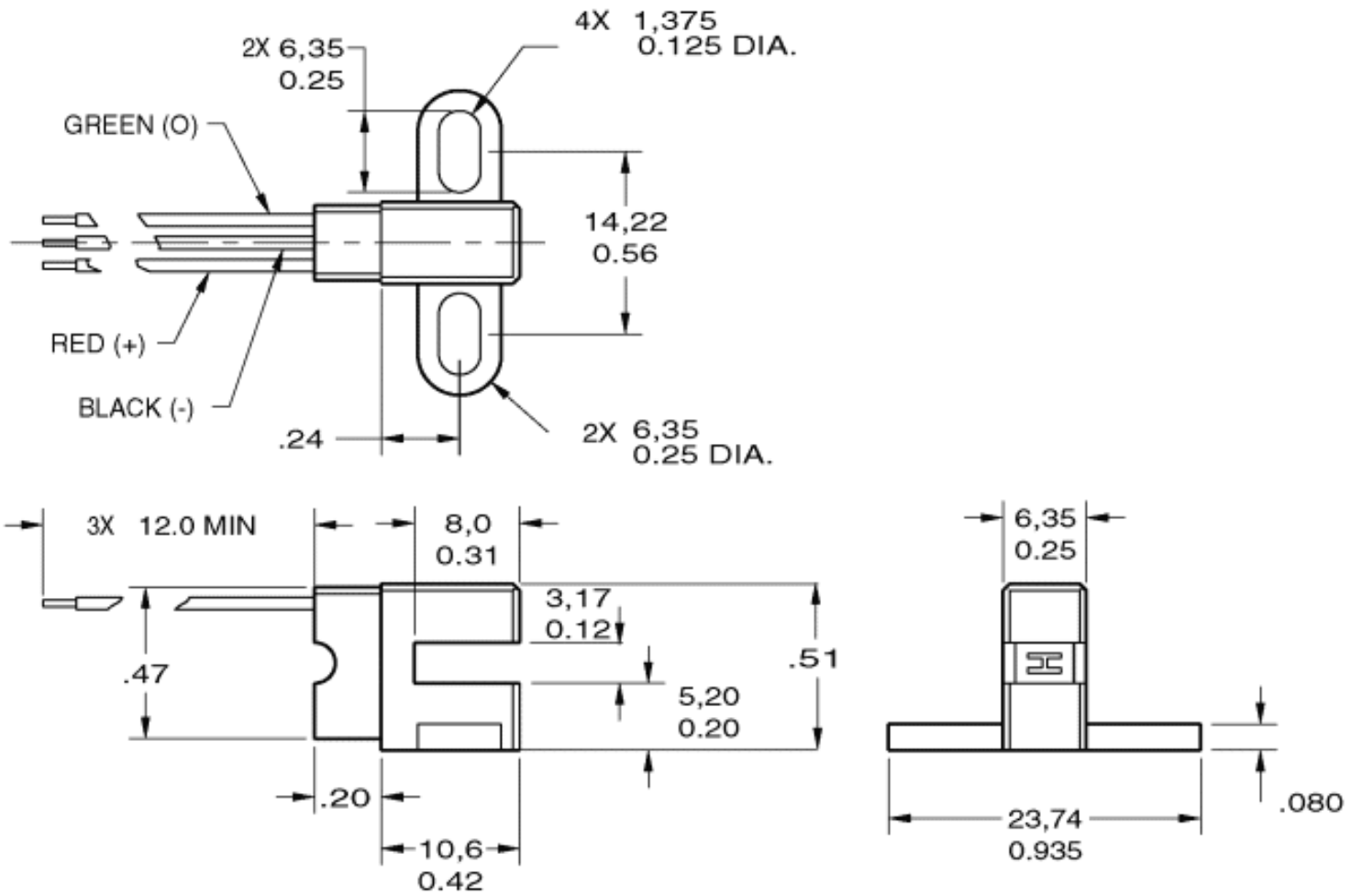
SR17 Series Cost Effective Digital Vane Sensor; side looker mounting; wire leads parallel to mounting plane; sinking output; 3.8 to 30 Vdc supply voltage

Product Specifications	
Product Type	Competitively Priced Hall Digital Vane Sensor
Package Style	Side mount wire exit
Supply Voltage	3.8 Vdc to 30.0 Vdc
Output Type	Sink
Termination Type	26-gauge 7-strand lead wire
Operating Temperature Range	-20 °C to 85 °C [-4 °F to 185 °F]
Output Voltage	0.4 Vdc max.
Vibration	10 g/10 Hz to 500 Hz
Humidity	95 %RH/40 °C 100 h
Vane and Geartooth Target Material	Low Carbon Steel, High Permeability, Low Residual Induction
Sealing	Sealed SS4 package
Availability	Global
Comment	For minimum tooth measurement, reference recommended target on drawing.
Supply Current (max. @ 25 °C)	10 mA
Output Current (max.)	40 mA
Vane Thickness	1,14 mm [0.045 in]
Minimum Tooth Depth	6,35 mm [0.250 in]
Series Name	SR17 Series

Honeywell

SR17C-J6

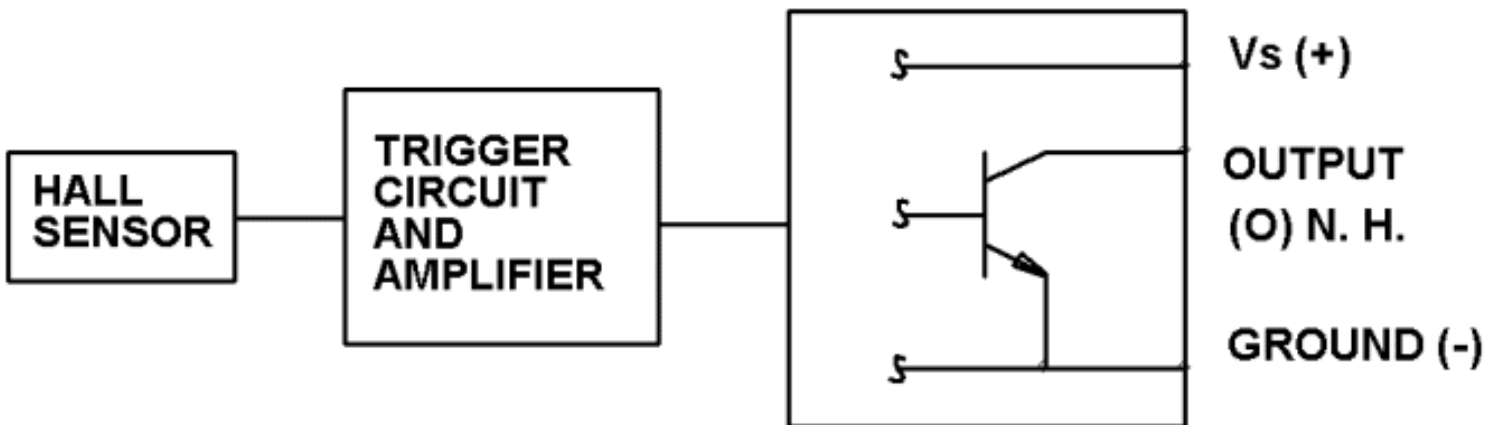
SR17 Series Cost Effective Digital Vane Sensor; side looker mounting; wire leads parallel to mounting plane; sinking output; 3.8 to 30 Vdc supply voltage



Honeywell

SR17C-J6

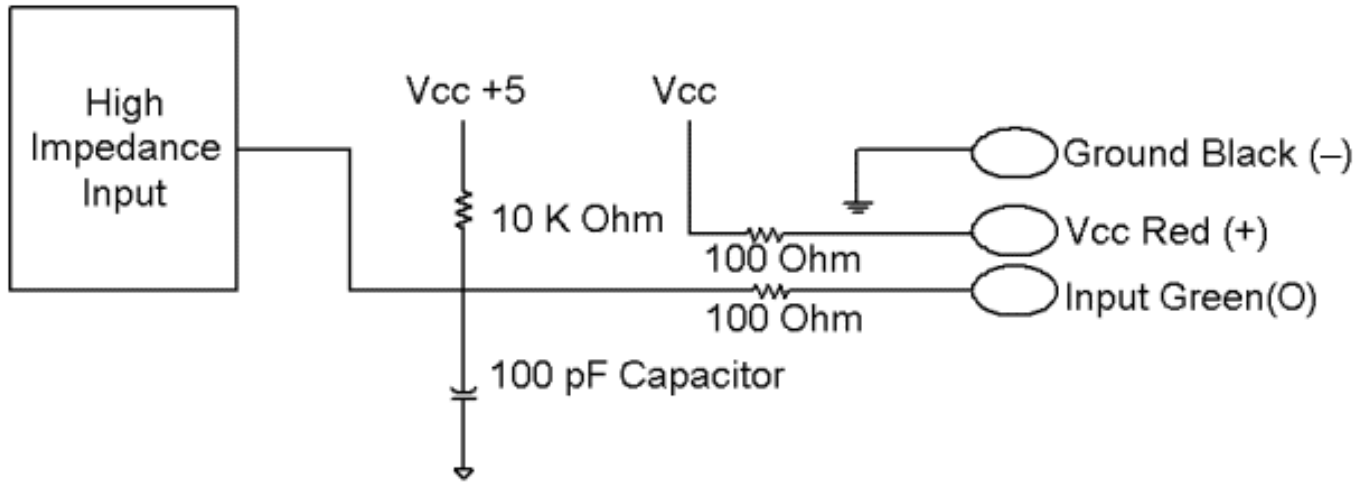
SR17 Series Cost Effective Digital Vane Sensor; side looker mounting; wire leads parallel to mounting plane; sinking output; 3.8 to 30 Vdc supply voltage



Honeywell

SR17C-J6

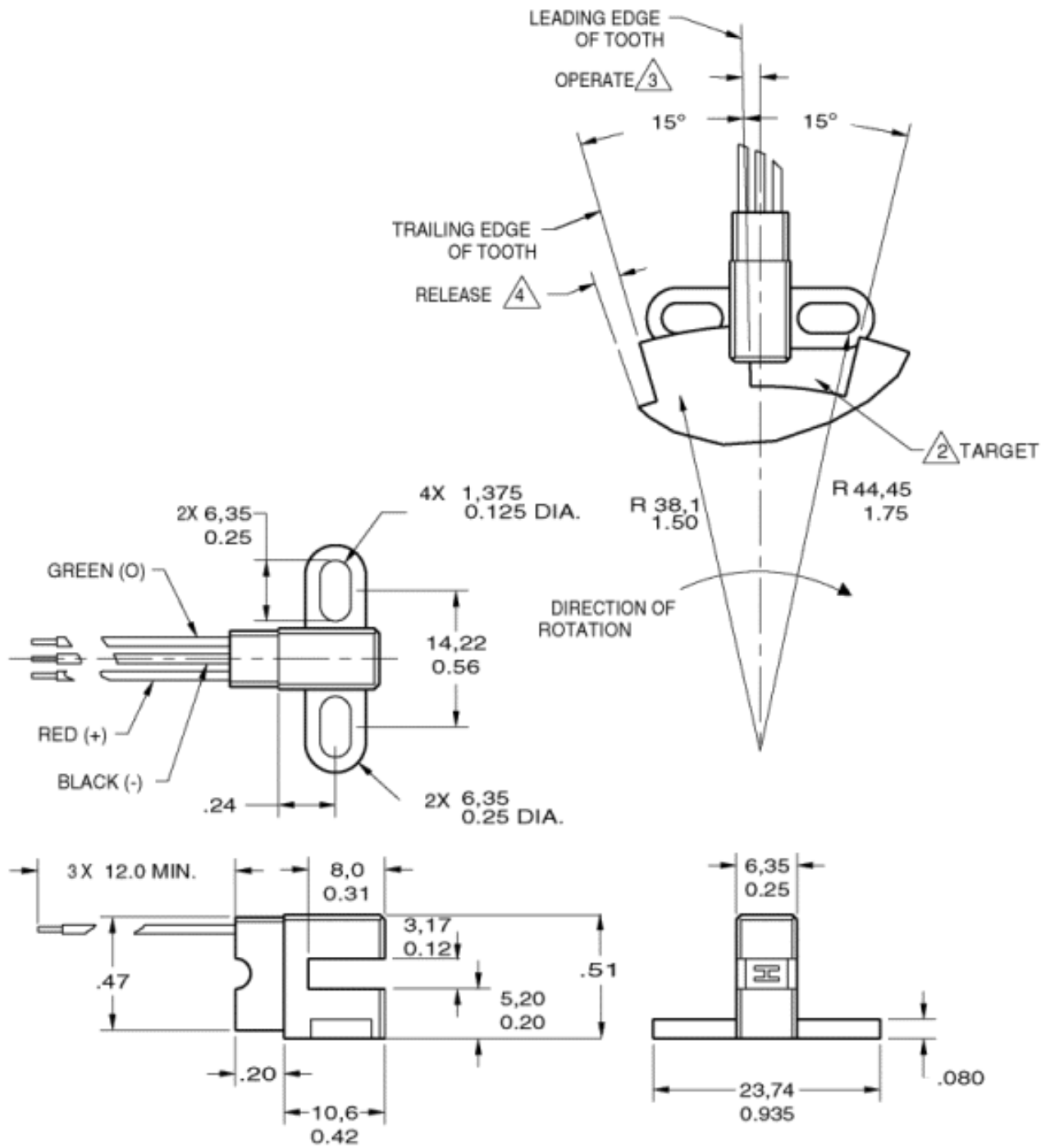
SR17 Series Cost Effective Digital Vane Sensor; side looker mounting; wire leads parallel to mounting plane; sinking output; 3.8 to 30 Vdc supply voltage



Honeywell

SR17C-J6

SR17 Series Cost Effective Digital Vane Sensor; side looker mounting; wire leads parallel to mounting plane; sinking output; 3.8 to 30 Vdc supply voltage



Honeywell

SR17C-J6

SR17 Series Cost Effective Digital Vane Sensor; side looker mounting; wire leads parallel to mounting plane; sinking output; 3.8 to 30 Vdc supply voltage

 WARNING

PERSONAL INJURY

DO NOT USE these products as safety or emergency stop devices, or in any other application where failure of the product could result in personal injury.

Failure to comply with these instructions could result in death or serious injury.

 WARNING

MISUSE OF DOCUMENTATION

- The information presented in this product sheet (or catalog) is for reference only. DO NOT USE this document as product installation information.
- Complete installation, operation and maintenance information is provided in the instructions supplied with each product.

Failure to comply with these instructions could result in death or serious injury.

© Copyright Honeywell Inc.1998-2004 All rights reserved.