



Features

- Available in E6 series
- Unit height of 4.8 mm
- Current up to 7.8 A
- Lead free
- RoHS compliant*

Applications

- Input/output of DC/DC converters
- Power supplies for:
 - Portable communication equipment
 - Camcorders
 - LCD TVs
 - Car radios

SRU1048 Series - Shielded SMD Power Inductors

Electrical Specifications

Bourns Part No.	Inductance 100 KHz		Q Ref.	Test Frequency (MHz)	SRF Min. (MHz)	RDC (mΩ)	I rms Max. (A)	I sat Typ. (A)
	(μH)	Tol. %						
SRU1048-R80Y	0.8	± 30	8	7.96	100.0	3.6	7.80	8.50
SRU1048-1R5Y	1.5	± 30	14	7.96	70.0	4.3	7.00	7.20
SRU1048-2R2Y	2.2	± 30	14	7.96	55.0	5.3	6.50	6.30
SRU1048-3R0Y	3.0	± 30	14	7.96	40.0	7.2	6.20	6.00
SRU1048-4R7Y	4.7	± 30	12	7.96	30.0	9.5	5.50	4.75
SRU1048-6R8Y	6.8	± 30	10	7.96	20.0	13.6	4.80	4.10
SRU1048-8R2Y	8.2	± 30	8	7.96	18.0	15.0	4.60	3.80
SRU1048-100Y	10.0	± 30	26	7.96	16.0	18.5	4.50	3.70
SRU1048-120Y	12.0	± 30	26	2.52	15.0	25.0	4.00	3.30
SRU1048-150Y	15.0	± 30	30	2.52	14.0	29.0	3.20	2.70
SRU1048-220Y	22.0	± 30	22	2.52	12.0	42.0	2.60	2.00
SRU1048-330Y	33.0	± 30	24	2.52	10.0	63.0	2.10	1.70
SRU1048-470Y	47.0	± 30	26	2.52	8.0	94.0	1.70	1.50
SRU1048-560Y	56.0	± 30	26	2.52	7.0	110.0	1.60	1.40
SRU1048-680Y	68.0	± 30	24	2.52	6.0	127.0	1.40	1.25
SRU1048-820Y	82.0	± 30	24	2.52	5.5	149.0	1.30	1.10
SRU1048-101Y	100.0	± 30	26	0.796	5.0	160.0	1.20	1.00
SRU1048-151Y	150.0	± 30	24	0.796	4.5	235.0	1.00	0.80
SRU1048-221Y	220.0	± 30	20	0.796	4.0	350.0	0.80	0.70
SRU1048-331Y	330.0	± 30	18	0.796	3.0	490.0	0.65	0.52

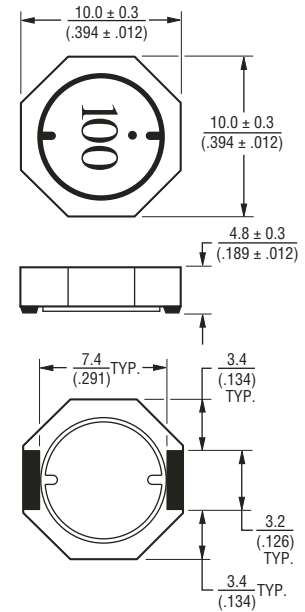
General Specifications

Test Voltage.....1 V
 Reflow Soldering ...230 °C, 50 sec. max.
 Operating Temperature -40 °C to +125 °C
 (Temperature rise included)
 Storage Temperature..-40 °C to +125 °C
 Resistance to Soldering Heat
260 °C for 10 sec.

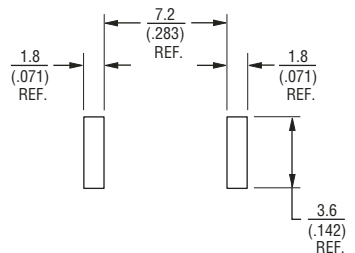
Materials

Core.....Ferrite DR and RI core
 Wire.....Enameled copper
 Base.....LCP E4008
 Terminal.....Ag/Ni/Sn
 Rated Current
Ind. drop 35 % typ. at Isat
 Temperature Rise
30 °C max. at rated I_{rms}
 Packaging.....600 pcs. per reel

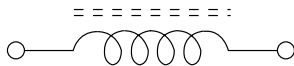
Product Dimensions



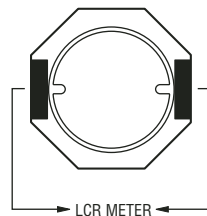
Recommended Layout



Electrical Schematic



Inductor Connection



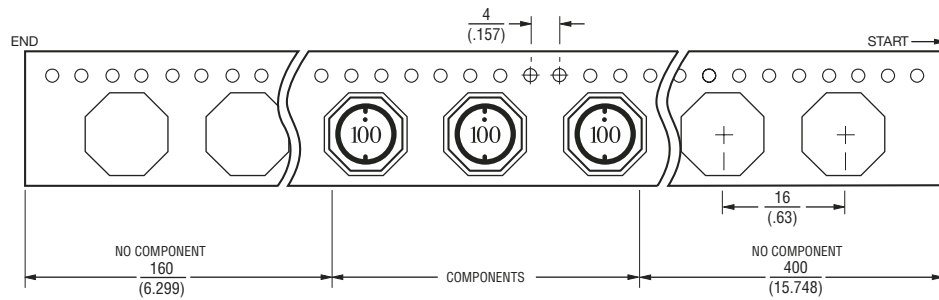
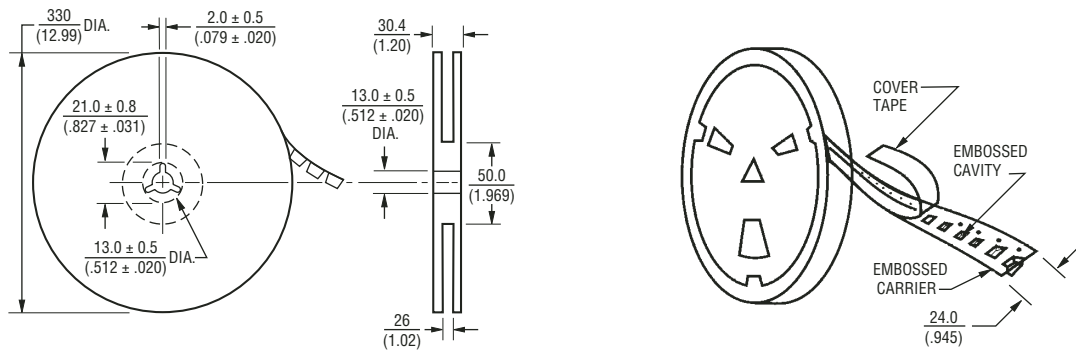
DIMENSIONS: $\frac{\text{MM}}{\text{(INCHES)}}$

*RoHS Directive 2002/95/EC Jan 27 2003 including Annex
 Specifications are subject to change without notice.
 Customers should verify actual device performance in their specific applications.

SRU1048 Series - Shielded SMD Power Inductors

BOURNS®

Packaging Specifications



USER DIRECTION OF FEED →

QTY: 600 PCS. PER REEL

DIMENSIONS: $\frac{\text{MM}}{\text{(INCHES)}}$