



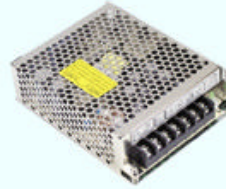
MEAN WELL

SWITCHING POWER SUPPLY

ISO-9001 CERTIFIED MANUFACTURER

T-30 SERIES

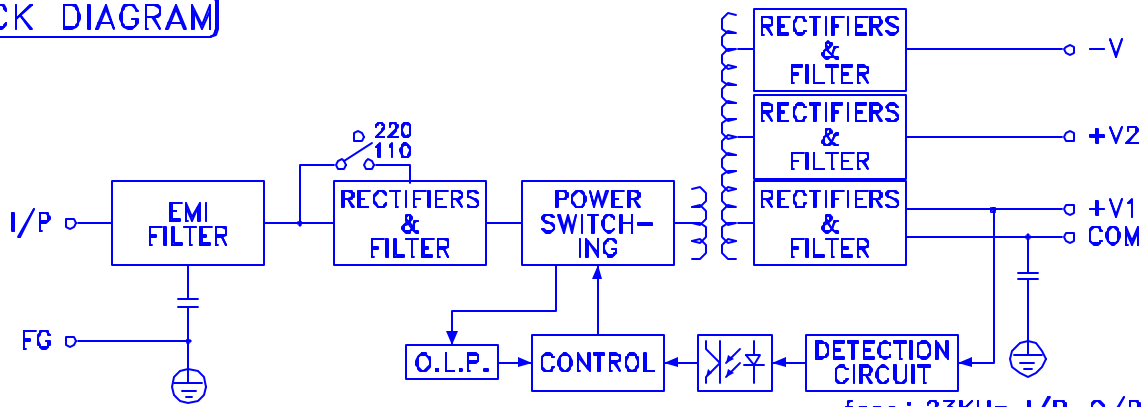
- .LOW COST, HIGH RELIABILITY
- .105° C OUTPUT CAPACITOR
- .INTERNATIONAL AC INPUT RANGE
- .HIGH EFFICIENCY, LOW WORKING TEMPERATURE
- .SOFT-START CIRCUIT, LIMITING AC SURGE CURRENT
- .SHORT CIRCUIT, OVERLOAD PROTECTED
- .COMPACT SIZE, LIGHT WEIGHT
- .100% FULL LOAD BURN-IN TEST
- .BUILT IN EMI FILTER, LOW RIPPLE NOISE



MODEL	T-30A			T-30B		
	CH1	CH2	CH3	CH1	CH2	CH3
DC OUTPUT VOLTAGE	5V	12V	-5V	5V	12V	-12V
OUTPUT V. TOLERANCE	±2%	+2,-6%	+2,-10%	±2%	+2,-6%	±6%
OUTPUT RATED CURRENT	3A	1A	0.5A	3A	1A	0.5A
OUTPUT CURRENT RANGE	0.5-3A	0.1-1A	0.1-0.5A	0.5-3A	0.1-1A	0.1-0.5A
RIPPLE & NOISE	50mVp-p	100mVp-p	50mVp-p	50mVp-p	100mVp-p	100mVp-p
LINE REGULATION	±0.5%	±1%	±1%	±0.5%	±1%	±1%
LOAD REGULATION	±0.5%	±5%	±5%	±0.5%	±5%	±5%
DC OUTPUT POWER	30W			33W		
EFFICIENCY	70%			72%		
DC VOLTAGE ADJ.	CH1:+10, -5%			CH1:+10, -5%		
INPUT VOLTAGE RANGE	85~132VAC / 170~264VAC SELECTED BY SWITCH 47~63Hz; 240~370VDC					
AC CURRENT	0.8A/115V 0.45A/230V					
INRUSH CURRENT	COLD START 18A/115V 36A/230V					
LEAKAGE CURRENT	<0.5mA/240VAC					
OVERLOAD PROTECTION	105%~150% TYPE:FOLDBACK CURRENT LIMITING RESET:AUTO RECOVERY					
OVER VOLTAGE PROTECTION	-----					
OVER TEMP. PROTECTION	-----					
TEMP. COEFFICIENT	±0.03% / ° C (0~50° C) ON +5V OUTPUT					
SETUP, RISE, HOLD UP TIME	200ms, 100ms, 30ms					
VIBRATION	10~500Hz, 2G 10min./1cycle, PERIOD FOR 60min. EACH AXES					
WITHSTAND VOLTAGE	I/P-O/P:1.5KVAC I/P-FG:1.5KVAC O/P-FG:0.5KVAC					
ISOLATION RESISTANCE	I/P-O/P, I/P-FG, O/P-FG:500VDC / 100M Ohms					
WORKING TEMP., HUMIDITY	-10° C~+60° C(REFER TO OUTPUT DERATING CURVE), 20%~90% RH					
STORAGE TEMP., HUMIDITY	-20° C~+85° C, 10%~95% RH					
DIMENSION	129*98*38mm CASE:903					
WEIGHT	0.4Kgs					
SAFETY STANDARDS	MEET UL1012 REQUIREMENT (NOT APPLY FOR THE MARK)					
EMC STANDARDS	MEET FCC PART15 J CONDUCTION CLASS A					

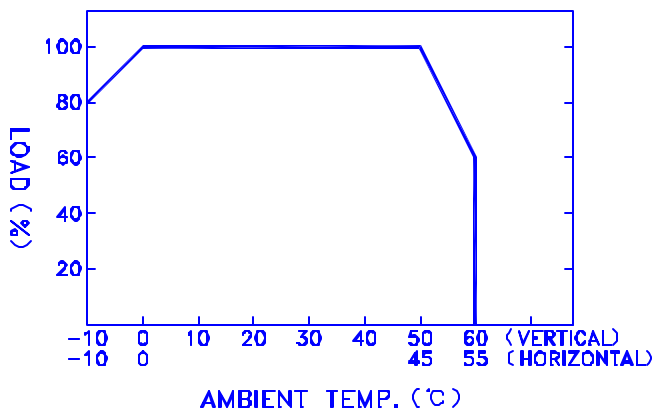
NOTE : 1.ALL PARAMETERS ARE SPECIFIED AT 230VAC INPUT, RATED LOAD, 25° C 70% RH. AMBIENT.
 2.TOLERANCE GINCLUDE SET UP TOLERANCE, LINE REGULATION, LOAD REGULATION.
 3.RIPPLE & NOISE ARE MEASURED AT 20MHZ BY USING A 12" TWISTED PAIR TERMINATED WITH A 0.1uF & 47uF CAPACITOR.
 4.LINE REGULATION IS MEASURED FROM LOW LINE TO HIGH LINE AT RATED LOAD.
 5.LOAD REGULATION IS MEASURED FROM 20% TO 100% RATED LOAD, AND OTHER OUTPUT AT 60% RATED LOAD.

BLOCK DIAGRAM

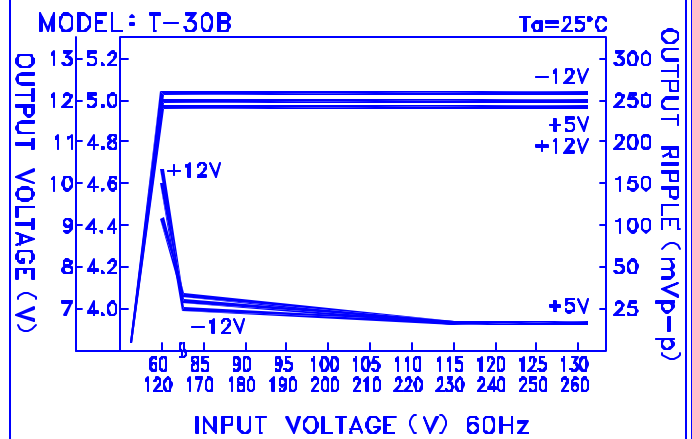


fosc : 23KHz I/P-O/P:RATED

OUTPUT DERATING



STATIC CHARACTERISTICS



DIMENSION (mm)

- ☒ CASE : 903
- ☒ TERMINAL PIN NO. ASSIGNMENT
 - ☒ PIN 1,2 : AC INPUT
 - ☒ PIN 3 : FG \oplus
 - ☒ PIN 4 : DC OUTPUT -V
 - ☒ PIN 5 : DC OUTPUT +V2
 - ☒ PIN 6 : DC OUTPUT COM
 - ☒ PIN 7 : DC OUTPUT +V1

