

# DATA SHEET

## **TDA8351** DC-coupled vertical deflection circuit

Product specification  
Supersedes data of January 1995  
File under Integrated Circuits, IC02

1999 Sep 27

## DC-coupled vertical deflection circuit

## TDA8351

## FEATURES

- Few external components
- Highly efficient fully DC-coupled vertical output bridge circuit
- Vertical flyback switch
- Guard circuit
- Protection against:
  - short-circuit of the output pins (7 and 4)
  - short-circuit of the output pins to  $V_P$
- Temperature protection
- High EMC immunity because of common mode inputs
- A guard signal in zoom mode.

## GENERAL DESCRIPTION

The TDA8351 is a power circuit for use in 90° and 110° colour deflection systems for field frequencies of 50 to 120 Hz. The circuit provides a DC driven vertical deflection output circuit, operating as a highly efficient class G system.

## QUICK REFERENCE DATA

SYMBOL	PARAMETER	CONDITIONS	MIN.	TYP.	MAX.	UNIT
<b>DC supply</b>						
$V_P$	supply voltage		9	–	25	V
$I_q$	quiescent supply current		–	30	–	mA
<b>Vertical circuit</b>						
$I_{O(p-p)}$	output current (peak-to-peak value)		–	–	3	A
$I_{diff(p-p)}$	differential input current (peak-to-peak value)		–	600	–	$\mu$ A
$V_{diff(p-p)}$	differential input voltage (peak-to-peak value)		–	1.5	1.8	V
<b>Flyback switch</b>						
$I_M$	peak output current		–	–	$\pm 1.5$	A
$V_{FB}$	flyback supply voltage		–	–	50	V
		note 1	–	–	60	V
<b>Thermal data (in accordance with IEC 747-1)</b>						
$T_{stg}$	storage temperature		–55	–	+150	°C
$T_{amb}$	operating ambient temperature		–25	–	+75	°C
$T_{vj}$	virtual junction temperature		–	–	150	°C

## Note

1. A flyback supply voltage of >50 V up to 60 V is allowed in application. A 220 nF capacitor in series with a 22  $\Omega$  resistor (depending on  $I_O$  and the inductance of the coil) has to be connected between pin 7 and ground. The decoupling capacitor of  $V_{FB}$  has to be connected between pin 6 and pin 3. This supply voltage line must have a resistance of 33  $\Omega$  (see application circuit Fig.6).

DC-coupled vertical deflection circuit

TDA8351

ORDERING INFORMATION

TYPE NUMBER	PACKAGE		
	NAME	DESCRIPTION	VERSION
TDA8351	SIL9P	plastic single-in-line power package; 9 leads	SOT131-2

BLOCK DIAGRAM

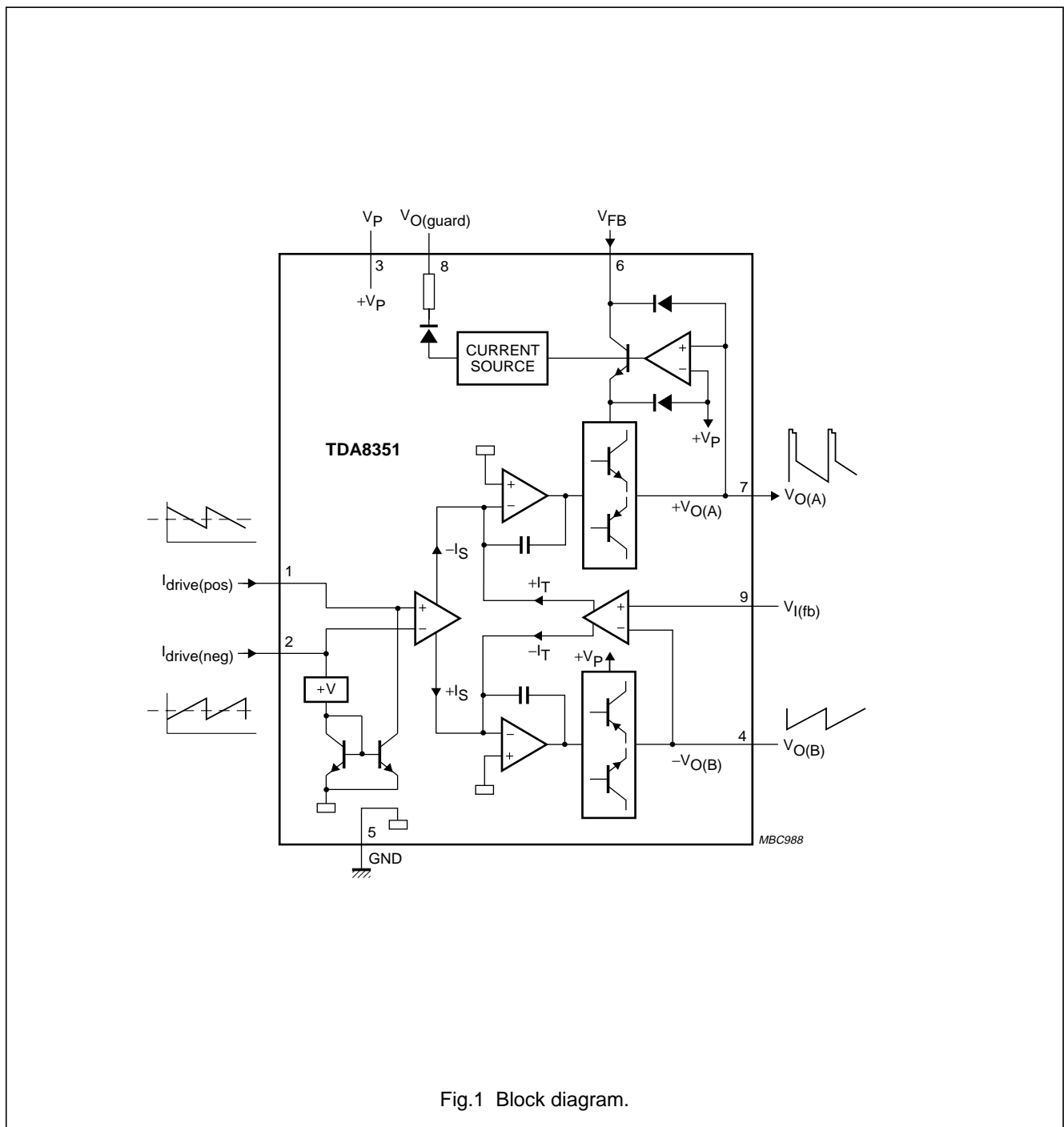


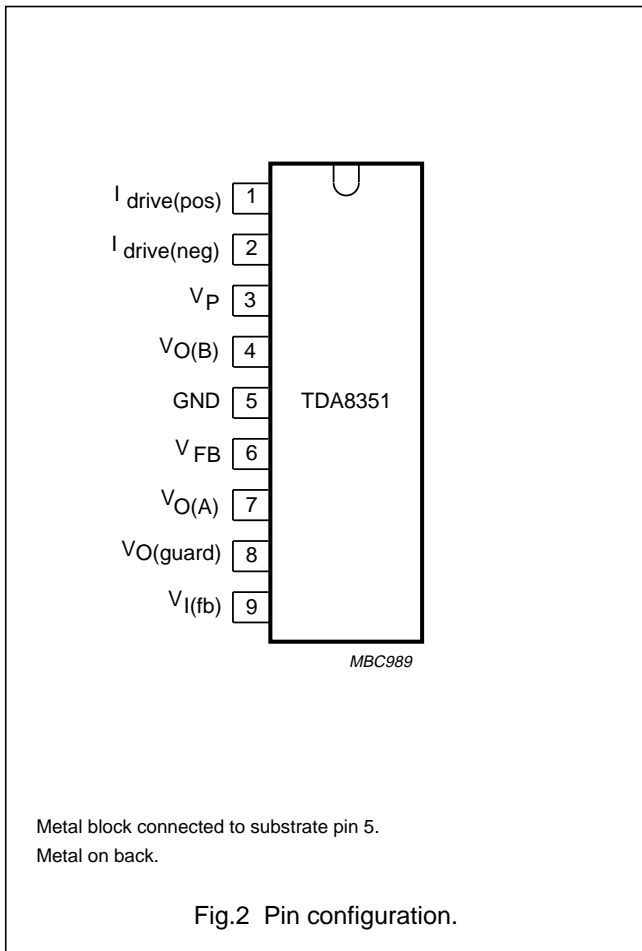
Fig.1 Block diagram.

DC-coupled vertical deflection circuit

TDA8351

PINNING

SYMBOL	PIN	DESCRIPTION
I <sub>drive(pos)</sub>	1	input power-stage (positive); includes I <sub>I(sb)</sub> signal bias
I <sub>drive(neg)</sub>	2	input power-stage (negative); includes I <sub>I(sb)</sub> signal bias
V <sub>P</sub>	3	operating supply voltage
V <sub>O(B)</sub>	4	output voltage B
GND	5	ground
V <sub>FB</sub>	6	input flyback supply voltage
V <sub>O(A)</sub>	7	output voltage A
V <sub>O(guard)</sub>	8	guard output voltage
V <sub>I(fb)</sub>	9	input feedback voltage



FUNCTIONAL DESCRIPTION

The vertical driver circuit is a bridge configuration. The deflection coil is connected between the output amplifiers, which are driven in opposite phase. An external resistor (R<sub>M</sub>) connected in series with the deflection coil provides internal feedback information. The differential input circuit is voltage driven. The input circuit has been adapted to enable it to be used with the TDA9150, TDA9151B, TDA9160A, TDA9162, TDA8366 and TDA8376 which deliver symmetrical current signals. An external resistor (R<sub>CON</sub>) connected between the differential input determines the output current through the deflection coil. The relationship between the differential input current and the output current is defined by: I<sub>diff</sub> × R<sub>CON</sub> = I<sub>coil</sub> × R<sub>M</sub>. The output current is adjustable from 0.5 A (p-p) to 3 A (p-p) by varying R<sub>M</sub>. The maximum input differential voltage is 1.8 V. In the application it is recommended that V<sub>diff</sub> = 1.5 V (typ). This is recommended because of the spread of input current and the spread in the value of R<sub>CON</sub>.

The flyback voltage is determined by an additional supply voltage V<sub>FB</sub>. The principle of operating with two supply voltages (class G) makes it possible to fix the supply voltage V<sub>P</sub> optimum for the scan voltage and the second supply voltage V<sub>FB</sub> optimum for the flyback voltage. Using this method, very high efficiency is achieved.

The supply voltage V<sub>FB</sub> is almost totally available as flyback voltage across the coil, this being possible due to the absence of a decoupling capacitor (not necessary, due to the bridge configuration). Built-in protections are:

- thermal protection
- short-circuit protection of the output pins (pins 4 and 7)
- short-circuit protection of the output pins to V<sub>P</sub>.

A guard circuit V<sub>O(guard)</sub> is provided. The guard circuit is activated at the following conditions:

- during flyback
- during short-circuit of the coil and during short-circuit of the output pins (pins 4 and 7) to V<sub>P</sub> or ground
- during open loop
- when the thermal protection is activated.

This signal can be used for blanking the picture tube screen.

## DC-coupled vertical deflection circuit

TDA8351

**LIMITING VALUES**

In accordance with the Absolute Maximum Rating System (IEC 134).

SYMBOL	PARAMETER	CONDITIONS	MIN.	MAX.	UNIT
<b>DC supply</b>					
$V_P$	supply voltage	non-operating	–	40	V
			–	25	V
$V_{FB}$	flyback supply voltage		–	50	V
		note 1	–	60	V
<b>Vertical circuit</b>					
$I_{O(p-p)}$	output current (peak-to-peak value)	note 2	–	3	A
$V_{O(A)}$	output voltage (pin 7)		–	52	V
		note 1	–	62	V
<b>Flyback switch</b>					
$I_M$	peak output current		–	$\pm 1.5$	A
<b>Thermal data (in accordance with IEC 747-1)</b>					
$T_{stg}$	storage temperature		–55	+150	°C
$T_{amb}$	operating ambient temperature		–25	+75	°C
$T_{vj}$	virtual junction temperature		–	150	°C
$R_{th\ vj-c}$	resistance $v_j$ -case		–	4	K/W
$R_{th\ vj-a}$	resistance $v_j$ -ambient in free air		–	40	K/W
$t_{sc}$	short-circuiting time	note 3	–	1	hr

**Notes**

1. A flyback supply voltage of >50 V up to 60 V is allowed in application. A 220 nF capacitor in series with a 22  $\Omega$  resistor (depending on  $I_O$  and the inductance of the coil) has to be connected between pin 7 and ground. The decoupling capacitor of  $V_{FB}$  has to be connected between pin 6 and pin 3. This supply voltage line must have a resistance of 33  $\Omega$  (see application circuit Fig.6).
2.  $I_O$  maximum determined by current protection.
3. Up to  $V_P = 18$  V.

## DC-coupled vertical deflection circuit

## TDA8351

## CHARACTERISTICS

$V_P = 17.5$  V;  $T_{amb} = 25$  °C;  $V_{FB} = 45$  V;  $f_i = 50$  Hz;  $I_{I(sb)} = 400$   $\mu$ A; measured in test circuit of Fig.3; unless otherwise specified.

SYMBOL	PARAMETER	CONDITIONS	MIN.	TYP.	MAX.	UNIT
<b>DC supply</b>						
$V_P$	operating supply voltage		9.0	–	25	V
$V_{FB}$	flyback supply voltage		$V_P$	–	50	V
		note 1	$V_P$	–	60	V
$I_P$	supply current	no signal; no load	–	30	55	mA
<b>Vertical circuit</b>						
$V_O$	output voltage swing (scan)	$I_{diff} = 0.6$ mA (p-p); $V_{diff} = 1.8$ V (p-p); $I_O = 3$ A (p-p)	19.8	–	–	V
LE	linearity error	$I_O = 3$ A (p-p); note 2	–	1	3	%
		$I_O = 50$ mA (p-p); note 2	–	1	3	%
$V_O$	output voltage swing (flyback) $V_{O(A)} - V_{O(B)}$	$I_{diff} = 0.3$ mA; $I_O = 1.5$ A	–	39	–	V
$V_{DF}$	forward voltage of the internal efficiency diode ( $V_{O(A)} - V_{FB}$ )	$I_O = -1.5$ A; $I_{diff} = 0.3$ mA	–	–	1.5	V
$I_{osl}$	output offset current	$I_{diff} = 0$ ; $I_{I(sb)} = 50$ to 500 $\mu$ A	–	–	30	mA
$ V_{osl} $	offset voltage at the input of the feedback amplifier ( $V_{I(fb)} - V_{O(B)}$ )	$I_{diff} = 0$ ; $I_{I(sb)} = 50$ to 500 $\mu$ A	–	–	18	mV
$\Delta V_{osT}$	output offset voltage as a function of temperature	$I_{diff} = 0$	–	–	72	$\mu$ V/K
$V_{O(A)}$	DC output voltage	$I_{diff} = 0$ ; note 3	–	8.0	–	V
$G_{vo}$	open-loop voltage gain ( $V_{7-4}/V_{1-2}$ )	notes 4 and 5	–	80	–	dB
	open loop voltage gain ( $V_{7-4}/V_{9-4}$ ; $V_{1-2} = 0$ )	note 4	–	80	–	dB
$V_R$	voltage ratio $V_{1-2}/V_{9-4}$		–	0	–	dB
$f_{res}$	frequency response (–3 dB)	open loop; note 6	–	40	–	Hz
$G_I$	current gain ( $I_O/I_{diff}$ )		–	5000	–	
$\Delta G_{cT}$	current gain drift as a function of temperature		–	–	$10^{-4}$	K
$I_{I(sb)}$	signal bias current		50	400	500	$\mu$ A
$I_{FB}$	flyback supply current	during scan	–	–	100	$\mu$ A
PSRR	power supply ripple rejection	note 7	–	80	–	dB
$V_{I(DC)}$	DC input voltage		–	2.7	–	V
$V_{I(CM)}$	common mode input voltage	$I_{I(sb)} = 0$	0	–	1.6	V
$I_{bias}$	input bias current	$I_{I(sb)} = 0$	–	0.1	0.5	$\mu$ A
$I_{O(CM)}$	common mode output current	$\Delta I_{I(sb)} = 300$ $\mu$ A (p-p); $f_i = 50$ Hz; $I_{diff} = 0$	–	0.2	–	mA

## DC-coupled vertical deflection circuit

TDA8351

SYMBOL	PARAMETER	CONDITIONS	MIN.	TYP.	MAX.	UNIT
<b>Guard circuit</b>						
I <sub>O</sub>	output current	not active; V <sub>O(guard)</sub> = 0 V	–	–	50	μA
		active; V <sub>O(guard)</sub> = 3.6 V	1	–	2.5	mA
V <sub>O(guard)</sub>	output voltage on pin 8	I <sub>O</sub> = 100 μA	4.6	–	5.5	V
	allowable voltage on pin 8	maximum leakage current = 10 μA;	–	–	40	V

**Notes**

- A flyback supply voltage of >50 V up to 60 V is allowed in application. A 220 nF capacitor in series with a 22 Ω resistor (dependent on I<sub>O</sub> and the inductance of the coil) has to be connected between pin 7 and ground. The decoupling capacitor of V<sub>FB</sub> has to be connected between pin 6 and pin 3. This supply voltage line must have a resistance of 33 Ω (see application circuit Fig.6).
- The linearity error is measured without S-correction and based on the same measurement principle as performed on the screen. The measuring method is as follows:  
Divide the output signal I<sub>4</sub> – I<sub>7</sub> (V<sub>RM</sub>) into 22 equal parts ranging from 1 to 22 inclusive. Measure the value of two succeeding parts called one block starting with part 2 and 3 (block 1) and ending with part 20 and 21 (block 10). Thus part 1 and 22 are unused. The equations for linearity error for adjacent blocks (LEAB) and linearity error for not adjacent blocks (LENAB) are given below:  

$$LEAB = \frac{a_k - a_{(k+1)}}{a_{avg}} ; LENAB = \frac{a_{max} - a_{min}}{a_{avg}}$$
- Referenced to V<sub>P</sub>.
- The V values within formulae relate to voltages at or across relative pin numbers, i.e. V<sub>7-4</sub>/V<sub>1-2</sub> = voltage value across pins 7 and 4 divided by voltage value across pins 1 and 2.
- V<sub>9-4</sub> AC short-circuited.
- Frequency response V<sub>7-4</sub>/V<sub>9-4</sub> is equal to frequency response V<sub>7-4</sub>/V<sub>1-2</sub>.
- At V<sub>(ripple)</sub> = 500 mV eff; measured across R<sub>M</sub>; f<sub>i</sub> = 50 Hz.

DC-coupled vertical deflection circuit

TDA8351

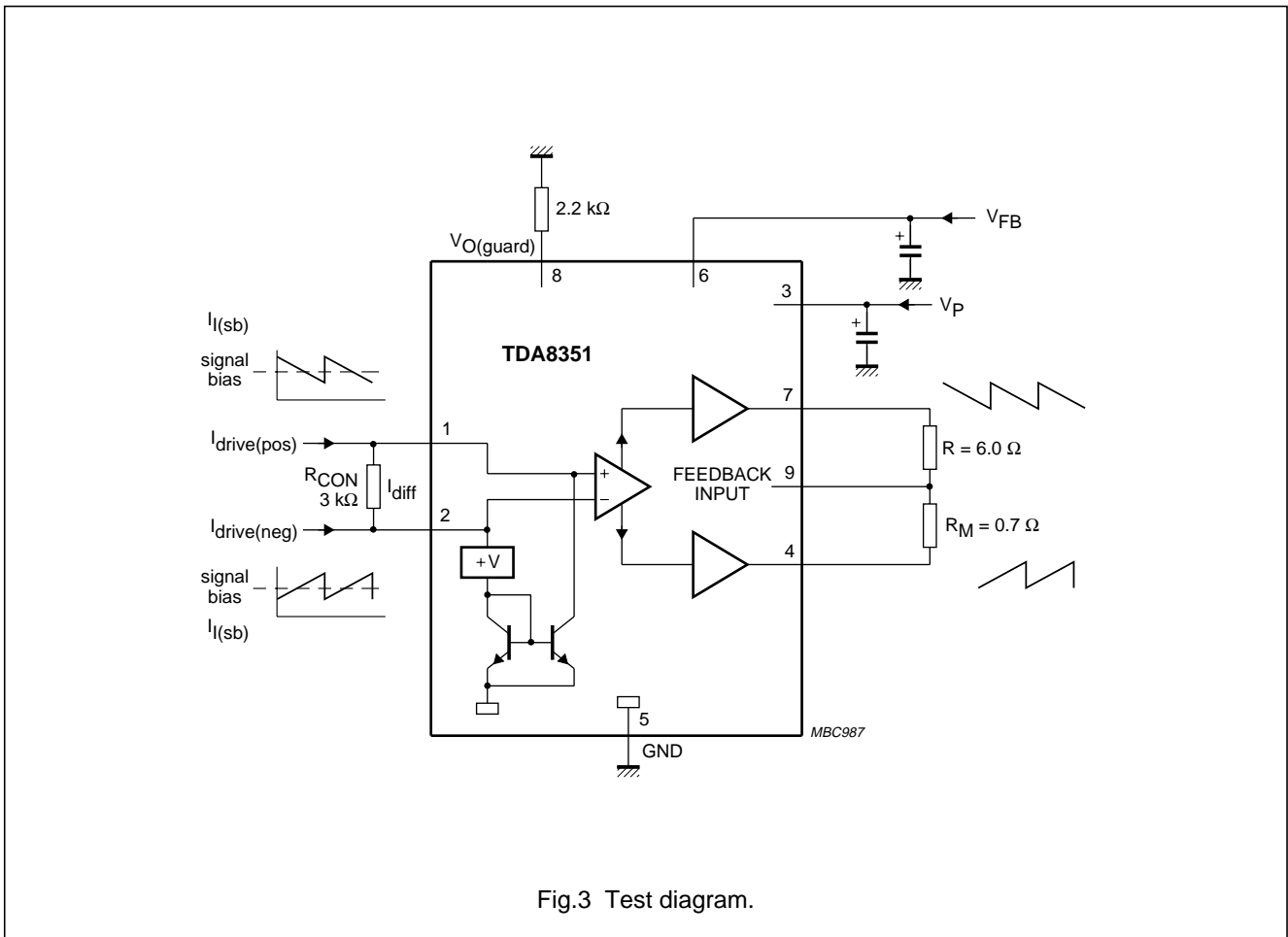


Fig.3 Test diagram.

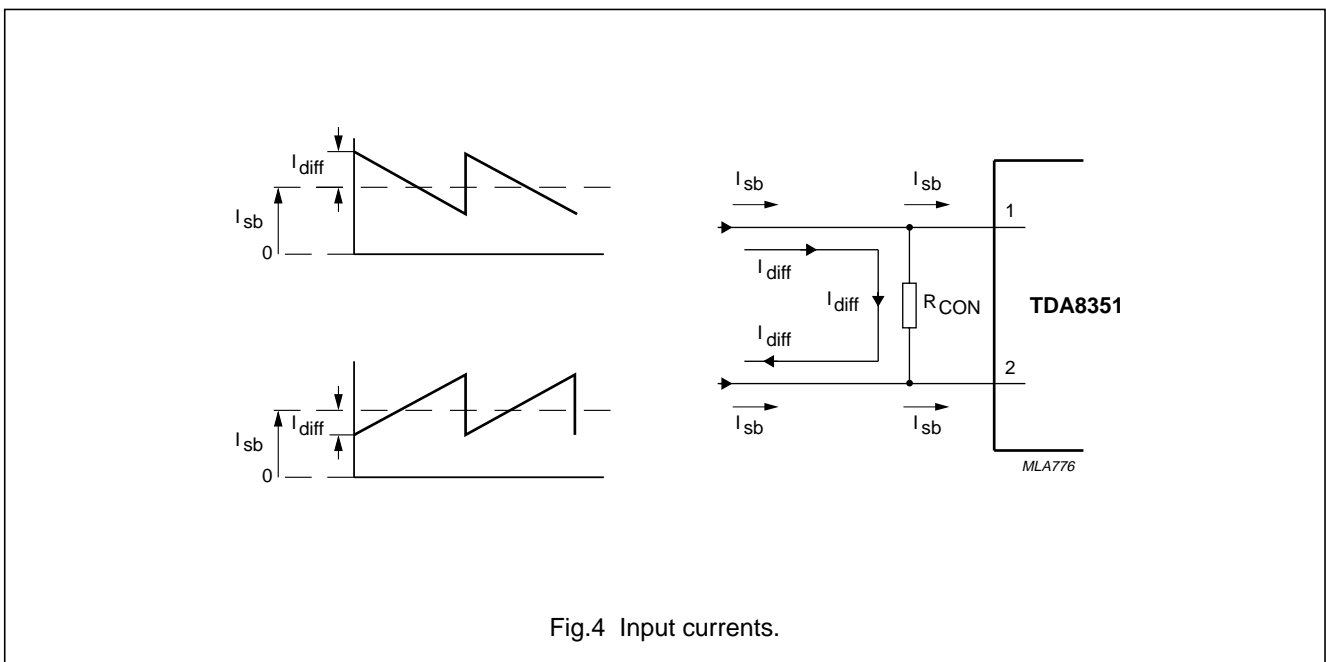


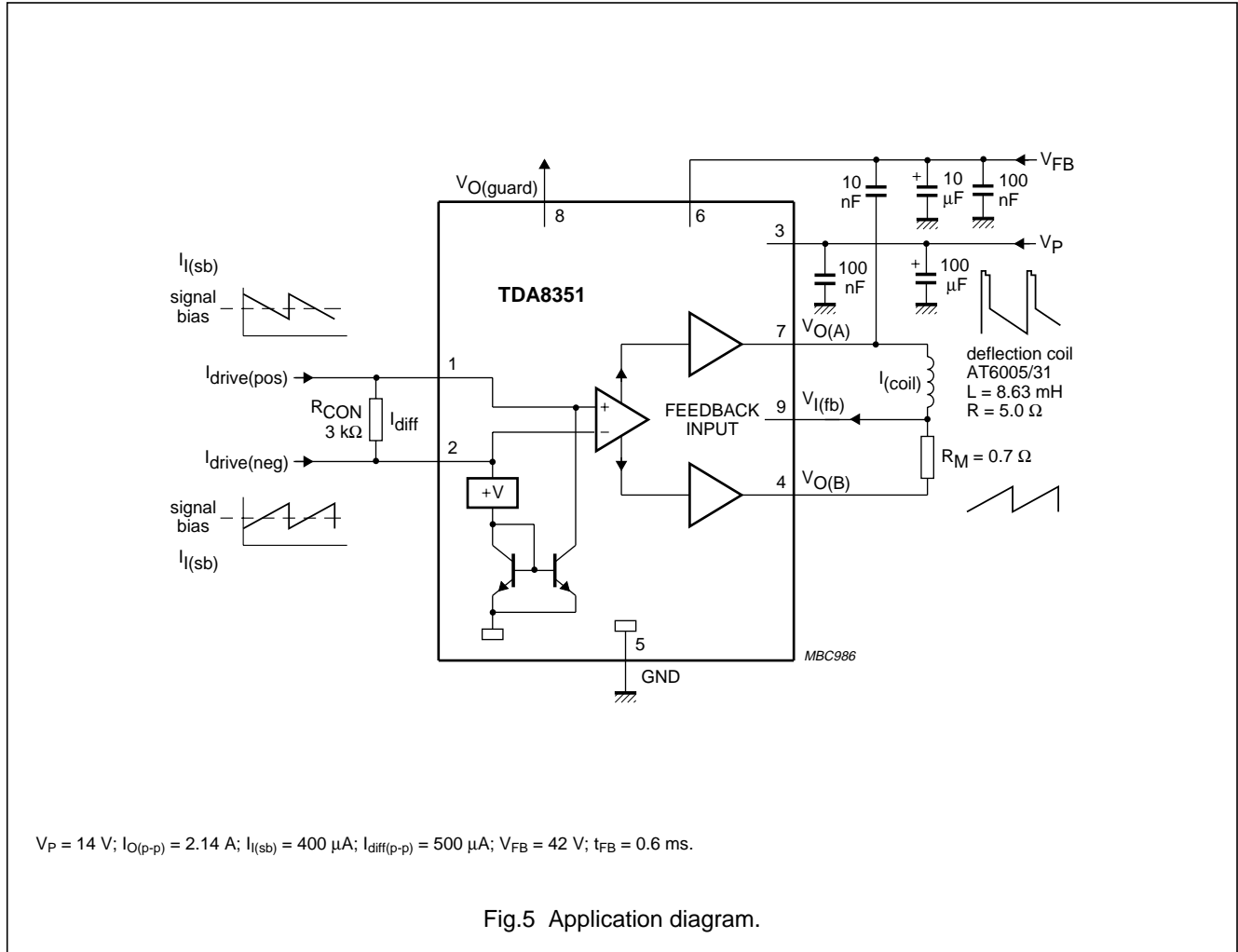
Fig.4 Input currents.



DC-coupled vertical deflection circuit

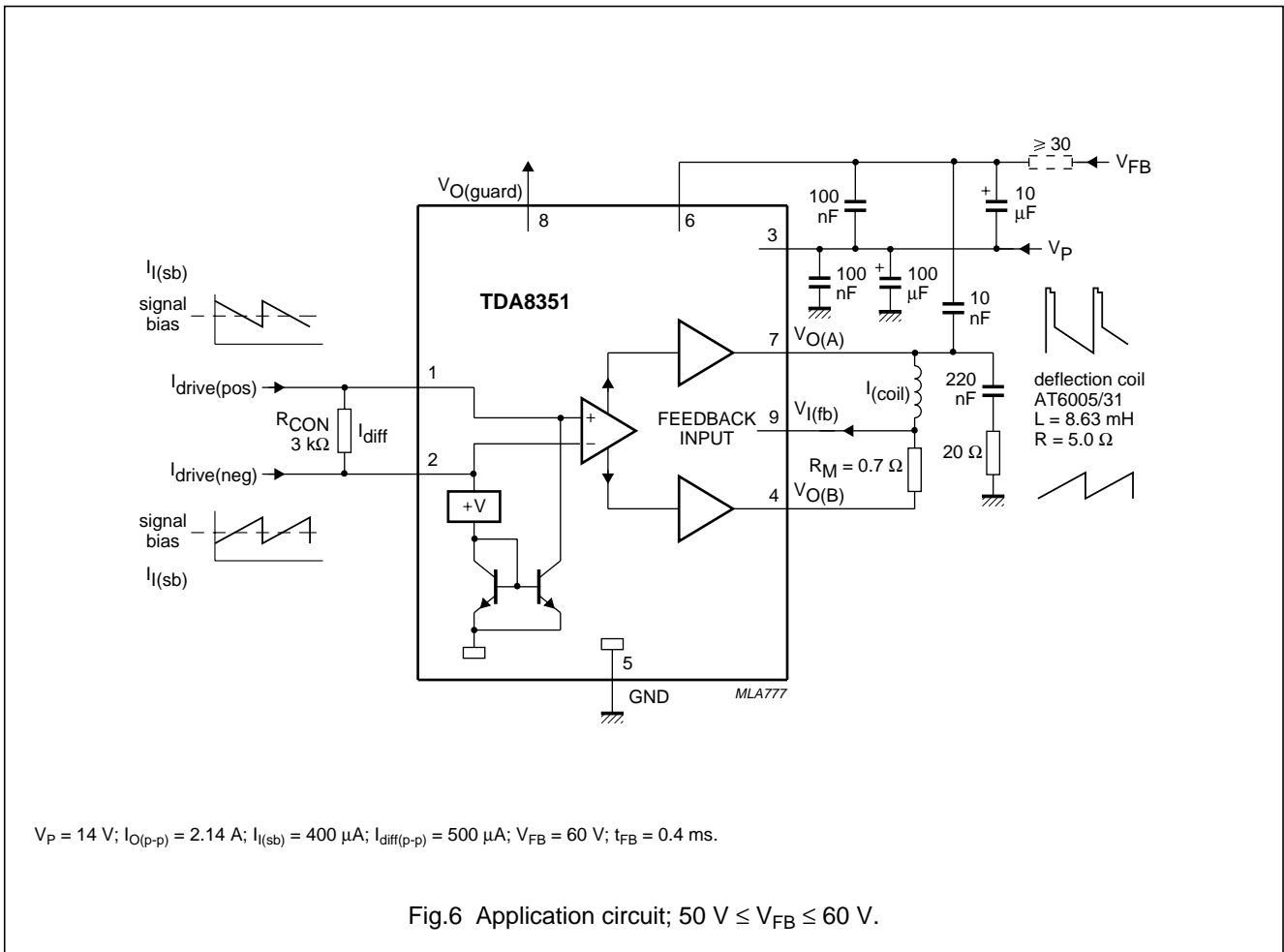
TDA8351

APPLICATION INFORMATION



DC-coupled vertical deflection circuit

TDA8351



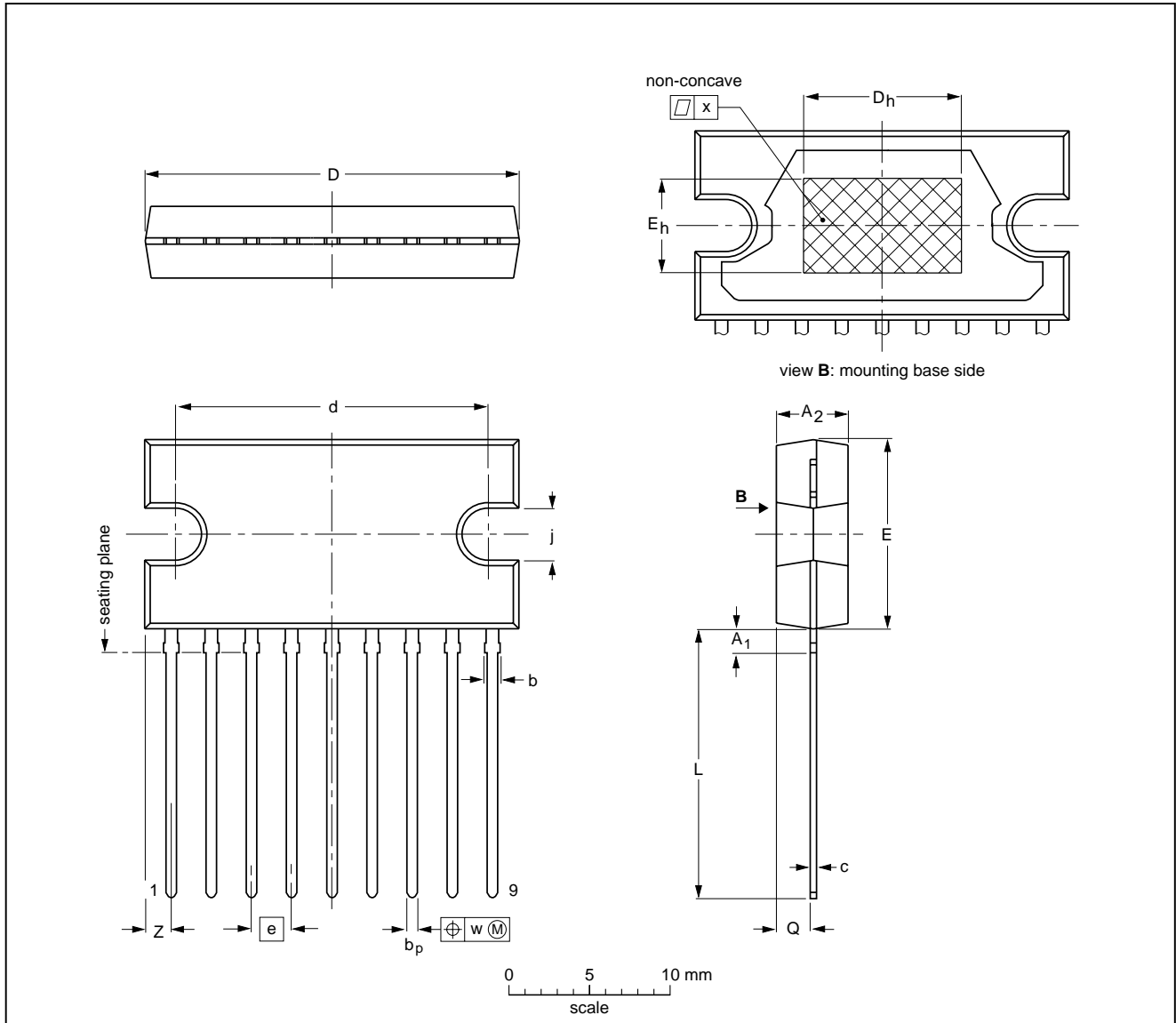
DC-coupled vertical deflection circuit

TDA8351

PACKAGE OUTLINE

SIL9P: plastic single in-line power package; 9 leads

SOT131-2



DIMENSIONS (mm are the original dimensions)

UNIT	A <sub>1</sub> max.	A <sub>2</sub>	b max.	b <sub>p</sub>	c	D <sup>(1)</sup>	d	D <sub>h</sub>	E <sup>(1)</sup>	e	E <sub>h</sub>	j	L	Q	w	x	z <sup>(1)</sup>
mm	2.0	4.6 4.2	1.1	0.75 0.60	0.48 0.38	24.0 23.6	20.0 19.6	10	12.2 11.8	2.54	6	3.4 3.1	17.2 16.5	2.1 1.8	0.25	0.03	2.00 1.45

Note

1. Plastic or metal protrusions of 0.25 mm maximum per side are not included.

OUTLINE VERSION	REFERENCES				EUROPEAN PROJECTION	ISSUE DATE
	IEC	JEDEC	EIAJ			
SOT131-2						92-11-17 95-03-11

## DC-coupled vertical deflection circuit

TDA8351

**SOLDERING****Introduction to soldering through-hole mount packages**

This text gives a brief insight to wave, dip and manual soldering. A more in-depth account of soldering ICs can be found in our "Data Handbook IC26; Integrated Circuit Packages" (document order number 9398 652 90011).

Wave soldering is the preferred method for mounting of through-hole mount IC packages on a printed-circuit board.

**Soldering by dipping or by solder wave**

The maximum permissible temperature of the solder is 260 °C; solder at this temperature must not be in contact with the joints for more than 5 seconds.

The total contact time of successive solder waves must not exceed 5 seconds.

The device may be mounted up to the seating plane, but the temperature of the plastic body must not exceed the specified maximum storage temperature ( $T_{stg(max)}$ ). If the printed-circuit board has been pre-heated, forced cooling may be necessary immediately after soldering to keep the temperature within the permissible limit.

**Manual soldering**

Apply the soldering iron (24 V or less) to the lead(s) of the package, either below the seating plane or not more than 2 mm above it. If the temperature of the soldering iron bit is less than 300 °C it may remain in contact for up to 10 seconds. If the bit temperature is between 300 and 400 °C, contact may be up to 5 seconds.

**Suitability of through-hole mount IC packages for dipping and wave soldering methods**

PACKAGE	SOLDERING METHOD	
	DIPPING	WAVE
DBS, DIP, HDIP, SDIP, SIL	suitable	suitable <sup>(1)</sup>

**Note**

- For SDIP packages, the longitudinal axis must be parallel to the transport direction of the printed-circuit board.

**DEFINITIONS**

Data sheet status	
Objective specification	This data sheet contains target or goal specifications for product development.
Preliminary specification	This data sheet contains preliminary data; supplementary data may be published later.
Product specification	This data sheet contains final product specifications.
Limiting values	
Limiting values given are in accordance with the Absolute Maximum Rating System (IEC 134). Stress above one or more of the limiting values may cause permanent damage to the device. These are stress ratings only and operation of the device at these or at any other conditions above those given in the Characteristics sections of this specification is not implied. Exposure to limiting values for extended periods may affect device reliability.	
Application information	
Where application information is given, it is advisory and does not form part of the specification.	

**LIFE SUPPORT APPLICATIONS**

These products are not designed for use in life support appliances, devices, or systems where malfunction of these products can reasonably be expected to result in personal injury. Philips customers using or selling these products for use in such applications do so at their own risk and agree to fully indemnify Philips for any damages resulting from such improper use or sale.

DC-coupled vertical deflection circuit

TDA8351

---

**NOTES**

DC-coupled vertical deflection circuit

TDA8351

---

**NOTES**

DC-coupled vertical deflection circuit

TDA8351

---

**NOTES**

# Philips Semiconductors – a worldwide company

**Argentina:** see South America

**Australia:** 3 Figtree Drive, HOMEBUSH, NSW 2140,  
Tel. +61 2 9704 8141, Fax. +61 2 9704 8139

**Austria:** Computerstr. 6, A-1101 WIEN, P.O. Box 213,  
Tel. +43 1 60 101 1248, Fax. +43 1 60 101 1210

**Belarus:** Hotel Minsk Business Center, Bld. 3, r. 1211, Volodarski Str. 6,  
220050 MINSK, Tel. +375 172 20 0733, Fax. +375 172 20 0773

**Belgium:** see The Netherlands

**Brazil:** see South America

**Bulgaria:** Philips Bulgaria Ltd., Energoproject, 15th floor,  
51 James Bourchier Blvd., 1407 SOFIA,  
Tel. +359 2 68 9211, Fax. +359 2 68 9102

**Canada:** PHILIPS SEMICONDUCTORS/COMPONENTS,  
Tel. +1 800 234 7381, Fax. +1 800 943 0087

**China/Hong Kong:** 501 Hong Kong Industrial Technology Centre,  
72 Tat Chee Avenue, Kowloon Tong, HONG KONG,  
Tel. +852 2319 7888, Fax. +852 2319 7700

**Colombia:** see South America

**Czech Republic:** see Austria

**Denmark:** Sydhavnsgade 23, 1780 COPENHAGEN V,  
Tel. +45 33 29 3333, Fax. +45 33 29 3905

**Finland:** Sinikalliontie 3, FIN-02630 ESPOO,  
Tel. +358 9 615 800, Fax. +358 9 6158 0920

**France:** 51 Rue Carnot, BP317, 92156 SURESNES Cedex,  
Tel. +33 1 4099 6161, Fax. +33 1 4099 6427

**Germany:** Hammerbrookstraße 69, D-20097 HAMBURG,  
Tel. +49 40 2353 60, Fax. +49 40 2353 6300

**Hungary:** see Austria

**India:** Philips INDIA Ltd, Band Box Building, 2nd floor,  
254-D, Dr. Annie Besant Road, Worli, MUMBAI 400 025,  
Tel. +91 22 493 8541, Fax. +91 22 493 0966

**Indonesia:** PT Philips Development Corporation, Semiconductors Division,  
Gedung Philips, Jl. Buncit Raya Kav.99-100, JAKARTA 12510,  
Tel. +62 21 794 0040 ext. 2501, Fax. +62 21 794 0080

**Ireland:** Newstead, Clonskeagh, DUBLIN 14,  
Tel. +353 1 7640 000, Fax. +353 1 7640 200

**Israel:** RAPAC Electronics, 7 Kehilat Saloniki St, PO Box 18053,  
TEL AVIV 61180, Tel. +972 3 645 0444, Fax. +972 3 649 1007

**Italy:** PHILIPS SEMICONDUCTORS, Via Casati, 23 - 20052 MONZA (MI),  
Tel. +39 039 203 6838, Fax +39 039 203 6800

**Japan:** Philips Bldg 13-37, Kohnan 2-chome, Minato-ku,  
TOKYO 108-8507, Tel. +81 3 3740 5130, Fax. +81 3 3740 5057

**Korea:** Philips House, 260-199 Itaewon-dong, Yongsan-ku, SEOUL,  
Tel. +82 2 709 1412, Fax. +82 2 709 1415

**Malaysia:** No. 76 Jalan Universiti, 46200 PETALING JAYA, SELANGOR,  
Tel. +60 3 750 5214, Fax. +60 3 757 4880

**Mexico:** 5900 Gateway East, Suite 200, EL PASO, TEXAS 79905,  
Tel. +9-5 800 234 7381, Fax +9-5 800 943 0087

**Middle East:** see Italy

**Netherlands:** Postbus 90050, 5600 PB EINDHOVEN, Bldg. VB,  
Tel. +31 40 27 82785, Fax. +31 40 27 88399

**New Zealand:** 2 Wagener Place, C.P.O. Box 1041, AUCKLAND,  
Tel. +64 9 849 4160, Fax. +64 9 849 7811

**Norway:** Box 1, Manglerud 0612, OSLO,  
Tel. +47 22 74 8000, Fax. +47 22 74 8341

**Pakistan:** see Singapore

**Philippines:** Philips Semiconductors Philippines Inc.,  
106 Valero St. Salcedo Village, P.O. Box 2108 MCC, MAKATI,  
Metro MANILA, Tel. +63 2 816 6380, Fax. +63 2 817 3474

**Poland:** Al.Jerozolimskie 195 B, 02-222 WARSAW,  
Tel. +48 22 5710 000, Fax. +48 22 5710 001

**Portugal:** see Spain

**Romania:** see Italy

**Russia:** Philips Russia, Ul. Usatcheva 35A, 119048 MOSCOW,  
Tel. +7 095 755 6918, Fax. +7 095 755 6919

**Singapore:** Lorong 1, Toa Payoh, SINGAPORE 319762,  
Tel. +65 350 2538, Fax. +65 251 6500

**Slovakia:** see Austria

**Slovenia:** see Italy

**South Africa:** S.A. PHILIPS Pty Ltd., 195-215 Main Road Martindale,  
2092 JOHANNESBURG, P.O. Box 58088 Newville 2114,  
Tel. +27 11 471 5401, Fax. +27 11 471 5398

**South America:** Al. Vicente Pinzon, 173, 6th floor,  
04547-130 SÃO PAULO, SP, Brazil,  
Tel. +55 11 821 2333, Fax. +55 11 821 2382

**Spain:** Balmes 22, 08007 BARCELONA,  
Tel. +34 93 301 6312, Fax. +34 93 301 4107

**Sweden:** Kottbygatan 7, Akalla, S-16485 STOCKHOLM,  
Tel. +46 8 5985 2000, Fax. +46 8 5985 2745

**Switzerland:** Allmendstrasse 140, CH-8027 ZÜRICH,  
Tel. +41 1 488 2741 Fax. +41 1 488 3263

**Taiwan:** Philips Semiconductors, 6F, No. 96, Chien Kuo N. Rd., Sec. 1,  
TAIPEI, Taiwan Tel. +886 2 2134 2886, Fax. +886 2 2134 2874

**Thailand:** PHILIPS ELECTRONICS (THAILAND) Ltd.,  
209/2 Sanpavuth-Bangna Road Prakanong, BANGKOK 10260,  
Tel. +66 2 745 4090, Fax. +66 2 398 0793

**Turkey:** Yukari Dudullu, Org. San. Blg., 2.Cad. Nr. 28 81260 Umraniye,  
ISTANBUL, Tel. +90 216 522 1500, Fax. +90 216 522 1813

**Ukraine:** PHILIPS UKRAINE, 4 Patrice Lumumba str., Building B, Floor 7,  
252042 KIEV, Tel. +380 44 264 2776, Fax. +380 44 268 0461

**United Kingdom:** Philips Semiconductors Ltd., 276 Bath Road, Hayes,  
MIDDLESEX UB3 5BX, Tel. +44 208 730 5000, Fax. +44 208 754 8421

**United States:** 811 East Arques Avenue, SUNNYVALE, CA 94088-3409,  
Tel. +1 800 234 7381, Fax. +1 800 943 0087

**Uruguay:** see South America

**Vietnam:** see Singapore

**Yugoslavia:** PHILIPS, Trg N. Pasica 5/v, 11000 BEOGRAD,  
Tel. +381 11 62 5344, Fax.+381 11 63 5777

**For all other countries apply to:** Philips Semiconductors,  
International Marketing & Sales Communications, Building BE-p, P.O. Box 218,  
5600 MD EINDHOVEN, The Netherlands, Fax. +31 40 27 24825

**Internet:** <http://www.semiconductors.philips.com>

© Philips Electronics N.V. 1999

SCA 68

All rights are reserved. Reproduction in whole or in part is prohibited without the prior written consent of the copyright owner.

The information presented in this document does not form part of any quotation or contract, is believed to be accurate and reliable and may be changed without notice. No liability will be accepted by the publisher for any consequence of its use. Publication thereof does not convey nor imply any license under patent- or other industrial or intellectual property rights.

Printed in The Netherlands

545004/02/pp16

Date of release: 1999 Sep 27

Document order number: 9397 750 06203

*Let's make things better.*

**Philips**  
Semiconductors



**PHILIPS**