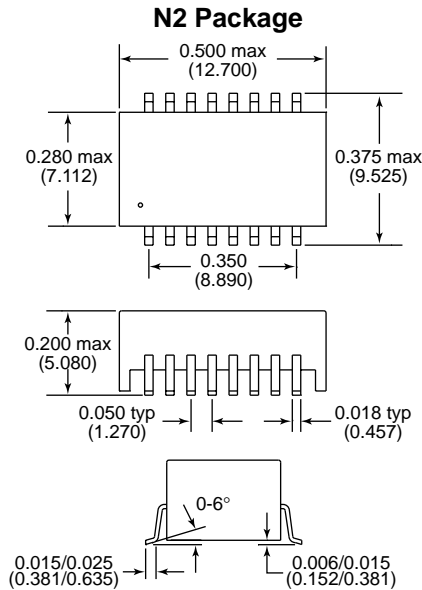


HALO Electronics has developed the ULTRA™ series of 16 pin SOIC Isolation Modules to meet the requirements of IEEE 802.3 for 10/100BASE-TX and ATM155 applications. Designed to provide a significant real estate reduction at the lowest price. Standard devices are available for all Phys. Please visit our web site to select the correct device for the corresponding Phy.

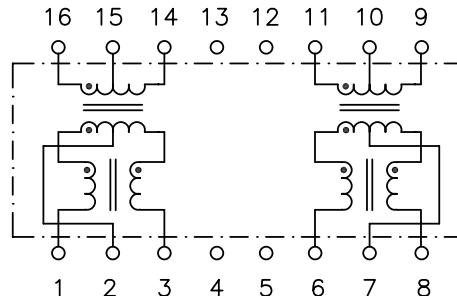


DIMENSIONS: Inch(mm)
CO-PLANARITY: 0.004(0.102)

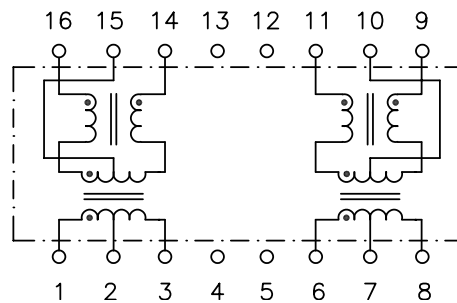
Electrical Specifications @ 25°C

| | |
|-----------------------------|-------------|
| Isolation Voltage: | 1,500Vrms |
| OCL @ 100KHz, 8mA: | 350µH min |
| CMR (0.1-100MHz): | -40dB typ |
| Crosstalk (0.1-100MHz): | -40dB min |
| Insertion Loss (0.1-100MHz) | -1.1dB max |
| Return Loss (0.5-30MHz): | -18dB min |
| (40MHz): | -15.5dB min |
| (50MHz): | -13.6dB min |
| (60-80MHz): | -12dB min |

Schematic A



Schematic B



Patented Construction

US Pat Nbrs:

| |
|--------------|
| 5,656,985 |
| 6,297,721 B1 |
| 6,297,720 B1 |
| 6,320,489 B1 |
| 6,344,785 B1 |



RoHS compliant versions are available.

Specify RoHS compliant product by adding the suffix "RL".

| Part Number | Turns Ratio ± 3% (1-3:16-14)/(6-8:11-9) | Circuit Schematic | PRI/SEC Cw/w (pF typ) | PRI LL (µH max) | PRI DCR (Ωmax) |
|--------------|--|----------------------|-----------------------------|-----------------------|----------------------|
| TG110-S050N2 | (1CT:1CT) / (1CT:1CT) | A | 15 | 0.4 | 1.5 |
| TG110-S055N2 | (1CT:1CT) / (1CT:1CT) | B | 15 | 0.4 | 1.5 |
| TG110-S120N2 | (2CT:1CT) / (1CT:1CT) | B | 15 | 1.2 | .9 |
| TG110-S125N2 | (1CT:1CT) / (2CT:1CT) | B | 15 | 1.2 | .9 |
| TG110-S131N2 | (√2CT:1CT) / (1CT:1CT) | B | 15 | 0.9 | .9 |
| TG110-S139N2 | (1.25CT:1CT) / (1CT:1CT) | B | 15 | 0.9 | .9 |
| TG110-S141N2 | (1CT:√2CT) / (1CT:1CT) | B | 15 | 0.4 | .9 |