

TPS6120xEVM-179

The TPS6120xEVM-179 is specially designed and optimized to operate from a single-cell, two-cell, or three-cell alkaline, NiCd or NiMH, as well as a one-cell Li-Ion or Li-polymer battery. It is also used in single-cell fuel cell or solar cell battery applications where the input voltage is as low as 0.3V.

The TPS6120xEVM-179 operates from a 0.3V to 5.5V (starts up $\geq 0.5V$) input rail and provides a single output voltage up to 5.5V.

The TPS6120xEVM-179 has three orderable EVMs shown in [Table 1](#).

Table 1. EVM Description

Build	EVM	Note
-001	TPS61200EVM-179	Evaluates the TPS61200. Adjustable output voltage version which default output voltage is 3.3V.
-002	TPS61201EVM-179	Evaluates the TPS61201. Fixed 3.3V_output voltage version
-003	TPS61202EVM-179	Evaluates the TPS61202. Fixed 5.0V_output voltage version

Contents

1	Introduction	2
2	Setup and Operation	2
3	Board Layout	5
4	Schematic and Bill of Materials	7

List of Figures

1	Maximum Output Current vs VBAT	4
2	Efficiency vs Output Current.....	4
3	Top Assembly Layer.....	5
4	Top Layer	6
5	Bottom Layer	6
6	TPS6120xEVM-179 Schematic	7

List of Tables

1	EVM Description	1
2	Specification Summary.....	2
3	Default Jumper Settings	2
4	Bill of Materials	8

1 Introduction

This chapter contains background information for the TPS6120xEVM-179 evaluation module.

1.1 Specifications

Table 2 provides a summary of the TPS6120xEVM-179 performance specifications. All specifications are given for an ambient temperature of 25°C.

Table 2. Specification Summary

Build	Specification	Voltage Range (V)			Current Range (A)		
		Min	Typ	Max	Min	Typ	Max
-001, -002, -003	VBAT	0.3		5.5			
-001, -002	VOUT	3.2	3.3	3.4			1.5
-003	VOUT	4.85	5	5.15			1.1

1.2 Modifications

This EVM facilitates user evaluation of the TPS61200/01/02. To facilitate user customization of the EVM, the board is designed with devices having 603 or larger footprints. Normal applications will likely occupy less total board space.

The TPS61200 provides adjustable output capability. The output is user adjustable using the feedback resistors (R4 and R5). The values for these resistors are chosen using the method described in the *Programming the Output Voltage* section of the data sheet ([SLVS577](#)). The output voltage of the TPS61201 and TPS61202 is factory programmed and cannot be changed.

2 Setup and Operation

This chapter explains the input, output, and jumper connections of the TPS6120xEVM-179. It also provides guidance on how to set up test equipment for evaluating the EVM and provides test results.

2.1 Connections and Jumpers

The DEFAULT jumper settings for the EVM are shown in Table 3.

Table 3. Default Jumper Settings

Jumper	Default Setting
JP1 – EN	GND
JP2 – PS	VBAT

J1 - VBAT: This is the positive connection to the input power supply.

J2 - GND: This is the ground connection for input power supply.

J3 – VOUT: This is the positive connection to the output voltage. VOUT regulates to 3.3V for the TPS61200 and TPS61201 EVMs, and VOUT regulates to 5V for the TPS61202 EVM.

J4 – GND: This is the ground connection for the output voltage.

JP1 - EN: This is the enable input for the device. Place a shunt across the VBAT and EN pins of JP1 to enable the IC. Place a shunt across the GND and EN pins of JP1 to disable the IC. A shunt must be installed on JP1 in either VBAT or GND positions and EN should not be left unconnected.

JP2 - PS: This jumper enables or disables the power save mode at light load. Place a shunt across the VBAT and PS pins of JP2 to disable power save mode. Place a shunt across the GND and PS pins of JP2 to enable power save mode. Note that while operating in down conversion mode ($V_{BAT} > V_{out}$), power save mode is always enabled and the device cannot be forced into fixed frequency operation. A shunt must be installed on JP2 in either VBAT or GND positions and PS should not be left unconnected.

2.2 Setup

The power supply should have at least 2A capability. Connect an input power supply between J1 and J2. Initially the voltage range on this supply to start up the converter should be between 0.5V and 5.5V due to the minimum start up voltage requirement. Following startup, the input can be as low as 0.3V. Connect the load between J3 and J4.

Before enabling this device by connecting the EN pin to VBAT at JP1, make sure the measured input voltage between J1 and J2 does not exceed 5.5V and JP2 (PS pin) is connected to the desired setting.

In order to avoid voltage drop through the input power supply line, use at least 20 gauge wire. The output voltages can be monitored by voltmeters and/or an oscilloscope with standard high impedance voltage probes.

2.3 Operation

Once the input voltage is connected and verified, connect the EN pin to VBAT at JP1. The converter starts up and regulates to the set output voltage. The range for the output regulation is shown in [Table 2](#).

After the converter starts up, the input voltage can go down to 0.3V. [Figure 1](#) and [Figure 2](#) show measured data from the EVM for maximum output current and efficiency at various input/output voltage combinations.

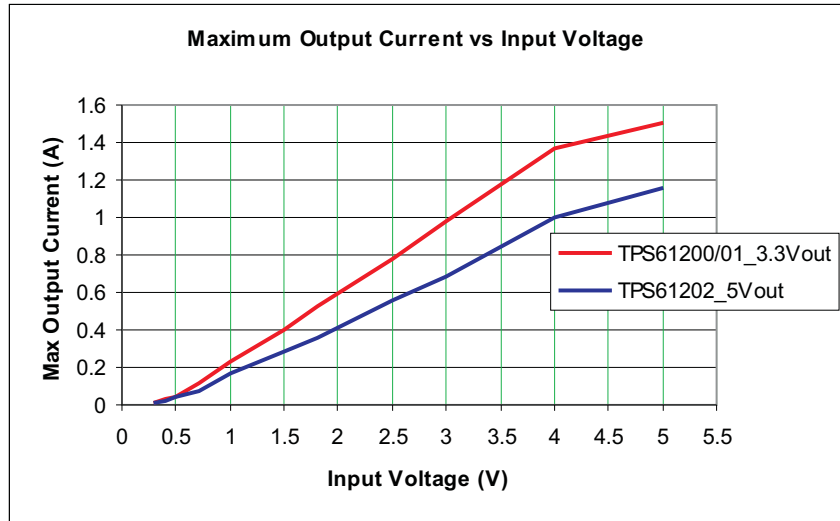


Figure 1. Maximum Output Current vs VBAT

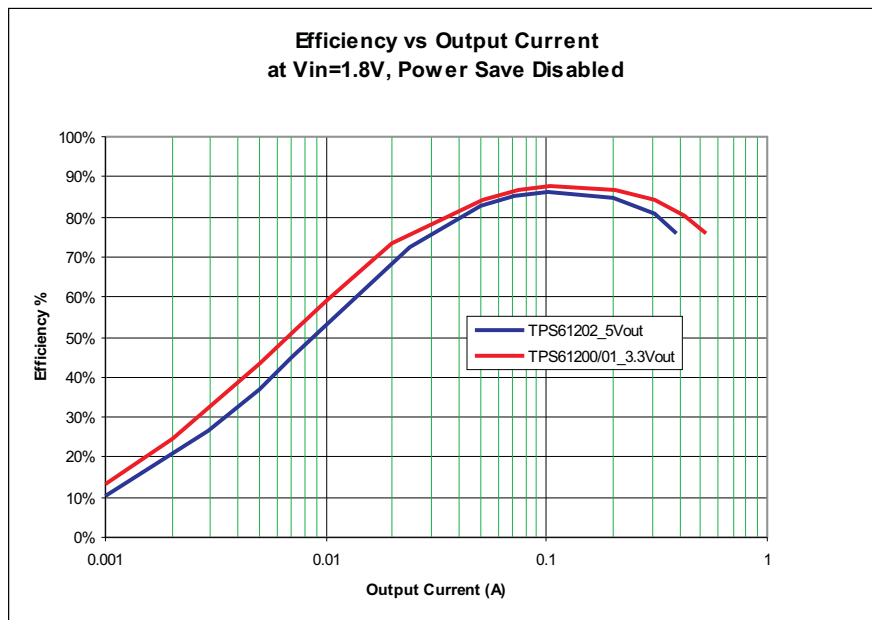


Figure 2. Efficiency vs Output Current

3 Board Layout

This chapter provides board layout recommendations as well as figures of the EVM board layers.

3.1 Board Layout Recommendations

As for all switching power supplies, the layout is an important step in the design, especially at high peak currents and high switching frequencies. If the layout is not carefully done, the regulator could show stability problems as well as EMI problems. Therefore, use wide and short traces for the main current path and for the power ground tracks. The input and output capacitor, as well as the inductor should be placed as close as possible to the IC. Use a common ground node for power ground and a different one for control ground to minimize the effects of ground noise. Connect these ground nodes at any place close to one of the ground pins of the IC.

The feedback divider should be placed as close as possible to the control ground pin of the IC. To layout the control ground, it is recommended to use short traces as well, separated from the power ground traces. This avoids ground shift problems, which can be due to superimposition of power ground current and control ground current.

3.2 Board Layers

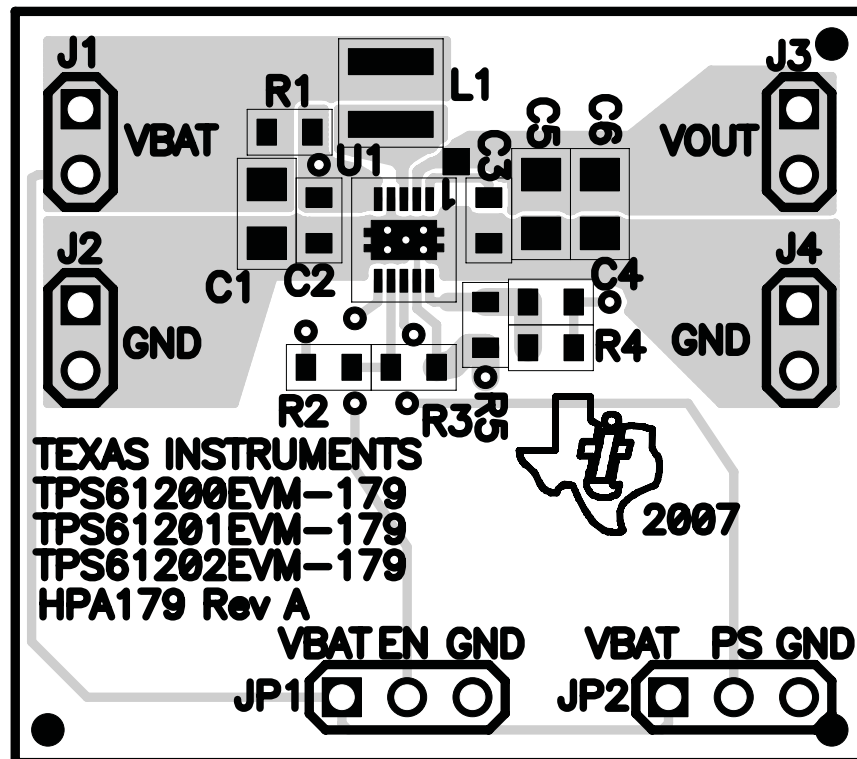


Figure 3. Top Assembly Layer

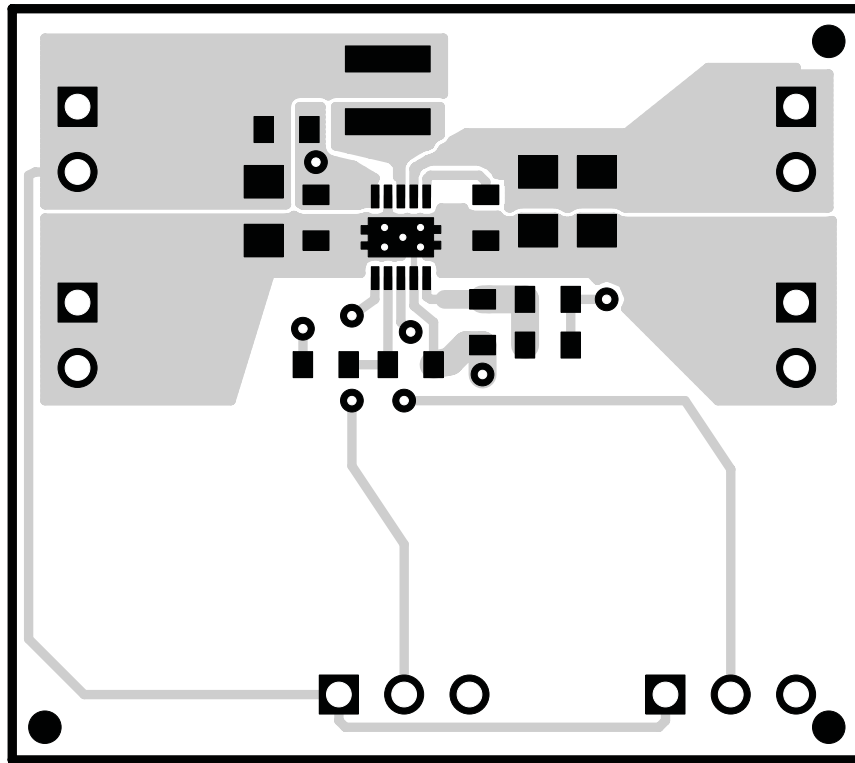


Figure 4. Top Layer

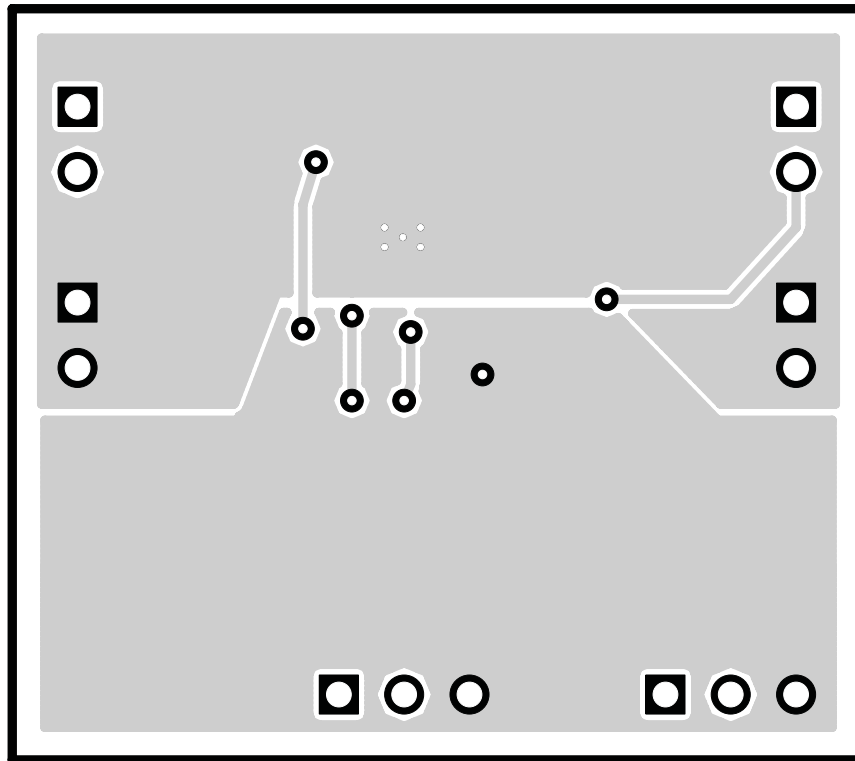


Figure 5. Bottom Layer

4 Schematic and Bill of Materials

4.1 Schematic

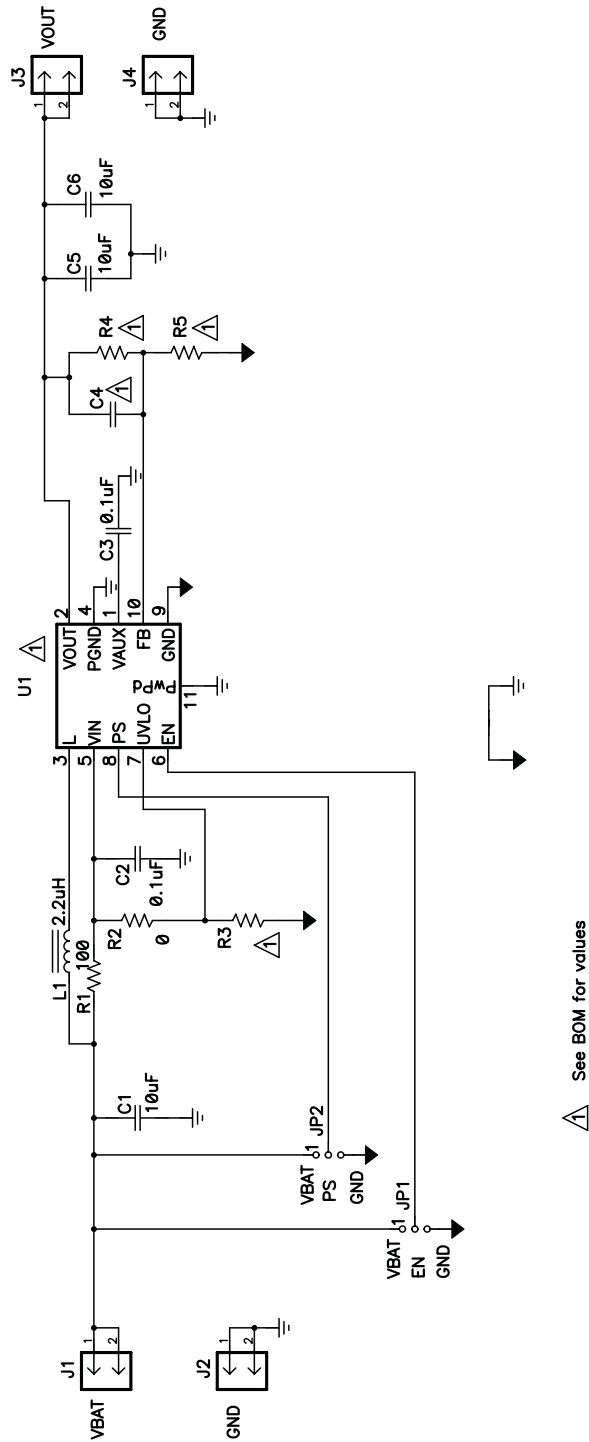


Figure 6. TPS6120xEVM-179 Schematic

4.2 Bill of Materials

Table 4. Bill of Materials

Count			RefDes	Value	Description	Size	Part Number	MFR
-001	-002	-003						
1	1	1	C1	10 μ F	Capacitor, Ceramic, 10V, X5R, 10%	0805	GRM21BR61A106KE19L	muRata
2	2	2	C2,C3	0.1 μ F	Capacitor, Ceramic, 16V, X7R, 10%	0603	C1608X7R1C104K	TDK
0	0	0	C4	Open	Capacitor, Ceramic	0603		
2	2	2	C5C6	10 μ F	Capacitor, Ceramic, 10V, X5R, 10%	0805	GRM21BR61A106KE19L	muRata
4	4	4	J1 – J4		Header, 2 pin, 100mil spacing, (36-pin strip)	0.100 X 2	PTC36SAAN	Sullins
2	2	2	JP1, JP2		Header, 3 pin, 100mil spacing, (36-pin strip)	0.100 X 3	PTC36SAAN	Sullins
1	1	1	L1	2.2 μ H	Inductor, SMT, 1.5A, 110milliohm	0.118 X 0.118	LPS3015-222ML	Coilcraft
1	1	1	R1	100 Ω	Resistor, Chip, 1/16W, 1%	0603	Std	Std
1	1	1	R2	0 Ω	Resistor, Chip, 1/16W, 5%	0603	Std	Std
0	0	0	R3	Open	Resistor, Chip, 1/16W	0603		
1	0	0	R4	1.00M Ω	Resistor, Chip, 1/16W, 1%	0603	Std	Std
0	1	1		0 Ω	Resistor, Chip, 1/16W, 1%	0603	Std	Std
1	0	0	R5	178k Ω	Resistor, Chip, 1/16W, 1%	0603	Std	Std
1	0	0	U1		IC, Very Low Input Voltage Sync. Boost Converter w/1.5A Switches, Adj V	SON-10	TPS61200DRC	TI
0	1	0			IC, Very Low Input Voltage Sync. Boost Converter w/1.5A Switches, 3.3V	SON-10	TPS61201DRC	TI
0	0	1			IC, Very Low Input Voltage Sync. Boost Converter w/1.5A Switches, 5V	SON-10	TPS61202DRC	TI
1	1	1	–		PCB, 1.3 In x 1.15 In x 0.062 In		HPA179	Any
2	2	2	–		Shunt, 100 mil, Black	0.100	929950-00	3M

EVALUATION BOARD/KIT IMPORTANT NOTICE

Texas Instruments (TI) provides the enclosed product(s) under the following conditions:

This evaluation board/kit is intended for use for **ENGINEERING DEVELOPMENT, DEMONSTRATION, OR EVALUATION PURPOSES ONLY** and is not considered by TI to be a finished end-product fit for general consumer use. Persons handling the product(s) must have electronics training and observe good engineering practice standards. As such, the goods being provided are not intended to be complete in terms of required design-, marketing-, and/or manufacturing-related protective considerations, including product safety and environmental measures typically found in end products that incorporate such semiconductor components or circuit boards. This evaluation board/kit does not fall within the scope of the European Union directives regarding electromagnetic compatibility, restricted substances (RoHS), recycling (WEEE), FCC, CE or UL, and therefore may not meet the technical requirements of these directives or other related directives.

Should this evaluation board/kit not meet the specifications indicated in the User's Guide, the board/kit may be returned within 30 days from the date of delivery for a full refund. **THE FOREGOING WARRANTY IS THE EXCLUSIVE WARRANTY MADE BY SELLER TO BUYER AND IS IN LIEU OF ALL OTHER WARRANTIES, EXPRESSED, IMPLIED, OR STATUTORY, INCLUDING ANY WARRANTY OF MERCHANTABILITY OR FITNESS FOR ANY PARTICULAR PURPOSE.**

The user assumes all responsibility and liability for proper and safe handling of the goods. Further, the user indemnifies TI from all claims arising from the handling or use of the goods. Due to the open construction of the product, it is the user's responsibility to take any and all appropriate precautions with regard to electrostatic discharge.

EXCEPT TO THE EXTENT OF THE INDEMNITY SET FORTH ABOVE, NEITHER PARTY SHALL BE LIABLE TO THE OTHER FOR ANY INDIRECT, SPECIAL, INCIDENTAL, OR CONSEQUENTIAL DAMAGES.

TI currently deals with a variety of customers for products, and therefore our arrangement with the user **is not exclusive.**

TI assumes **no liability for applications assistance, customer product design, software performance, or infringement of patents or services described herein.**

Please read the User's Guide and, specifically, the Warnings and Restrictions notice in the User's Guide prior to handling the product. This notice contains important safety information about temperatures and voltages. For additional information on TI's environmental and/or safety programs, please contact the TI application engineer or visit www.ti.com/esh.

No license is granted under any patent right or other intellectual property right of TI covering or relating to any machine, process, or combination in which such TI products or services might be or are used.

FCC Warning

This evaluation board/kit is intended for use for **ENGINEERING DEVELOPMENT, DEMONSTRATION, OR EVALUATION PURPOSES ONLY** and is not considered by TI to be a finished end-product fit for general consumer use. It generates, uses, and can radiate radio frequency energy and has not been tested for compliance with the limits of computing devices pursuant to part 15 of FCC rules, which are designed to provide reasonable protection against radio frequency interference. Operation of this equipment in other environments may cause interference with radio communications, in which case the user at his own expense will be required to take whatever measures may be required to correct this interference.

EVM WARNINGS AND RESTRICTIONS

It is important to operate this EVM within the input voltage range of 0.3V to 5.5V and the output voltage range of 1.8V to 5.5V.

Exceeding the specified input range may cause unexpected operation and/or irreversible damage to the EVM. If there are questions concerning the input range, please contact a TI field representative prior to connecting the input power.

Applying loads outside of the specified output range may result in unintended operation and/or possible permanent damage to the EVM. Please consult the EVM User's Guide prior to connecting any load to the EVM output. If there is uncertainty as to the load specification, please contact a TI field representative.

During normal operation, some circuit components may have case temperatures greater than 85°C. The EVM is designed to operate properly with certain components above 85°C as long as the input and output ranges are maintained. These components include but are not limited to linear regulators, switching transistors, pass transistors, and current sense resistors. These types of devices can be identified using the EVM schematic located in the EVM User's Guide. When placing measurement probes near these devices during operation, please be aware that these devices may be very warm to the touch.

Mailing Address: Texas Instruments, Post Office Box 655303, Dallas, Texas 75265
Copyright © 2007, Texas Instruments Incorporated

IMPORTANT NOTICE

Texas Instruments Incorporated and its subsidiaries (TI) reserve the right to make corrections, modifications, enhancements, improvements, and other changes to its products and services at any time and to discontinue any product or service without notice. Customers should obtain the latest relevant information before placing orders and should verify that such information is current and complete. All products are sold subject to TI's terms and conditions of sale supplied at the time of order acknowledgment.

TI warrants performance of its hardware products to the specifications applicable at the time of sale in accordance with TI's standard warranty. Testing and other quality control techniques are used to the extent TI deems necessary to support this warranty. Except where mandated by government requirements, testing of all parameters of each product is not necessarily performed.

TI assumes no liability for applications assistance or customer product design. Customers are responsible for their products and applications using TI components. To minimize the risks associated with customer products and applications, customers should provide adequate design and operating safeguards.

TI does not warrant or represent that any license, either express or implied, is granted under any TI patent right, copyright, mask work right, or other TI intellectual property right relating to any combination, machine, or process in which TI products or services are used. Information published by TI regarding third-party products or services does not constitute a license from TI to use such products or services or a warranty or endorsement thereof. Use of such information may require a license from a third party under the patents or other intellectual property of the third party, or a license from TI under the patents or other intellectual property of TI.

Reproduction of information in TI data books or data sheets is permissible only if reproduction is without alteration and is accompanied by all associated warranties, conditions, limitations, and notices. Reproduction of this information with alteration is an unfair and deceptive business practice. TI is not responsible or liable for such altered documentation.

Resale of TI products or services with statements different from or beyond the parameters stated by TI for that product or service voids all express and any implied warranties for the associated TI product or service and is an unfair and deceptive business practice. TI is not responsible or liable for any such statements.

TI products are not authorized for use in safety-critical applications (such as life support) where a failure of the TI product would reasonably be expected to cause severe personal injury or death, unless officers of the parties have executed an agreement specifically governing such use. Buyers represent that they have all necessary expertise in the safety and regulatory ramifications of their applications, and acknowledge and agree that they are solely responsible for all legal, regulatory and safety-related requirements concerning their products and any use of TI products in such safety-critical applications, notwithstanding any applications-related information or support that may be provided by TI. Further, Buyers must fully indemnify TI and its representatives against any damages arising out of the use of TI products in such safety-critical applications.

TI products are neither designed nor intended for use in military/aerospace applications or environments unless the TI products are specifically designated by TI as military-grade or "enhanced plastic." Only products designated by TI as military-grade meet military specifications. Buyers acknowledge and agree that any such use of TI products which TI has not designated as military-grade is solely at the Buyer's risk, and that they are solely responsible for compliance with all legal and regulatory requirements in connection with such use.

TI products are neither designed nor intended for use in automotive applications or environments unless the specific TI products are designated by TI as compliant with ISO/TS 16949 requirements. Buyers acknowledge and agree that, if they use any non-designated products in automotive applications, TI will not be responsible for any failure to meet such requirements.

Following are URLs where you can obtain information on other Texas Instruments products and application solutions:

Products		Applications	
Amplifiers	amplifier.ti.com	Audio	www.ti.com/audio
Data Converters	dataconverter.ti.com	Automotive	www.ti.com/automotive
DSP	dsp.ti.com	Broadband	www.ti.com/broadband
Interface	interface.ti.com	Digital Control	www.ti.com/digitalcontrol
Logic	logic.ti.com	Military	www.ti.com/military
Power Mgmt	power.ti.com	Optical Networking	www.ti.com/opticalnetwork
Microcontrollers	microcontroller.ti.com	Security	www.ti.com/security
RFID	www.ti-rfid.com	Telephony	www.ti.com/telephony
Low Power Wireless	www.ti.com/lpw	Video & Imaging	www.ti.com/video
		Wireless	www.ti.com/wireless

Mailing Address: Texas Instruments, Post Office Box 655303, Dallas, Texas 75265
Copyright © 2007, Texas Instruments Incorporated