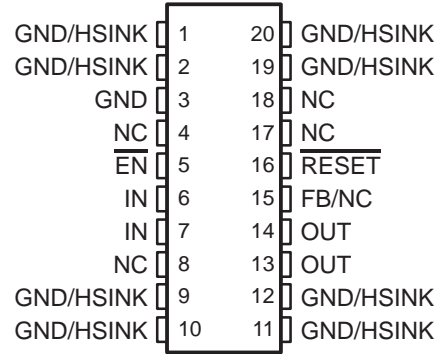


- 1 A Low-Dropout Voltage Regulator
- Available in 1.5-V, 1.8-V, 2.5-V, 2.7-V, 2.8-V, 3.0-V, 3.3-V, 5.0-V Fixed Output and Adjustable Versions
- Dropout Voltage Down to 230 mV at 1 A (TPS76750)
- Ultralow 85  $\mu$ A Typical Quiescent Current
- Fast Transient Response
- 2% Tolerance Over Specified Conditions for Fixed-Output Versions
- Open Drain Power-On Reset With 200-ms Delay (See TPS768xx for PG Option)
- 8-Pin SOIC and 20-Pin TSSOP PowerPAD™ (PWP) Package
- Thermal Shutdown Protection

### description

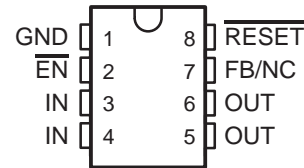
This device is designed to have a fast transient response and be stable with 10  $\mu$ F low ESR capacitors. This combination provides high performance at a reasonable cost.

PWP PACKAGE  
(TOP VIEW)

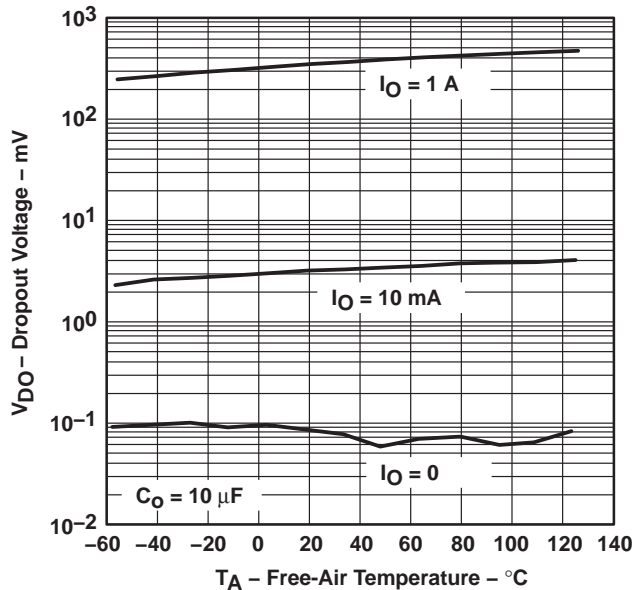


NC – No internal connection

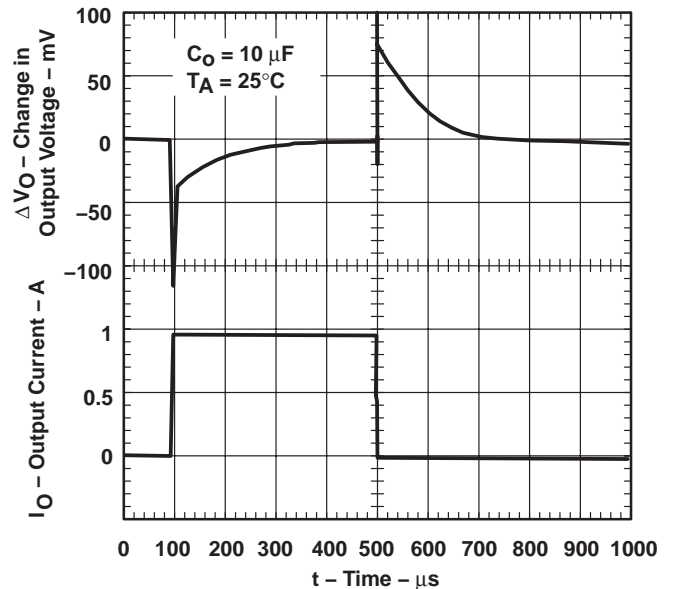
D PACKAGE  
(TOP VIEW)



TPS76733  
DROPOUT VOLTAGE  
vs  
FREE-AIR TEMPERATURE



TPS76733  
LOAD TRANSIENT RESPONSE



Please be aware that an important notice concerning availability, standard warranty, and use in critical applications of Texas Instruments semiconductor products and disclaimers thereto appears at the end of this data sheet.

All trademarks are the property of their respective owners.

**TPS76715Q, TPS76718Q, TPS76725Q, TPS76727Q  
 TPS76728Q, TPS76730Q, TPS76733Q, TPS76750Q, TPS76701Q  
 FAST-TRANSIENT-RESPONSE 1-A LOW-DROPOUT LINEAR REGULATORS**

SLVS208I – MAY 1999 – REVISED JANUARY 2004

**description (continued)**

Because the PMOS device behaves as a low-value resistor, the dropout voltage is very low (typically 230 mV at an output current of 1 A for the TPS76750) and is directly proportional to the output current. Additionally, since the PMOS pass element is a voltage-driven device, the quiescent current is very low and independent of output loading (typically 85  $\mu$ A over the full range of output current, 0 mA to 1 A). These two key specifications yield a significant improvement in operating life for battery-powered systems. This LDO family also features a sleep mode; applying a TTL high signal to  $\overline{\text{EN}}$  (enable) shuts down the regulator, reducing the quiescent current to 1  $\mu$ A at  $T_J = 25^\circ\text{C}$ .

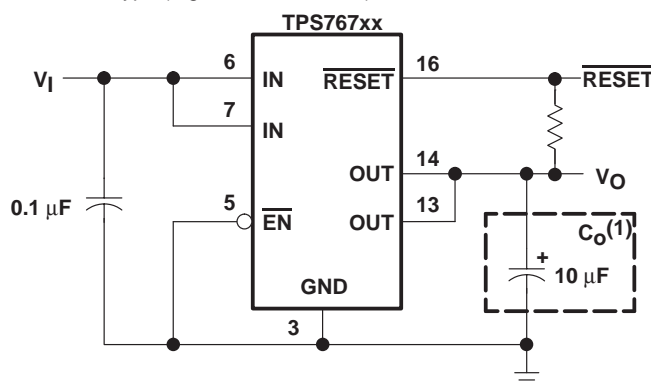
The  $\overline{\text{RESET}}$  output of the TPS767xx initiates a reset in microcomputer and microprocessor systems in the event of an undervoltage condition. An internal comparator in the TPS767xx monitors the output voltage of the regulator to detect an undervoltage condition on the regulated output voltage.

The TPS767xx is offered in 1.5-V, 1.8-V, 2.5-V, 2.7-V, 2.8-V, 3.0-V, 3.3-V, and 5.0-V fixed-voltage versions and in an adjustable version (programmable over the range of 1.5 V to 5.5 V). Output voltage tolerance is specified as a maximum of 2% over line, load, and temperature ranges. The TPS767xx family is available in 8-pin SOIC and 20-pin PWP packages.

**AVAILABLE OPTIONS**

| $T_J$          | OUTPUT VOLTAGE (V)           | PACKAGED DEVICES |           |
|----------------|------------------------------|------------------|-----------|
|                | TYP                          | TSSOP (PWP)      | SOIC (D)  |
| -40°C to 125°C | 5.0                          | TPS76750Q        | TPS76750Q |
|                | 3.3                          | TPS76733Q        | TPS76733Q |
|                | 3.0                          | TPS76730Q        | TPS76730Q |
|                | 2.8                          | TPS76728Q        | TPS76728Q |
|                | 2.7                          | TPS76727Q        | TPS76727Q |
|                | 2.5                          | TPS76725Q        | TPS76725Q |
|                | 1.8                          | TPS76718Q        | TPS76718Q |
|                | 1.5                          | TPS76715Q        | TPS76715Q |
|                | Adjustable<br>1.5 V to 5.5 V | TPS76701Q        | TPS76701Q |

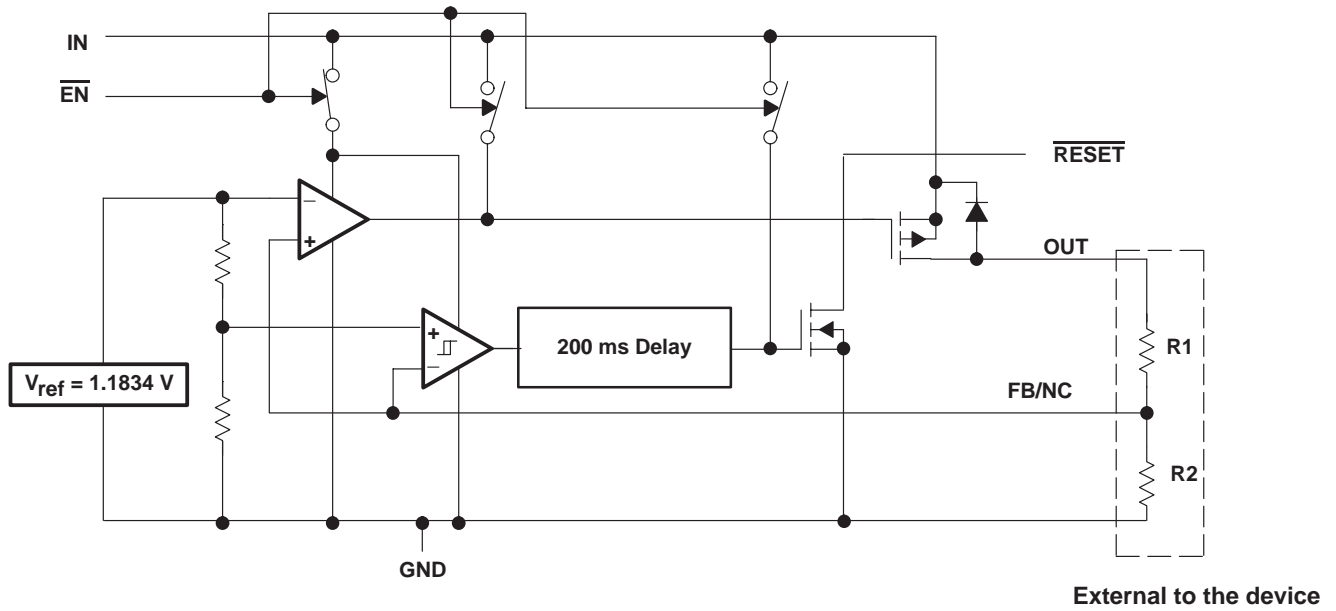
The TPS76701 is programmable using an external resistor divider (see application information). The D and PWP packages are available taped and reeled. Add an R suffix to the device type (e.g., TPS76701QDR).



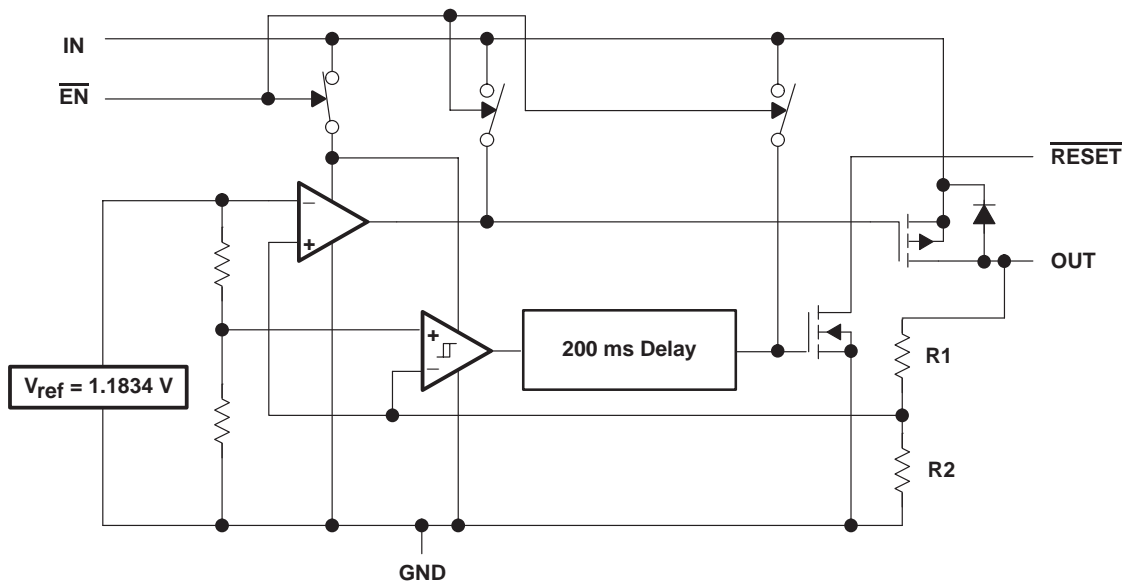
(1) See application information section for capacitor selection details.

**Figure 1. Typical Application Configuration (For Fixed Output Options)**

**functional block diagram—adjustable version**



**functional block diagram—fixed-voltage version**



### Terminal Functions

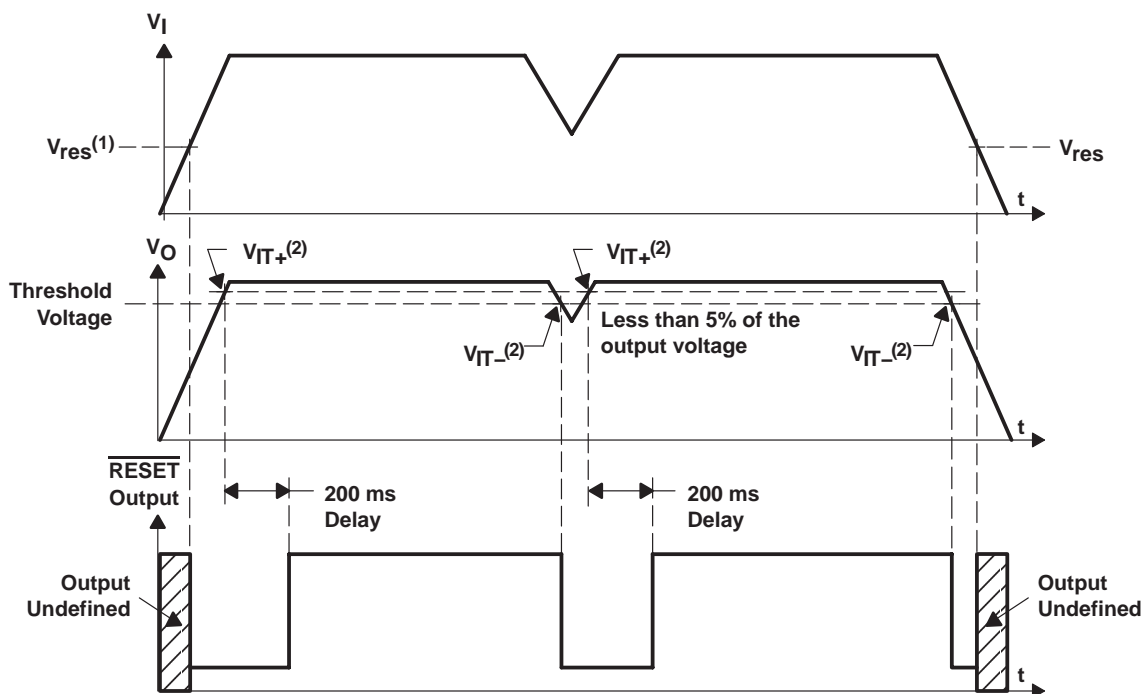
#### SOIC Package

| TERMINAL NAME             | NO.  | I/O | DESCRIPTION   |
|---------------------------|------|-----|---|
| $\overline{\text{EN}}$    | 2    | I   | Enable input  |
| FB/NC                     | 7    | I   | Feedback input voltage for adjustable device (no connect for fixed options) |
| GND                       | 1    |     | Regulator ground  |
| IN                        | 3, 4 | I   | Input voltage   |
| OUT                       | 5, 6 | O   | Regulated output voltage  |
| $\overline{\text{RESET}}$ | 8    | O   | $\overline{\text{RESET}}$ output  |

#### PWP Package

| TERMINAL NAME             | NO.                         | I/O | DESCRIPTION   |
|---------------------------|-----------------------------|-----|---|
| $\overline{\text{EN}}$    | 5                           | I   | Enable input  |
| FB/NC                     | 15                          | I   | Feedback input voltage for adjustable device (no connect for fixed options) |
| GND                       | 3                           |     | Regulator ground  |
| GND/HSINK                 | 1, 2, 9, 10, 11, 12, 19, 20 |     | Ground/heatsink   |
| IN                        | 6, 7                        | I   | Input voltage   |
| NC                        | 4, 8, 17, 18                |     | No connect  |
| OUT                       | 13, 14                      | O   | Regulated output voltage  |
| $\overline{\text{RESET}}$ | 16                          | O   | $\overline{\text{RESET}}$ output  |

#### timing diagram



(1)  $V_{\text{res}}$  is the minimum input voltage for a valid  $\overline{\text{RESET}}$ . The symbol  $V_{\text{res}}$  is not currently listed within EIA or JEDEC standards for semiconductor symbology.

(2)  $V_{\text{IT-}}$  - Trip voltage is typically 5% lower than the output voltage ( $95\%V_O$ )  $V_{\text{IT-}}$  to  $V_{\text{IT+}}$  is the hysteresis voltage.

**absolute maximum ratings over operating free-air temperature range (unless otherwise noted)<sup>(1)</sup>**

|   |                               |
|---|-------------------------------|
| Input voltage range <sup>(2)</sup> , $V_I$ .....  | -0.3 V to 13.5 V              |
| Voltage range at $\overline{EN}$ .....            | -0.3 V to $V_I + 0.3$ V       |
| Maximum $\overline{RESET}$ voltage .....          | 16.5 V                        |
| Peak output current .....                         | Internally limited            |
| Output voltage, $V_O$ (OUT, FB) .....             | 7 V                           |
| Continuous total power dissipation .....          | See dissipation rating tables |
| Operating junction temperature range, $T_J$ ..... | -40°C to 125°C                |
| Storage temperature range, $T_{stg}$ .....        | -65°C to 150°C                |
| ESD rating, HBM .....                             | 2 kV                          |

(1) Stresses beyond those listed under “absolute maximum ratings” may cause permanent damage to the device. These are stress ratings only, and functional operation of the device at these or any other conditions beyond those indicated under “recommended operating conditions” is not implied. Exposure to absolute-maximum-rated conditions for extended periods may affect device reliability.

(2) All voltage values are with respect to network terminal ground.

**DISSIPATION RATING TABLE 1 – FREE-AIR TEMPERATURES**

| PACKAGE | AIR FLOW (CFM) | $T_A < 25^\circ\text{C}$<br>POWER RATING | DERATING FACTOR<br>ABOVE $T_A = 25^\circ\text{C}$ | $T_A = 70^\circ\text{C}$<br>POWER RATING | $T_A = 85^\circ\text{C}$<br>POWER RATING |
|---------|----------------|--|---|--|--|
| D       | 0              | 568 mW                                   | 5.68 mW/°C  | 312 mW                                   | 227 mW                                   |
|         | 250            | 904 mW                                   | 9.04 mW/°C  | 497 mW                                   | 361 mW                                   |

**DISSIPATION RATING TABLE 2 – FREE-AIR TEMPERATURES**

| PACKAGE | AIR FLOW (CFM) | $T_A < 25^\circ\text{C}$<br>POWER RATING | DERATING FACTOR<br>ABOVE $T_A = 25^\circ\text{C}$ | $T_A = 70^\circ\text{C}$<br>POWER RATING | $T_A = 85^\circ\text{C}$<br>POWER RATING |
|---------|----------------|--|---|--|--|
| PWP§    | 0              | 2.9 W                                    | 23.5 mW/°C  | 1.9 W                                    | 1.5 W                                    |
|         | 300            | 4.3 W                                    | 34.6 mW/°C  | 2.8 W                                    | 2.2 W                                    |
| PWP¶    | 0              | 3 W                                      | 23.8 mW/°C  | 1.9 W                                    | 1.5 W                                    |
|         | 300            | 7.2 W                                    | 57.9 mW/°C  | 4.6 W                                    | 3.8 W                                    |

(1) This parameter is measured with the recommended copper heat sink pattern on a 1-layer PCB, 5 in × 5 in PCB, 1 oz. copper, 2 in × 2 in coverage (4 in<sup>2</sup>).

(2) This parameter is measured with the recommended copper heat sink pattern on a 8-layer PCB, 1.5 in × 2 in PCB, 1 oz. copper with layers 1, 2, 4, 5, 7, and 8 at 5% coverage (0.9 in<sup>2</sup>) and layers 3 and 6 at 100% coverage (6 in<sup>2</sup>). For more information, refer to TI technical brief SLMA002.

**recommended operating conditions**

|  | MIN | MAX | UNIT |
|--|-----|-----|------|
| Input voltage, $V_I$ <sup>(1)</sup>                  | 2.7 | 10  | V    |
| Output voltage range, $V_O$                          | 1.2 | 5.5 | V    |
| Output current, $I_O$ <sup>(2)</sup>                 | 0   | 1.0 | A    |
| Operating junction temperature, $T_J$ <sup>(2)</sup> | -40 | 125 | °C   |

(1) Maximum  $V_{IN} = V_{OUT} + V_{DO}$  or 2.7V, whichever is greater.

(2) Continuous current and operating junction temperature are limited by internal protection circuitry, but it is not recommended that the device operate under conditions beyond those specified in this table for extended periods of time.

**TPS76715Q, TPS76718Q, TPS76725Q, TPS76727Q  
 TPS76728Q, TPS76730Q, TPS76733Q, TPS76750Q, TPS76701Q  
 FAST-TRANSIENT-RESPONSE 1-A LOW-DROPOUT LINEAR REGULATORS**



SLVS2081 – MAY 1999 – REVISED JANUARY 2004

**electrical characteristics over recommended operating free-air temperature range,  
 $V_I = V_O(\text{typ}) + 1 \text{ V}$ ,  $I_O = 1 \text{ mA}$ ,  $\overline{\text{EN}} = 0 \text{ V}$ ,  $C_O = 10 \mu\text{F}$  (unless otherwise noted)**

| PARAMETER   |  | TEST CONDITIONS   | MIN       | TYP   | MAX       | UNIT                       |
|---|--|---|-----------|-------|-----------|----------------------------|
| Output voltage (10 $\mu\text{A}$ to 1 A load)                           | TPS76701   | $1.5 \text{ V} \leq V_O \leq 5.5 \text{ V}$ , $T_J = 25^\circ\text{C}$  | $V_O$     |       |           | V                          |
|   |  | $1.5 \text{ V} \leq V_O \leq 5.5 \text{ V}$ , $T_J = -40^\circ\text{C}$ to $125^\circ\text{C}$                            | $0.98V_O$ |       | $1.02V_O$ |                            |
|   | TPS76715   | $T_J = 25^\circ\text{C}$ , $2.7 \text{ V} < V_{IN} < 10 \text{ V}$  | 1.5       |       |           |                            |
|   |  | $T_J = -40^\circ\text{C}$ to $125^\circ\text{C}$ , $2.7 \text{ V} < V_{IN} < 10 \text{ V}$                                | 1.470     |       | 1.530     |                            |
|   | TPS76718   | $T_J = 25^\circ\text{C}$ , $2.8 \text{ V} < V_{IN} < 10 \text{ V}$  | 1.8       |       |           |                            |
|   |  | $T_J = -40^\circ\text{C}$ to $125^\circ\text{C}$ , $2.8 \text{ V} < V_{IN} < 10 \text{ V}$                                | 1.764     |       | 1.836     |                            |
|   | TPS76725   | $T_J = 25^\circ\text{C}$ , $3.5 \text{ V} < V_{IN} < 10 \text{ V}$  | 2.5       |       |           |                            |
|   |  | $T_J = -40^\circ\text{C}$ to $125^\circ\text{C}$ , $3.5 \text{ V} < V_{IN} < 10 \text{ V}$                                | 2.450     |       | 2.550     |                            |
|   | TPS76727   | $T_J = 25^\circ\text{C}$ , $3.7 \text{ V} < V_{IN} < 10 \text{ V}$  | 2.7       |       |           |                            |
|   |  | $T_J = -40^\circ\text{C}$ to $125^\circ\text{C}$ , $3.7 \text{ V} < V_{IN} < 10 \text{ V}$                                | 2.646     |       | 2.754     |                            |
|   | TPS76728   | $T_J = 25^\circ\text{C}$ , $3.8 \text{ V} < V_{IN} < 10 \text{ V}$  | 2.8       |       |           |                            |
|   |  | $T_J = -40^\circ\text{C}$ to $125^\circ\text{C}$ , $3.8 \text{ V} < V_{IN} < 10 \text{ V}$                                | 2.744     |       | 2.856     |                            |
|   | TPS76730   | $T_J = 25^\circ\text{C}$ , $4.0 \text{ V} < V_{IN} < 10 \text{ V}$  | 3.0       |       |           |                            |
|   |  | $T_J = -40^\circ\text{C}$ to $125^\circ\text{C}$ , $4.0 \text{ V} < V_{IN} < 10 \text{ V}$                                | 2.940     |       | 3.060     |                            |
|   | TPS76733   | $T_J = 25^\circ\text{C}$ , $4.3 \text{ V} < V_{IN} < 10 \text{ V}$  | 3.3       |       |           |                            |
|   |  | $T_J = -40^\circ\text{C}$ to $125^\circ\text{C}$ , $4.3 \text{ V} < V_{IN} < 10 \text{ V}$                                | 3.234     |       | 3.366     |                            |
| TPS76750  | $T_J = 25^\circ\text{C}$ , $6.0 \text{ V} < V_{IN} < 10 \text{ V}$                         | 5.0   |           |       |           |                            |
|   | $T_J = -40^\circ\text{C}$ to $125^\circ\text{C}$ , $6.0 \text{ V} < V_{IN} < 10 \text{ V}$ | 4.900   |           | 5.100 |           |                            |
| Quiescent current (GND current)<br>$\overline{\text{EN}} = 0 \text{ V}$ |  | $10 \mu\text{A} < I_O < 1 \text{ A}$ , $T_J = 25^\circ\text{C}$   | 85        |       |           | $\mu\text{A}$              |
|   |  | $I_O = 1 \text{ A}$ , $T_J = -40^\circ\text{C}$ to $125^\circ\text{C}$  | 125       |       |           |                            |
| Output voltage line regulation ( $\Delta V_O/V_O$ )                     |  | $V_O + 1 \text{ V} < V_I \leq 10 \text{ V}$ , $T_J = 25^\circ\text{C}$  | 0.01      |       |           | %/V                        |
| Load regulation   |  |   | 3         |       |           | mV                         |
| Output noise voltage (TPS76718)   |  | BW = 200 Hz to 100 kHz, $I_C = 1 \text{ A}$ ,<br>$C_O = 10 \mu\text{F}$ , $T_J = 25^\circ\text{C}$                        | 55        |       |           | $\mu\text{V}_{\text{rms}}$ |
| Output current limit  |  | $V_O = 0 \text{ V}$   | 1.2       | 1.7   | 2         | A                          |
| Thermal shutdown junction temperature                                   |  |   | 150       |       |           | $^\circ\text{C}$           |
| Standby current   |  | $\overline{\text{EN}} = V_I$ , $T_J = 25^\circ\text{C}$ ,<br>$2.7 \text{ V} < V_I < 10 \text{ V}$                         | 1         |       |           | $\mu\text{A}$              |
|   |  | $\overline{\text{EN}} = V_I$ , $T_J = -40^\circ\text{C}$ to $125^\circ\text{C}$ ,<br>$2.7 \text{ V} < V_I < 10 \text{ V}$ | 10        |       |           | $\mu\text{A}$              |
| FB input current  | TPS76701   | FB = 1.5 V  | 2         |       |           | nA                         |
| High level enable input voltage   |  |   | 1.7       |       |           | V                          |
| Low level enable input voltage  |  |   | 0.9       |       |           | V                          |
| Power supply ripple rejection   |  | f = 1 KHz, $C_O = 10 \mu\text{F}$ ,<br>$T_J = 25^\circ\text{C}$   | 60        |       |           | dB                         |

electrical characteristics over recommended operating free-air temperature range,  
 $V_I = V_O(\text{typ}) + 1 \text{ V}$ ,  $I_O = 1 \text{ mA}$ ,  $\overline{\text{EN}} = 0 \text{ V}$ ,  $C_O = 10 \mu\text{F}$  (unless otherwise noted) (continued)

| PARAMETER                                |   | TEST CONDITIONS  | MIN | TYP  | MAX | UNIT          |
|--|---|--|-----|------|-----|---------------|
| Reset                                    | Minimum input voltage for valid $\overline{\text{RESET}}$ | $I_O(\text{RESET}) = 300 \mu\text{A}$                                  |     | 1.1  |     | V             |
|  | Trip threshold voltage                                    | $V_O$ decreasing   | 92  |      | 98  | % $V_O$       |
|  | Hysteresis voltage  | Measured at $V_O$  |     | 0.5  |     | % $V_O$       |
|  | Output low voltage  | $V_I = 2.7 \text{ V}$ , $I_O(\text{RESET}) = 1 \text{ mA}$             |     | 0.15 | 0.4 | V             |
|  | Leakage current   | $V(\text{RESET}) = 5 \text{ V}$  |     |      | 1   | $\mu\text{A}$ |
|  | RESET time-out delay                                      |  |     | 200  |     | ms            |
| Input current ( $\overline{\text{EN}}$ ) |   | $\overline{\text{EN}} = 0 \text{ V}$                                   | -1  | 0    | 1   | $\mu\text{A}$ |
|  |   | $\overline{\text{EN}} = V_I$   | -1  |      | 1   |               |
| Dropout voltage (1)                      | TPS76728  | $I_O = 1 \text{ A}$ , $T_J = 25^\circ\text{C}$                         |     | 500  |     | mV            |
|  |   | $I_O = 1 \text{ A}$ , $T_J = -40^\circ\text{C}$ to $125^\circ\text{C}$ |     |      | 825 |               |
|  | TPS76730  | $I_O = 1 \text{ A}$ , $T_J = 25^\circ\text{C}$                         |     | 450  |     |               |
|  |   | $I_O = 1 \text{ A}$ , $T_J = -40^\circ\text{C}$ to $125^\circ\text{C}$ |     |      | 675 |               |
|  | TPS76733  | $I_O = 1 \text{ A}$ , $T_J = 25^\circ\text{C}$                         |     | 350  |     |               |
|  |   | $I_O = 1 \text{ A}$ , $T_J = -40^\circ\text{C}$ to $125^\circ\text{C}$ |     |      | 575 |               |
|  | TPS76750  | $I_O = 1 \text{ A}$ , $T_J = 25^\circ\text{C}$                         |     | 230  |     |               |
|  |   | $I_O = 1 \text{ A}$ , $T_J = -40^\circ\text{C}$ to $125^\circ\text{C}$ |     |      | 380 |               |

(1)  $V_I$  voltage equals  $V_O(\text{typ}) - 100 \text{ mV}$ ; TPS76701 output voltage set to 3.3 V nominal with external resistor divider. TPS76715, TPS76718, TPS76725, and TPS76727 dropout voltage limited by input voltage range limitations (i.e., TPS76730 input voltage needs to drop to 2.9 V for purpose of this test).

## TYPICAL CHARACTERISTICS

### Table of Graphs

|          |                                    |                         | FIGURE           |
|----------|------------------------------------|-------------------------|------------------|
| $V_O$    | Output voltage                     | vs Output current       | 2, 3, 4          |
|          |                                    | vs Free-air temperature | 5, 6, 7          |
|          | Ground current                     | vs Free-air temperature | 8, 9             |
|          | Power supply ripple rejection      | vs Frequency            | 10               |
|          | Output spectral noise density      | vs Frequency            | 11               |
|          | Input voltage (min)                | vs Output voltage       | 12               |
| $Z_O$    | Output impedance                   | vs Frequency            | 13               |
| $V_{DO}$ | Dropout voltage                    | vs Free-air temperature | 14               |
|          | Line transient response            |                         | 15, 17           |
|          | Load transient response            |                         | 16, 18           |
| $V_O$    | Output voltage                     | vs Time                 | 19               |
|          |                                    | Dropout voltage         | vs Input voltage |
|          | Equivalent series resistance (ESR) | vs Output current       | 22 – 25          |

TYPICAL CHARACTERISTICS

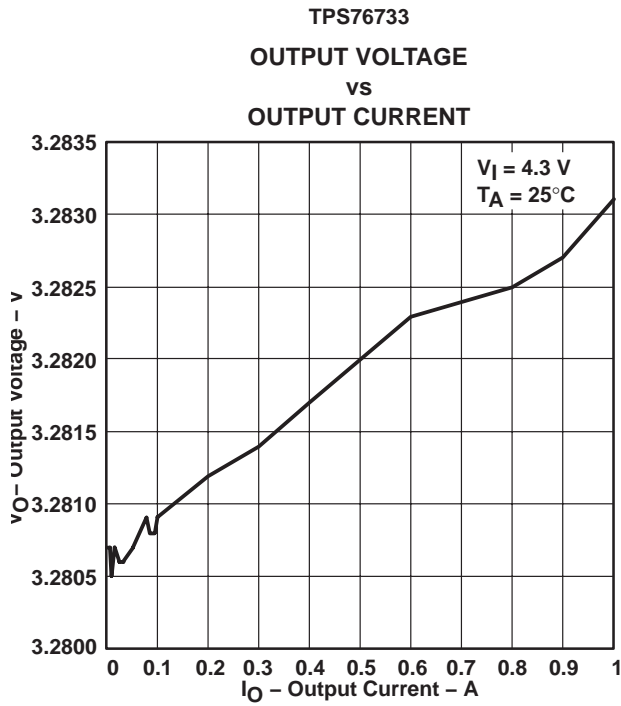


Figure 2

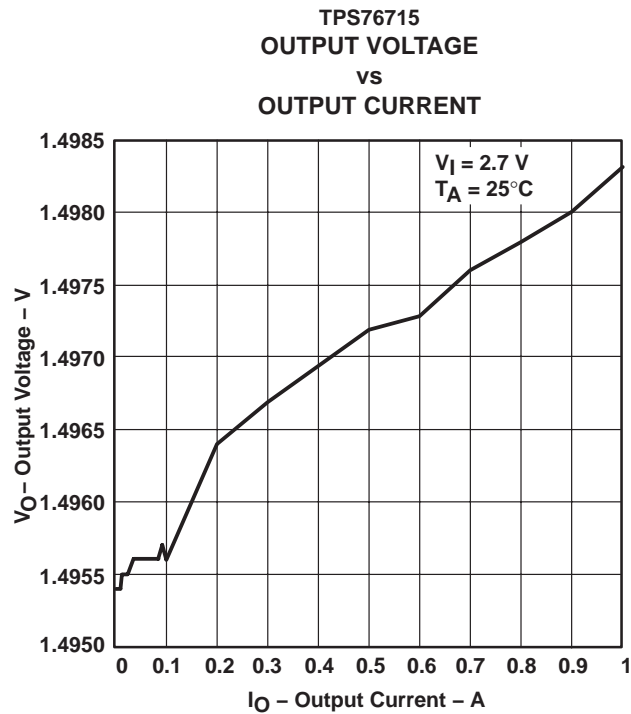


Figure 3

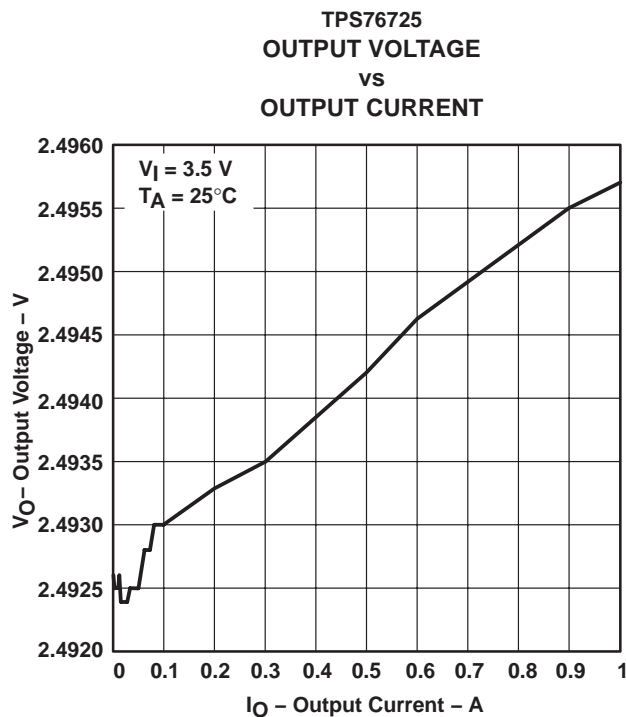


Figure 4

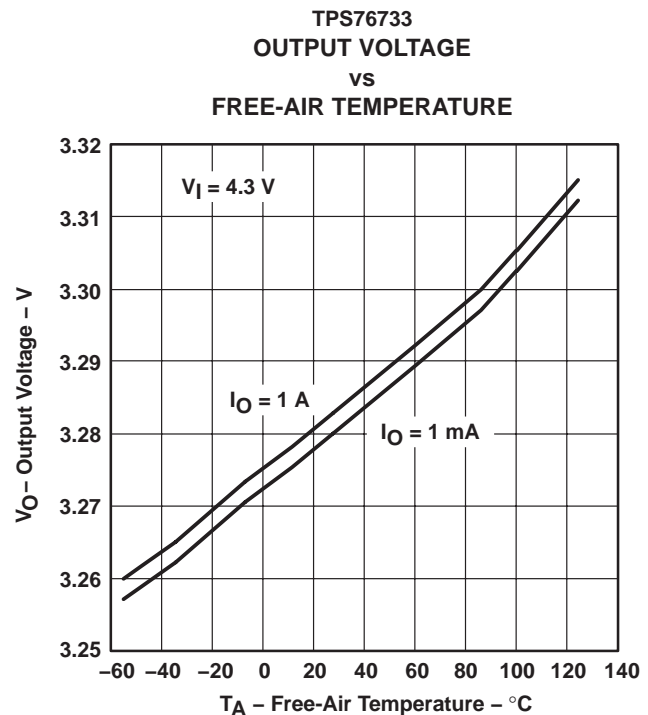


Figure 5



TYPICAL CHARACTERISTICS

TPS76715  
OUTPUT VOLTAGE  
vs  
FREE-AIR TEMPERATURE

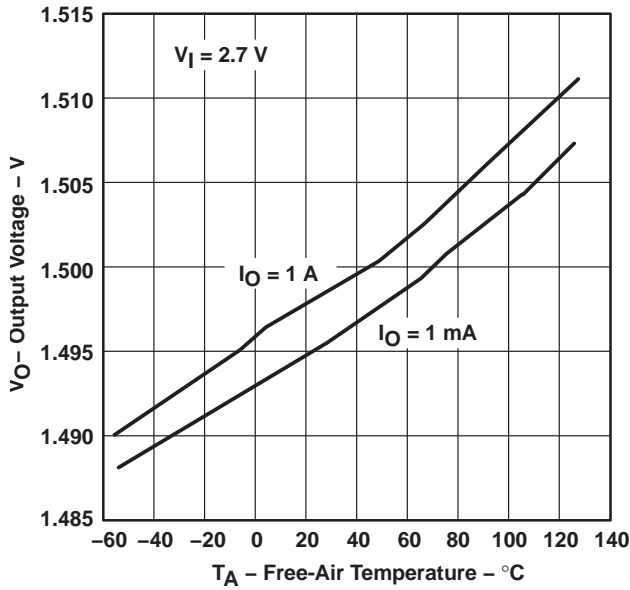


Figure 6

TPS76725  
OUTPUT VOLTAGE  
vs  
FREE-AIR TEMPERATURE

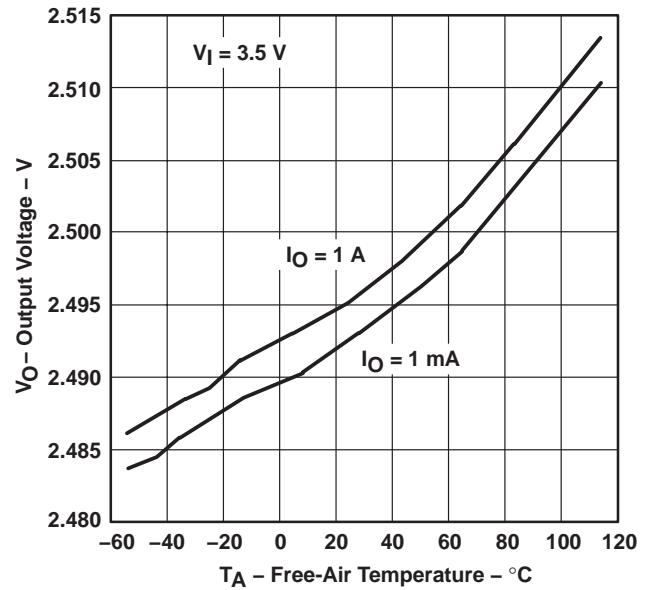


Figure 7

TPS76733  
GROUND CURRENT  
vs  
FREE-AIR TEMPERATURE

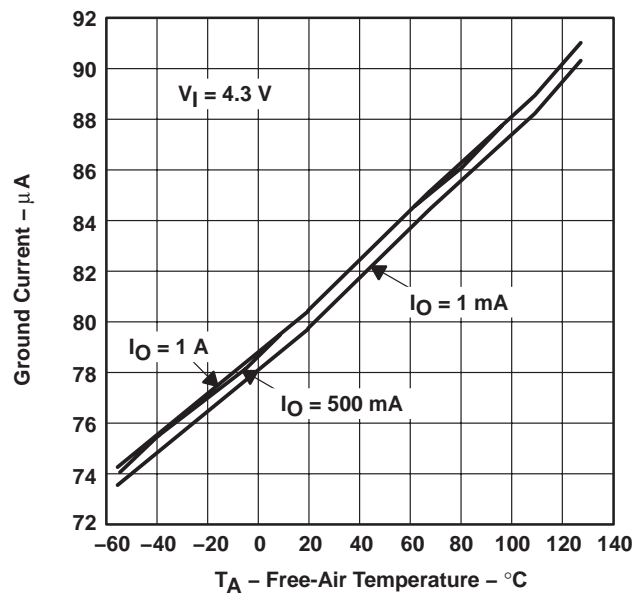


Figure 8

TYPICAL CHARACTERISTICS

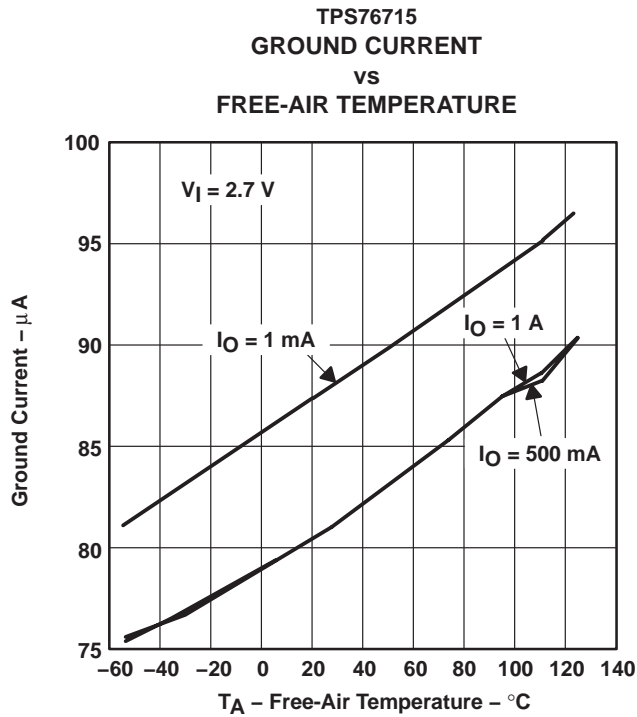


Figure 9

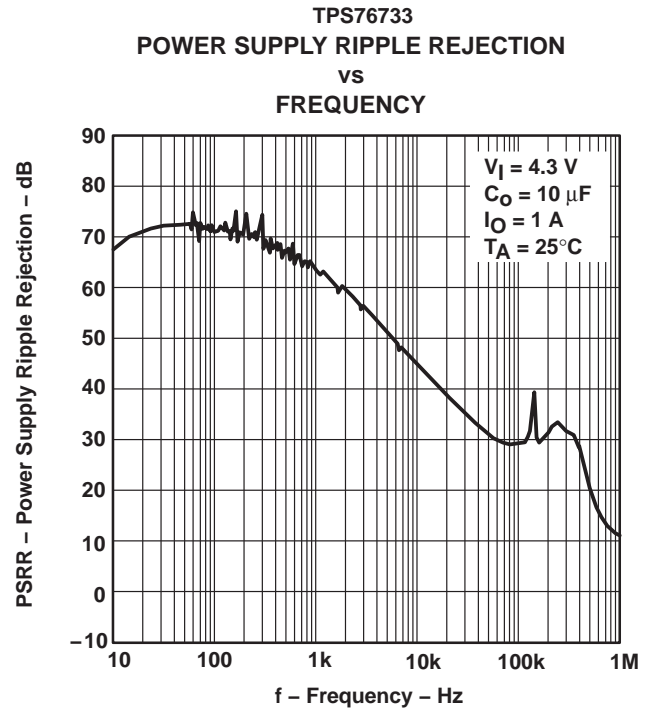


Figure 10

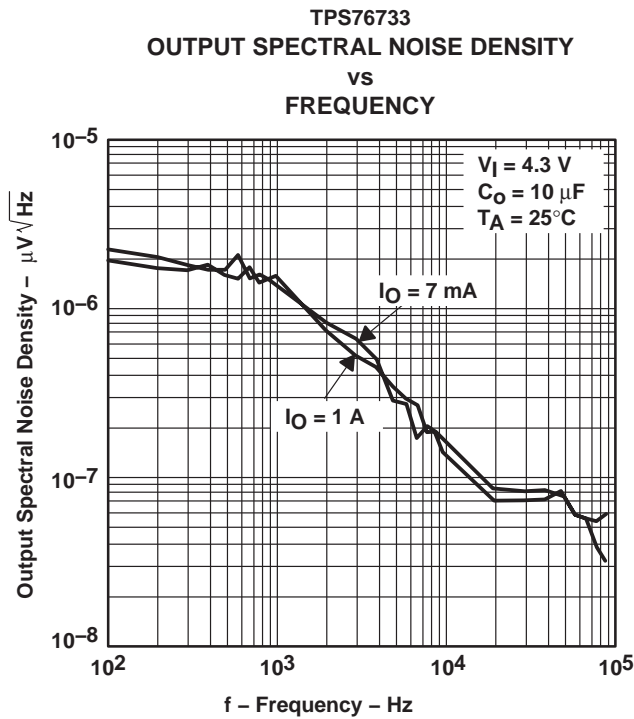


Figure 11

TYPICAL CHARACTERISTICS

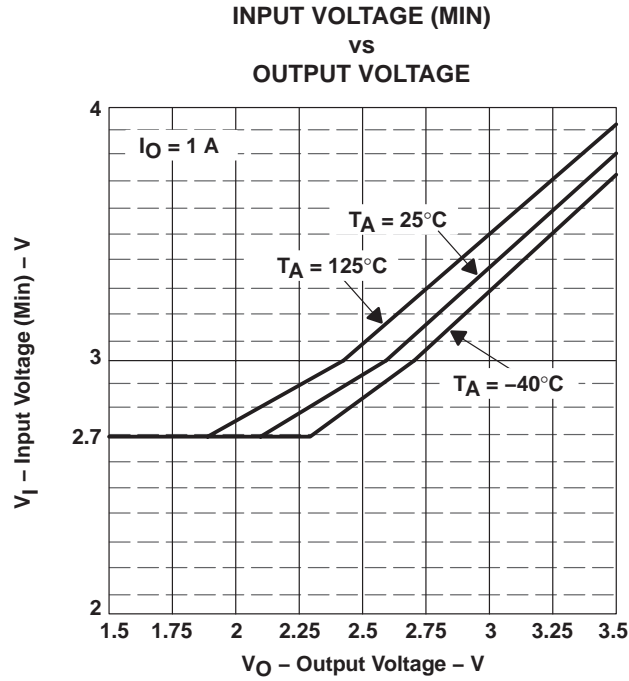


Figure 12

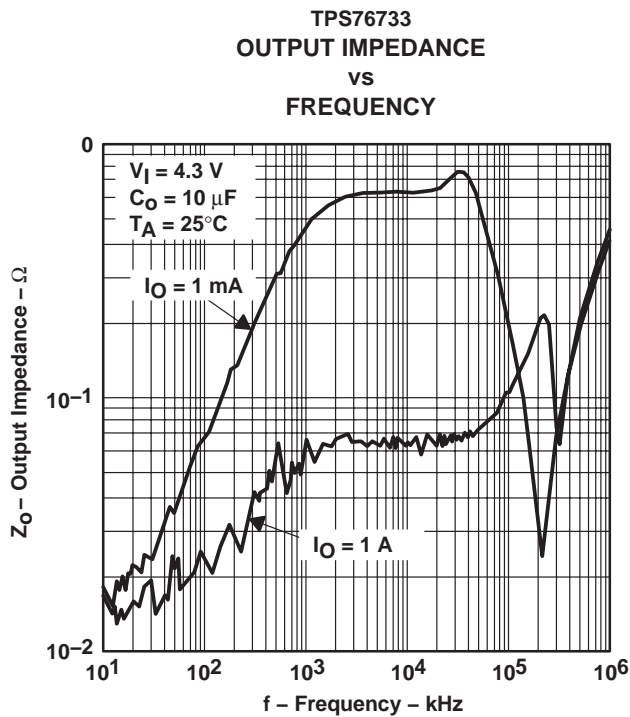


Figure 13

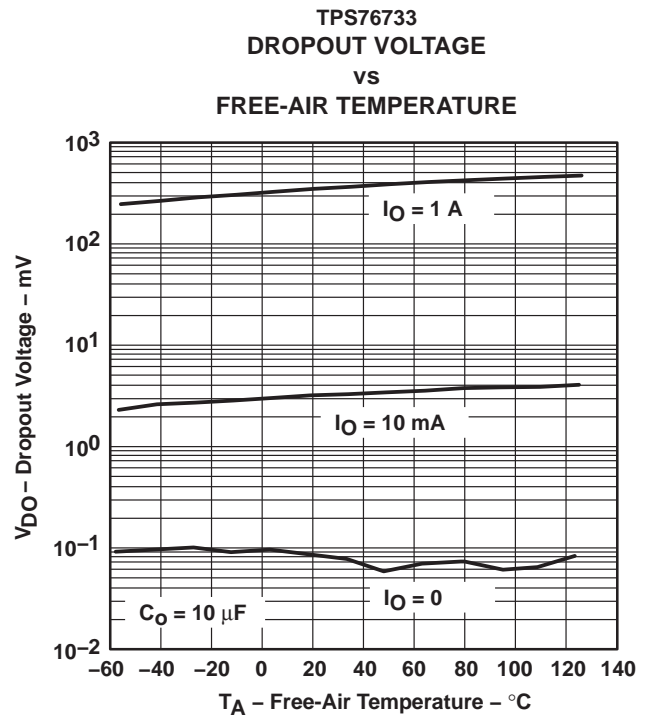


Figure 14

TYPICAL CHARACTERISTICS

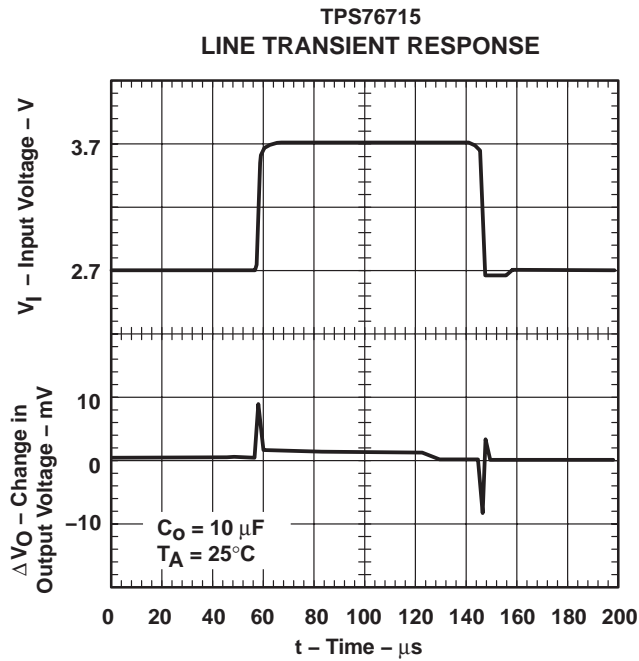


Figure 15

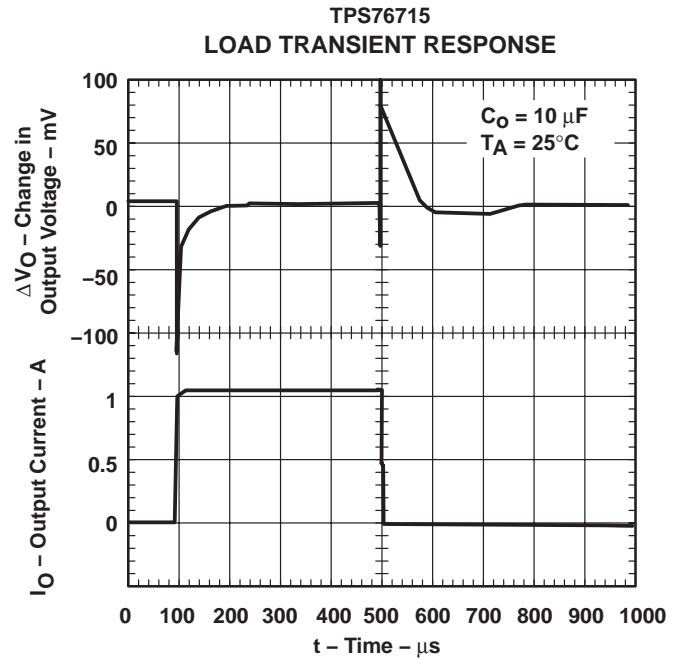


Figure 16

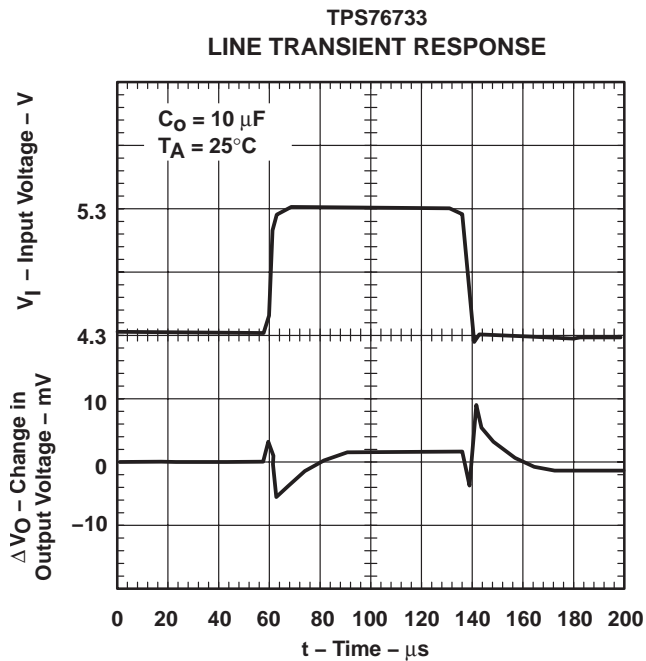


Figure 17

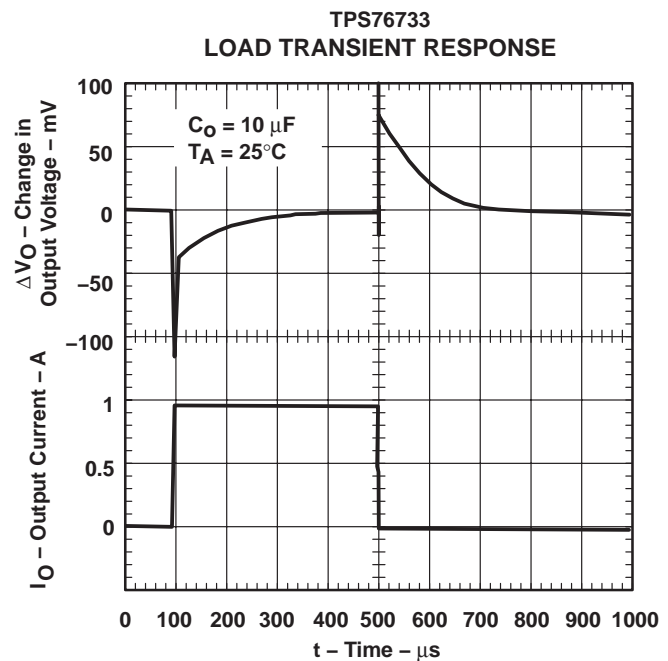
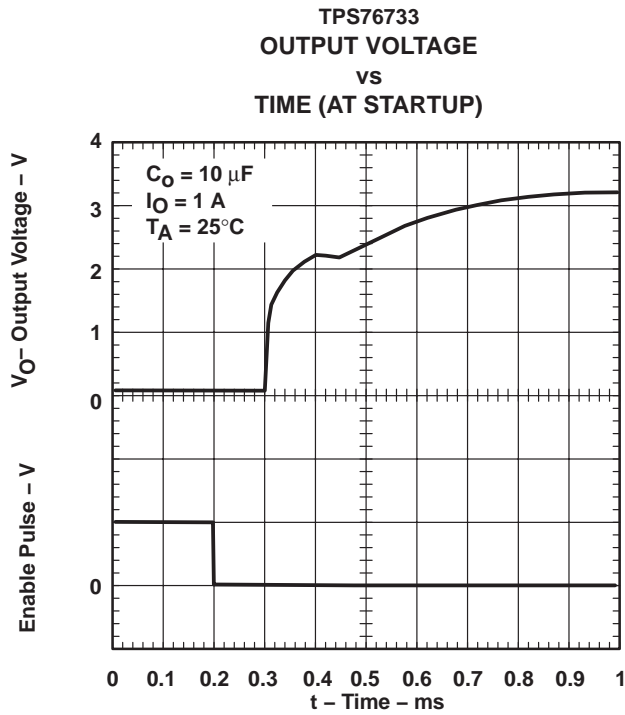
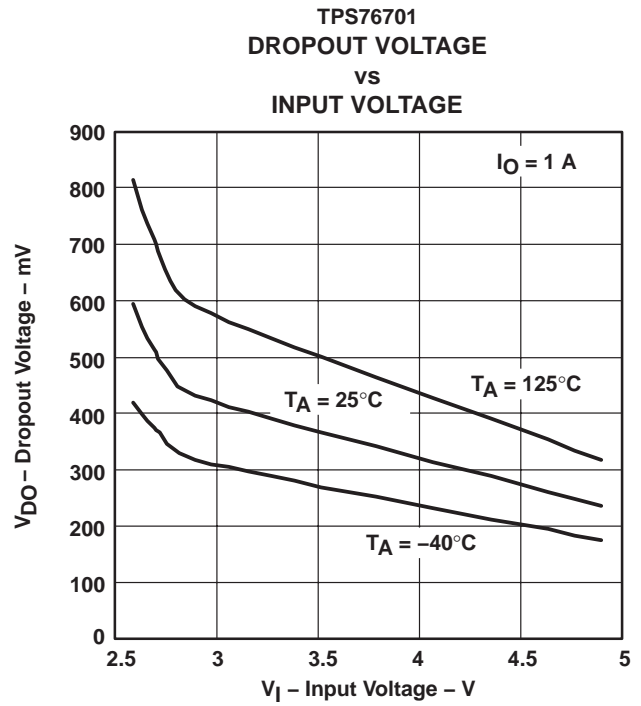


Figure 18

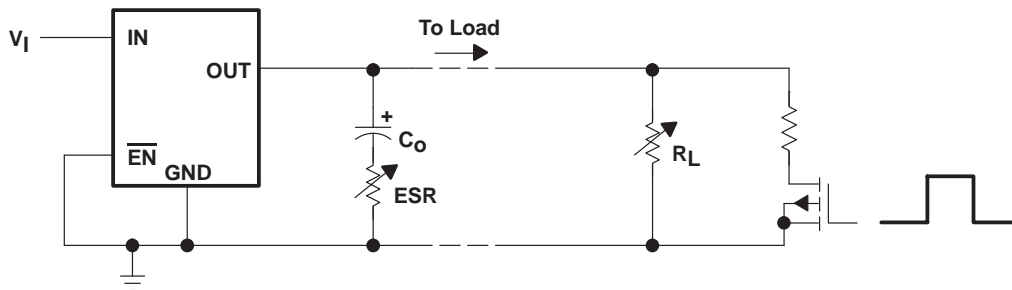
**TYPICAL CHARACTERISTICS**



**Figure 19**



**Figure 20**



**Figure 21. Test Circuit for Typical Regions of Stability (Figures 22 through 25) (Fixed Output Options)**

TYPICAL CHARACTERISTICS

TYPICAL REGION OF STABILITY  
 EQUIVALENT SERIES RESISTANCE(1)  
 vs  
 OUTPUT CURRENT

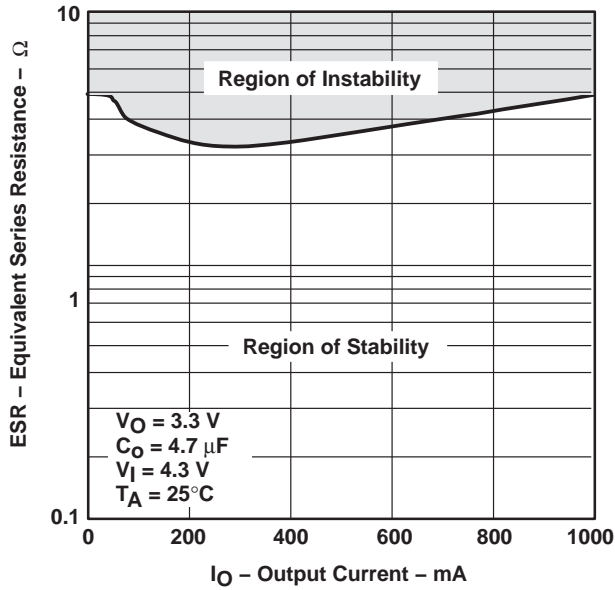


Figure 22

TYPICAL REGION OF STABILITY  
 EQUIVALENT SERIES RESISTANCE(1)  
 vs  
 OUTPUT CURRENT

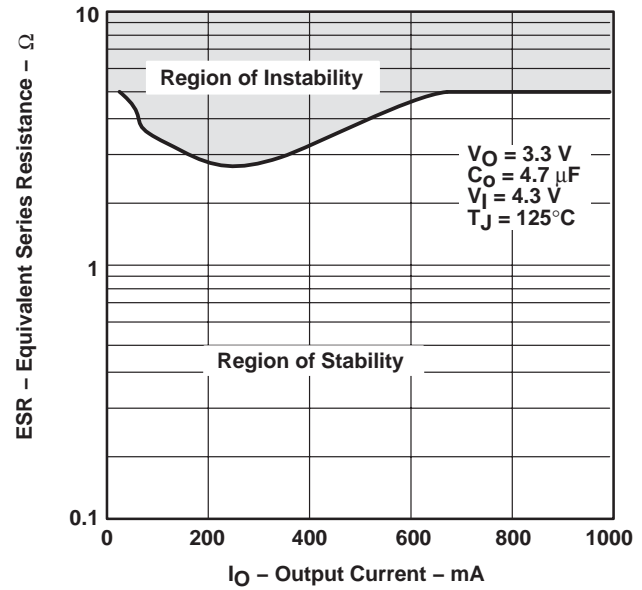


Figure 23

TYPICAL REGION OF STABILITY  
 EQUIVALENT SERIES RESISTANCE(1)  
 vs  
 OUTPUT CURRENT

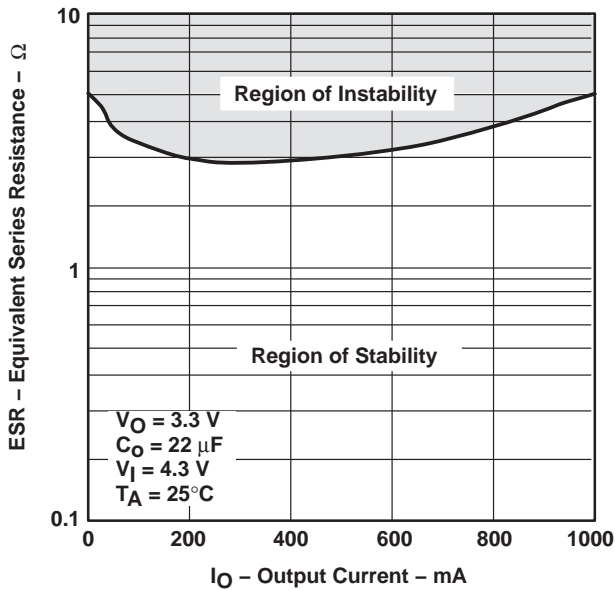


Figure 24

TYPICAL REGION OF STABILITY  
 EQUIVALENT SERIES RESISTANCE(1)  
 vs  
 OUTPUT CURRENT

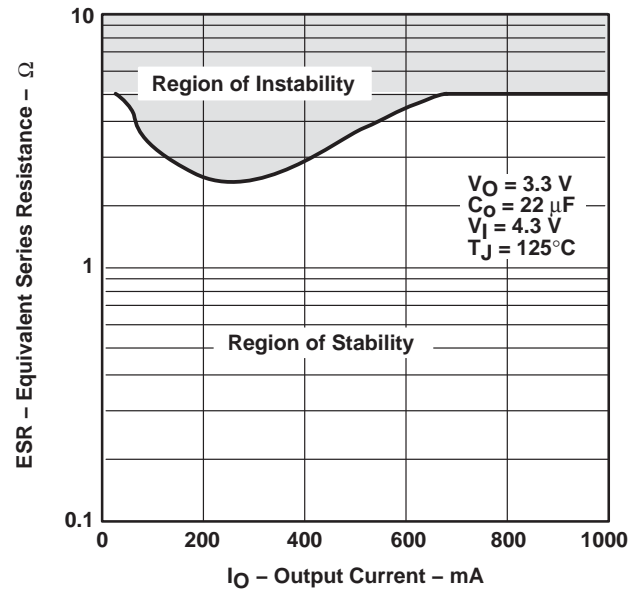


Figure 25

(1) Equivalent series resistance (ESR) refers to the total series resistance, including the ESR of the capacitor, any series resistance added externally, and PWB trace resistance to  $C_O$ .

## APPLICATION INFORMATION

The TPS767xx family includes eight fixed-output voltage regulators (1.5 V, 1.8 V, 2.5 V, 2.7 V, 2.8 V, 3.0 V, 3.3 V, and 5.0 V), and an adjustable regulator, the TPS76701 (adjustable from 1.5 V to 5.5 V).

### device operation

The TPS767xx features very low quiescent current, which remains virtually constant even with varying loads. Conventional LDO regulators use a pnp pass element, the base current of which is directly proportional to the load current through the regulator ( $I_B = I_O/\beta$ ). The TPS767xx uses a PMOS transistor to pass current; because the gate of the PMOS is voltage driven, operating current is low and invariable over the full load range.

Another pitfall associated with the pnp-pass element is its tendency to saturate when the device goes into dropout. The resulting drop in  $\beta$  forces an increase in  $I_B$  to maintain the load. During power up, this translates to large start-up currents. Systems with limited supply current may fail to start up. In battery-powered systems, it means rapid battery discharge when the voltage decays below the minimum required for regulation. The TPS767xx quiescent current remains low even when the regulator drops out, eliminating both problems.

The TPS767xx family also features a shutdown mode that places the output in the high-impedance state (essentially equal to the feedback-divider resistance) and reduces quiescent current to 2  $\mu$ A. If the shutdown feature is not used,  $\overline{EN}$  should be tied to ground.

### minimum load requirements

The TPS767xx family is stable even at zero load; no minimum load is required for operation.

### FB—pin connection (adjustable version only)

The FB pin is an input pin to sense the output voltage and close the loop for the adjustable option. The output voltage is sensed through a resistor divider network to close the loop as shown in Figure 27. Normally, this connection should be as short as possible; however, the connection can be made near a critical circuit to improve performance at that point. Internally, FB connects to a high-impedance wide-bandwidth amplifier and noise pickup feeds through to the regulator output. Routing the FB connection to minimize/avoid noise pickup is essential.

### external capacitor requirements

An input capacitor is not usually required; however, a ceramic bypass capacitor (0.047  $\mu$ F or larger) improves load transient response and noise rejection if the TPS767xx is located more than a few inches from the power supply. A higher-capacitance electrolytic capacitor may be necessary if large (hundreds of milliamps) load transients with fast rise times are anticipated.

Like all low dropout regulators, the TPS767xx requires an output capacitor connected between OUT and GND to stabilize the internal control loop. The minimum recommended capacitance value is 10  $\mu$ F and the ESR (equivalent series resistance) must be between 50 m $\Omega$  and 1.5  $\Omega$ . Capacitor values 10  $\mu$ F or larger are acceptable, provided the ESR is less than 1.5  $\Omega$ . Solid tantalum electrolytic, aluminum electrolytic, and multilayer ceramic capacitors are all suitable, provided they meet the requirements described above. Most of the commercially available 10  $\mu$ F surface-mount ceramic capacitors, including devices from Sprague and Kemet, meet the ESR requirements stated above.

APPLICATION INFORMATION

external capacitor requirements (continued)

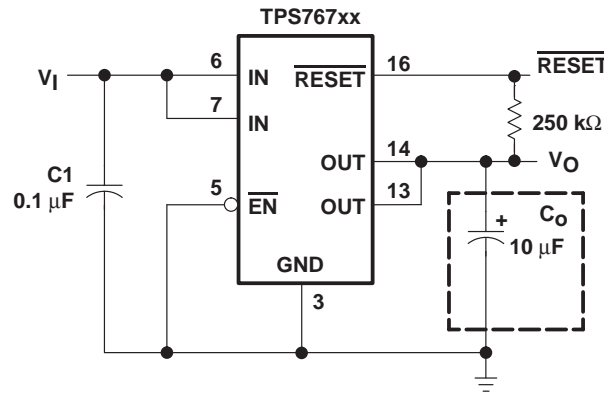


Figure 26. Typical Application Circuit (Fixed Versions)

programming the TPS76701 adjustable LDO regulator

The output voltage of the TPS76701 adjustable regulator is programmed using an external resistor divider as shown in Figure 27. The output voltage is calculated using:

$$V_O = V_{ref} \times \left(1 + \frac{R1}{R2}\right) \tag{1}$$

Where:

$V_{ref}$  = 1.1834 V typ (the internal reference voltage)

Resistors R1 and R2 should be chosen for approximately 50-μA divider current. Lower value resistors can be used but offer no inherent advantage and waste more power. Higher values should be avoided as leakage currents at FB increase the output voltage error. The recommended design procedure is to choose R2 = 30.1 kΩ to set the divider current at 50 μA and then calculate R1 using:

$$R1 = \left(\frac{V_O}{V_{ref}} - 1\right) \times R2 \tag{2}$$

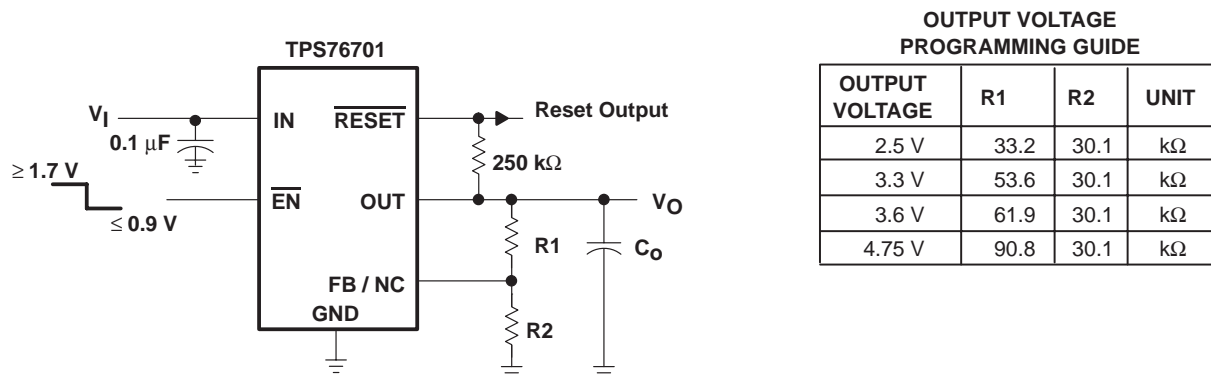


Figure 27. TPS76701 Adjustable LDO Regulator Programming



## APPLICATION INFORMATION

### reset indicator

The TPS767xx features a  $\overline{\text{RESET}}$  output that can be used to monitor the status of the regulator. The internal comparator monitors the output voltage: when the output drops to between 92% and 98% of its nominal regulated value, the  $\overline{\text{RESET}}$  output transistor turns on, taking the signal low. The open-drain output requires a pullup resistor. If not used, it can be left floating.  $\overline{\text{RESET}}$  can be used to drive power-on reset circuitry or as a low-battery indicator.  $\overline{\text{RESET}}$  does not assert itself when the regulated output voltage falls outside the specified 2% tolerance, but instead reports an output voltage low relative to its nominal regulated value (refer to timing diagram for start-up sequence).

### regulator protection

The TPS767xx PMOS-pass transistor has a built-in back diode that conducts reverse currents when the input voltage drops below the output voltage (e.g., during power down). Current is conducted from the output to the input and is not internally limited. When extended reverse voltage is anticipated, external limiting may be appropriate.

The TPS767xx also features internal current limiting and thermal protection. During normal operation, the TPS767xx limits output current to approximately 1.7 A. When current limiting engages, the output voltage scales back linearly until the overcurrent condition ends. While current limiting is designed to prevent gross device failure, care should be taken not to exceed the power dissipation ratings of the package. If the temperature of the device exceeds 150°C(typ), thermal-protection circuitry shuts it down. Once the device has cooled below 130°C(typ), regulator operation resumes.

### power dissipation and junction temperature

Specified regulator operation is assured to a junction temperature of 125°C; the maximum junction temperature should be restricted to 125°C under normal operating conditions. This restriction limits the power dissipation the regulator can handle in any given application. To ensure the junction temperature is within acceptable limits, calculate the maximum allowable dissipation,  $P_{D(\text{max})}$ , and the actual dissipation,  $P_D$ , which must be less than or equal to  $P_{D(\text{max})}$ .

The maximum-power-dissipation limit is determined using the following equation:

$$P_{D(\text{max})} = \frac{T_{J\text{max}} - T_A}{R_{\theta\text{JA}}}$$

Where:

$T_{J\text{max}}$  is the maximum allowable junction temperature.

$R_{\theta\text{JA}}$  is the thermal resistance junction-to-ambient for the package, i.e., 172°C/W for the 8-terminal SOIC and 32.6°C/W for the 20-terminal PWP with no airflow.

$T_A$  is the ambient temperature.

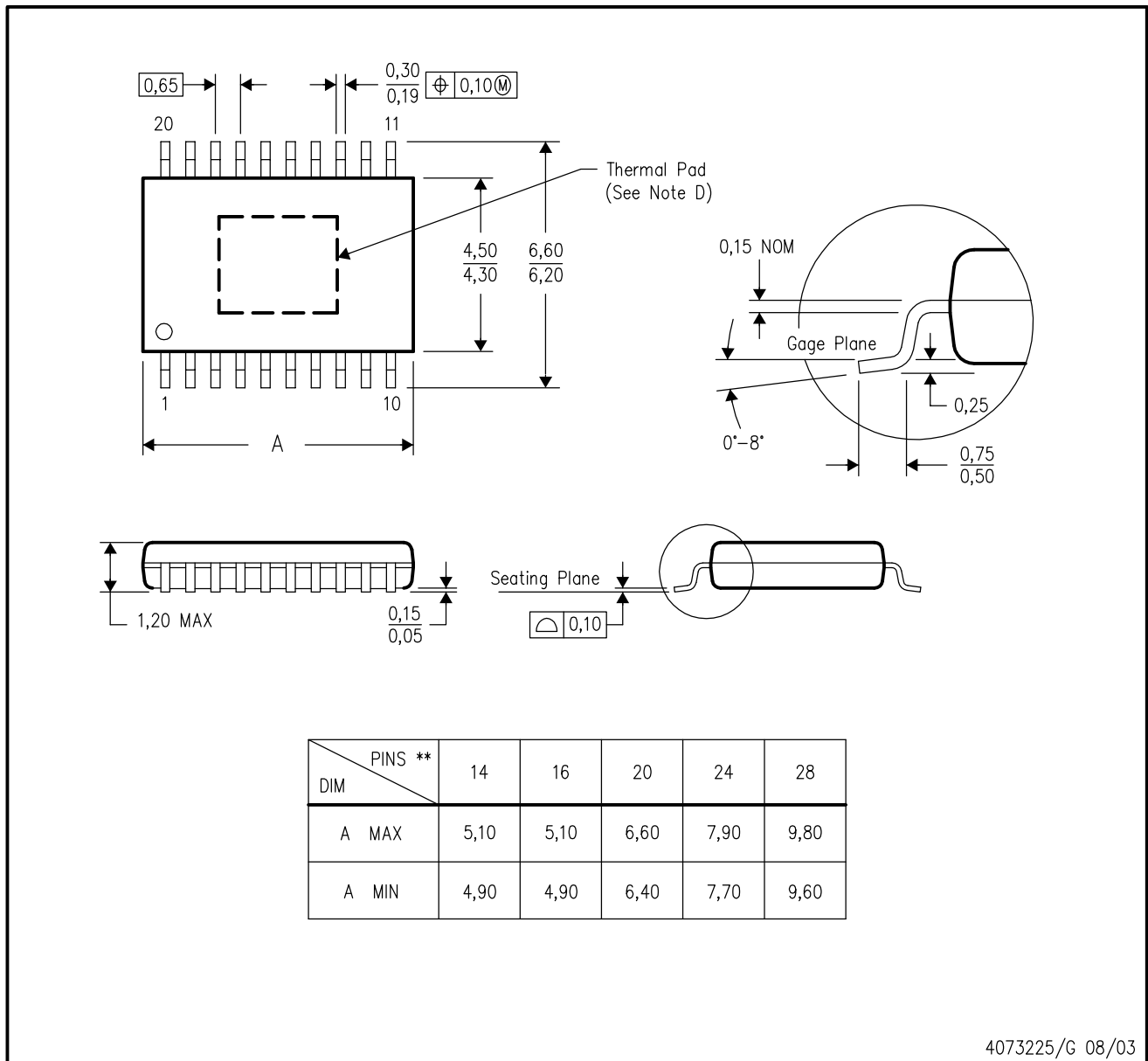
The regulator dissipation is calculated using:

$$P_D = (V_I - V_O) \times I_O$$

Power dissipation resulting from quiescent current is negligible. Excessive power dissipation will trigger the thermal protection circuit.

PWP (R-PDSO-G\*\*) 20 PIN SHOWN

PowerPAD™ PLASTIC SMALL-OUTLINE PACKAGE



4073225/G 08/03

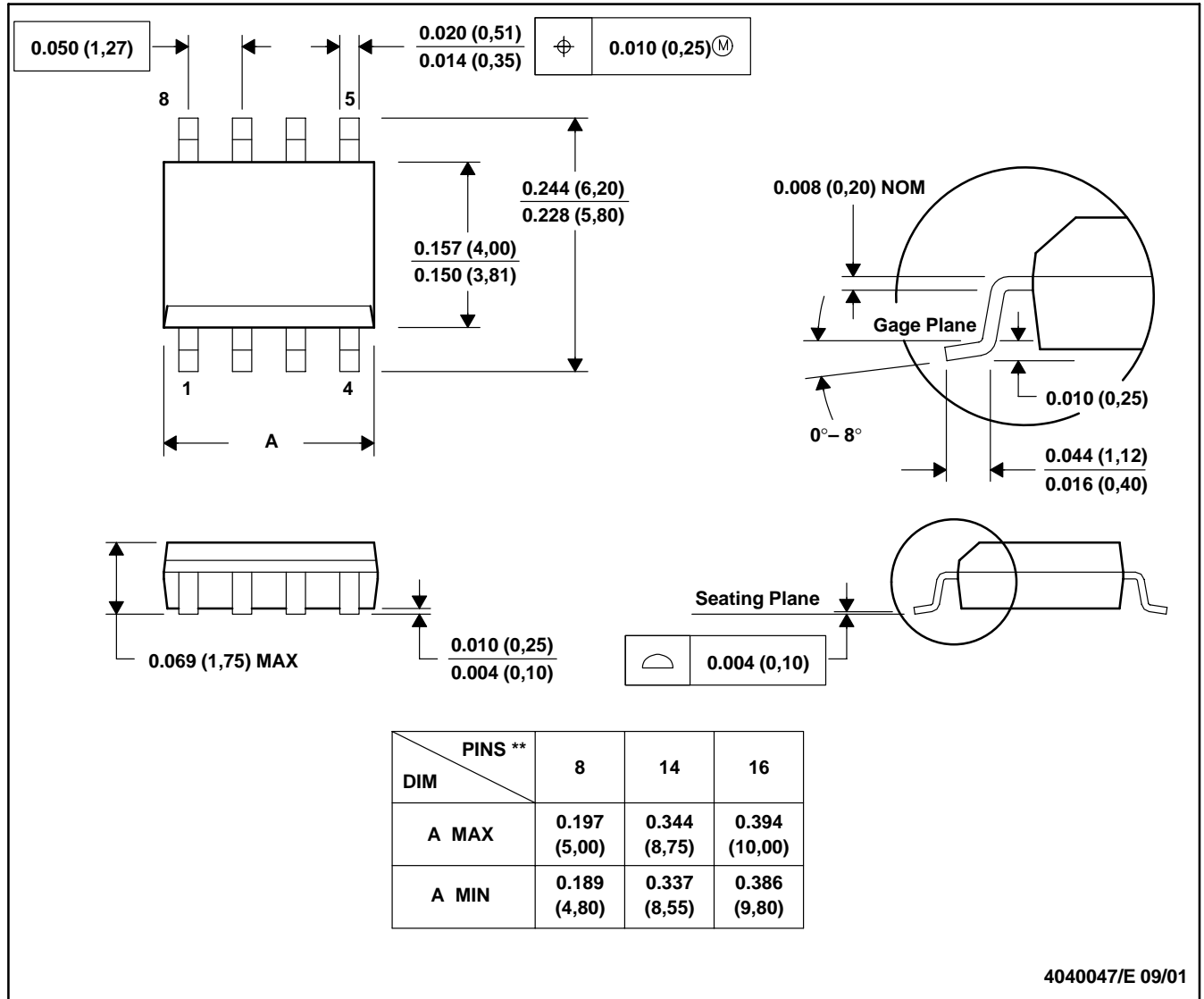
- NOTES:
- A. All linear dimensions are in millimeters.
  - B. This drawing is subject to change without notice.
  - C. Body dimensions do not include mold flash or protrusions.
  - D. This package is designed to be soldered to a thermal pad on the board. Refer to Technical Brief, PowerPad Thermally Enhanced Package, Texas Instruments Literature No. SLMA002 for information regarding recommended board layout. This document is available at [www.ti.com](http://www.ti.com) <<http://www.ti.com>>.
  - E. Falls within JEDEC MO-153

PowerPAD is a trademark of Texas Instruments.

D (R-PDSO-G\*\*)

PLASTIC SMALL-OUTLINE PACKAGE

8 PINS SHOWN



- NOTES: A. All linear dimensions are in inches (millimeters).  
 B. This drawing is subject to change without notice.  
 C. Body dimensions do not include mold flash or protrusion, not to exceed 0.006 (0,15).  
 D. Falls within JEDEC MS-012

## IMPORTANT NOTICE

Texas Instruments Incorporated and its subsidiaries (TI) reserve the right to make corrections, modifications, enhancements, improvements, and other changes to its products and services at any time and to discontinue any product or service without notice. Customers should obtain the latest relevant information before placing orders and should verify that such information is current and complete. All products are sold subject to TI's terms and conditions of sale supplied at the time of order acknowledgment.

TI warrants performance of its hardware products to the specifications applicable at the time of sale in accordance with TI's standard warranty. Testing and other quality control techniques are used to the extent TI deems necessary to support this warranty. Except where mandated by government requirements, testing of all parameters of each product is not necessarily performed.

TI assumes no liability for applications assistance or customer product design. Customers are responsible for their products and applications using TI components. To minimize the risks associated with customer products and applications, customers should provide adequate design and operating safeguards.

TI does not warrant or represent that any license, either express or implied, is granted under any TI patent right, copyright, mask work right, or other TI intellectual property right relating to any combination, machine, or process in which TI products or services are used. Information published by TI regarding third-party products or services does not constitute a license from TI to use such products or services or a warranty or endorsement thereof. Use of such information may require a license from a third party under the patents or other intellectual property of the third party, or a license from TI under the patents or other intellectual property of TI.

Reproduction of information in TI data books or data sheets is permissible only if reproduction is without alteration and is accompanied by all associated warranties, conditions, limitations, and notices. Reproduction of this information with alteration is an unfair and deceptive business practice. TI is not responsible or liable for such altered documentation.

Resale of TI products or services with statements different from or beyond the parameters stated by TI for that product or service voids all express and any implied warranties for the associated TI product or service and is an unfair and deceptive business practice. TI is not responsible or liable for any such statements.

Following are URLs where you can obtain information on other Texas Instruments products and application solutions:

| <b>Products</b>  |  | <b>Applications</b> |  |
|------------------|--|---------------------|--|
| Amplifiers       | <a href="http://amplifier.ti.com">amplifier.ti.com</a>             | Audio               | <a href="http://www.ti.com/audio">www.ti.com/audio</a>                   |
| Data Converters  | <a href="http://dataconverter.ti.com">dataconverter.ti.com</a>     | Automotive          | <a href="http://www.ti.com/automotive">www.ti.com/automotive</a>         |
| DSP              | <a href="http://dsp.ti.com">dsp.ti.com</a>                         | Broadband           | <a href="http://www.ti.com/broadband">www.ti.com/broadband</a>           |
| Interface        | <a href="http://interface.ti.com">interface.ti.com</a>             | Digital Control     | <a href="http://www.ti.com/digitalcontrol">www.ti.com/digitalcontrol</a> |
| Logic            | <a href="http://logic.ti.com">logic.ti.com</a>                     | Military            | <a href="http://www.ti.com/military">www.ti.com/military</a>             |
| Power Mgmt       | <a href="http://power.ti.com">power.ti.com</a>                     | Optical Networking  | <a href="http://www.ti.com/opticalnetwork">www.ti.com/opticalnetwork</a> |
| Microcontrollers | <a href="http://microcontroller.ti.com">microcontroller.ti.com</a> | Security            | <a href="http://www.ti.com/security">www.ti.com/security</a>             |
|                  |  | Telephony           | <a href="http://www.ti.com/telephony">www.ti.com/telephony</a>           |
|                  |  | Video & Imaging     | <a href="http://www.ti.com/video">www.ti.com/video</a>                   |
|                  |  | Wireless            | <a href="http://www.ti.com/wireless">www.ti.com/wireless</a>             |

Mailing Address: Texas Instruments  
Post Office Box 655303 Dallas, Texas 75265