

μ A78L00 SERIES POSITIVE-VOLTAGE REGULATORS

SLVS010R – JANUARY 1976 – REVISED OCTOBER 2003

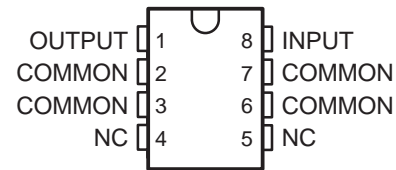
- 3-Terminal Regulators
- Output Current Up To 100 mA
- No External Components
- Internal Thermal-Overload Protection
- Internal Short-Circuit Current Limiting

description/ordering information

This series of fixed-voltage integrated-circuit voltage regulators is designed for a wide range of applications. These applications include on-card regulation for elimination of noise and distribution problems associated with single-point regulation. In addition, they can be used with power-pass elements to make high-current voltage regulators. One of these regulators can deliver up to 100 mA of output current. The internal limiting and thermal-shutdown features of these regulators essentially make them immune to overload. When used as a replacement for a Zener diode-resistor combination, an effective improvement in output impedance can be obtained, together with lower bias current.

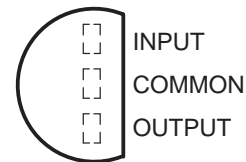
The μ A78L00C and μ A78L00AC series are characterized for operation over the virtual junction temperature range of 0°C to 125°C. The μ A78L05AI is characterized for operation over the virtual junction temperature range of -40°C to 125°C.

**D PACKAGE
(TOP VIEW)**

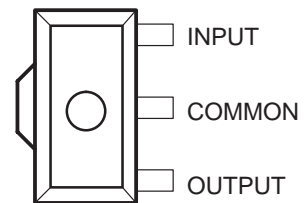


NC – No internal connection

**LP PACKAGE
(TO-92, TO-226AA)
(TOP VIEW)**



**PK PACKAGE
(TOP VIEW)**



Please be aware that an important notice concerning availability, standard warranty, and use in critical applications of Texas Instruments semiconductor products and disclaimers thereto appears at the end of this data sheet.

PRODUCTION DATA information is current as of publication date. Products conform to specifications per the terms of Texas Instruments standard warranty. Production processing does not necessarily include testing of all parameters.

 **TEXAS
INSTRUMENTS**

POST OFFICE BOX 655303 • DALLAS, TEXAS 75265

Copyright © 2003, Texas Instruments Incorporated

μA78L00 SERIES POSITIVE-VOLTAGE REGULATORS

SLVS010R – JANUARY 1976 – REVISED OCTOBER 2003

description/ordering information (continued)

ORDERING INFORMATION

T _J	V _{O(NOM)} (V)	OUTPUT VOLTAGE TOLERANCE	PACKAGE†		ORDERABLE PART NUMBER	TOP-SIDE MARKING
0°C to 125°C	2.6 V	5%	SOIC (D)	Tube of 75	μA78L02ACD	78L02A
			TO-226/TO-92 (LP)	Bulk of 1000	μA78L02ACLP	78L02AC
	5 V	5%	SOIC (D)	Tube of 75	μA78L05ACD	78L05A
				Reel of 2500	μA78L05ACDR	
			TO-226/TO-92 (LP)	Bulk of 1000	μA78L05ACLP	78L05AC
				Pack of 2000	μA78L05ACLPM	
		10%	SOT-89 (PK)	Reel of 1000	μA78L05ACPK	F5
				Tube of 75	μA78L05CD	78L05C
			SOIC (D)	Reel of 2500	μA78L05CDR	
				TO-92 (LP) TO-226AA (LP)	Bulk of 1000 Reel of 2000	μA78L05CLP μA78L05CLPR
	SOT-89 (PK)	Tube of	μA78L05CPK	B5		
		6.2 V	5%	TO-226/TO-92 (LP)	Bulk of 1000	μA78L06ACLP
	Reel of 2000				μA78L06ACLPR	
	SOT-89 (PK)			Reel of 1000	μA78L06ACPK	F6
	8 V	5%	SOIC (D)	Tube of 75	μA78L08ACD	78L08A
				Reel of 2500	μA78L08ACDR	
			TO-226/TO-92 (LP)	Bulk of 1000	μA78L08ACLP	78L08AC
				Reel of 2000	μA78L08ACLPR	
		SOT-89 (PK)	Reel of 1000	μA78L08ACPK	F8	
			10%	SOIC (D)	Tube of 75	μA78L08CD
	Reel of 2500	μA78L08CDR				
	9 V	5%	SOIC (D)	Tube of 75	μA78L09ACD	78L09A
				Reel of 2500	μA78L09ACDR	
			TO-226/TO-92 (LP)	Bulk of 1000	μA78L09ACLP	78L09AC
	Reel of 2000	μA78L09ACLPR				
	SOT-89 (PK)	Reel of 1000	μA78L09ACPK	F9		
	10 V	5%	SOIC (D)	Tube of 75	μA78L10ACD	78L10A
				Reel of 2500	μA78L10ACDR	
			TO-226/TO-92 (LP)	Bulk of 1000	μA78L10ACLP	78L10AC
	Reel of 2000	μA78L10ACLPR				
SOT-89 (PK)	Reel of 1000	μA78L10ACPK	FA			
12 V	5%	SOIC (D)	Tube of 75	μA78L12ACD	78L12A	
			Reel of 2500	μA78L12ACDR		
		TO-226/TO-92 (LP)	Bulk of 1000	μA78L12ACLP	78L12AC	
			Pack of 2000	μA78L12ACLPM		
			Reel of 2000	μA78L12ACLPR		
SOT-89 (PK)	Reel of 1000	μA78L12ACPK	FC			

† Package drawings, standard packing quantities, thermal data, symbolization, and PCB design guidelines are available at www.ti.com/sc/package.



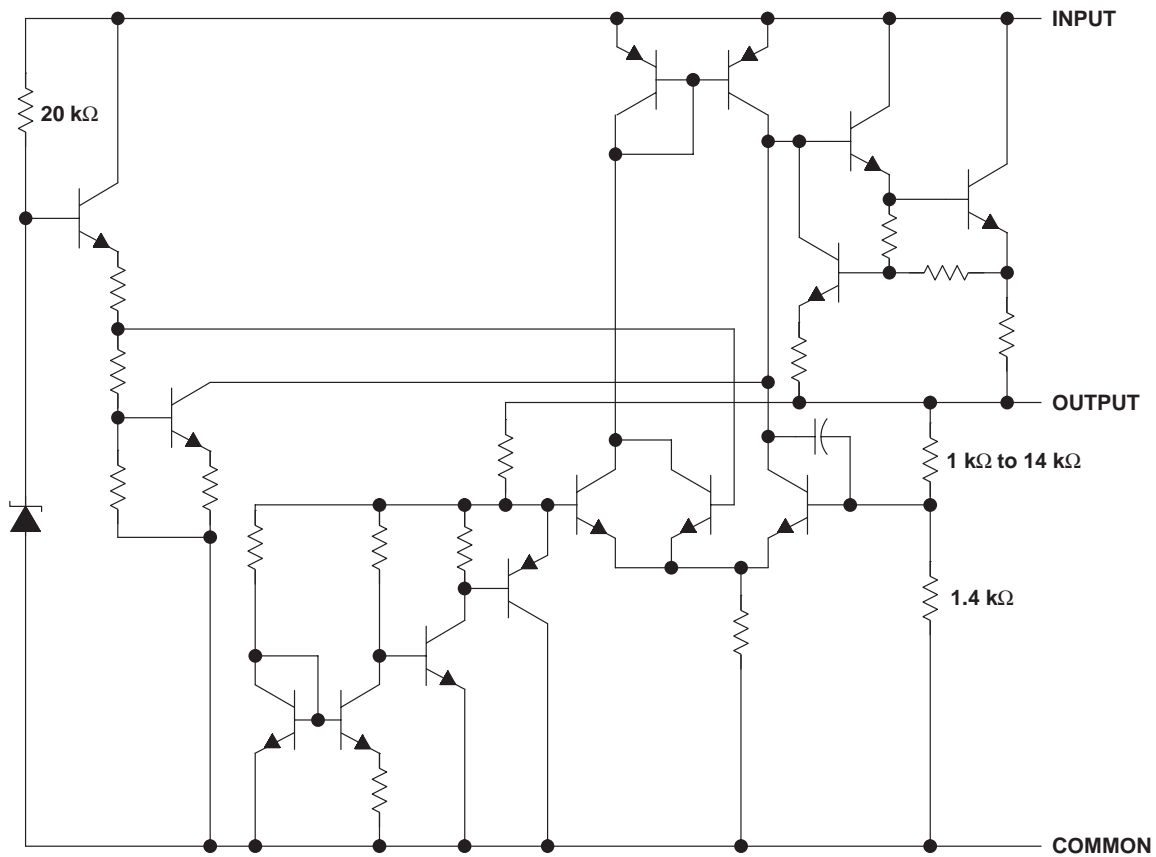
description/ordering information (continued)

ORDERING INFORMATION (continued)

T _J	V _{O(NOM)} (V)	OUTPUT VOLTAGE TOLERANCE	PACKAGE†		ORDERABLE PART NUMBER	TOP-SIDE MARKING
0°C to 125°C	15 V	5%	SOIC (D)	Tube of 75	μA78L15ACD	78L15A
				Reel of 2500	μA78L15ACDR	
			TO-226/TO-92 (LP)	Bulk of 1000	μA78L15ACLP	78L15AC
				Reel of 2000	μA78L15ACLPR	
-40°C to 125°C	5 V	5%	TO-226/TO-92 (LP)	Bulk of 1000	μA78L05AILP	78L05AI
				Reel of 2000	μA78L05AILPR	

† Package drawings, standard packing quantities, thermal data, symbolization, and PCB design guidelines are available at www.ti.com/sc/package.

schematic



NOTE A: Resistor values shown are nominal.

μA78L00 SERIES POSITIVE-VOLTAGE REGULATORS

SLVS010R – JANUARY 1976 – REVISED OCTOBER 2003

absolute maximum ratings over virtual junction temperature range (unless otherwise noted)†

Input voltage, V_I : μA78L02AC, μA78L05C–μA78L09C, μA78L10AC	30 V
μA78L12C, μA78L12AC, μA78L15C, μA78L15AC	35 V
Virtual junction temperature, T_J	150°C
Storage temperature range, T_{stg}	–65°C to 150°C

† Stresses beyond those listed under “absolute maximum ratings” may cause permanent damage to the device. These are stress ratings only, and functional operation of the device at these or any other conditions beyond those indicated under “recommended operating conditions” is not implied. Exposure to absolute-maximum-rated conditions for extended periods may affect device reliability.

package thermal data (see Note 1)

PACKAGE	BOARD	θ_{JC}	θ_{JA}
SOIC (D)	High K, JESD 51-7	39°C/W	97°C/W
TO-92/TO-226AA (LP)	High K, JESD 51-7	55°C/W	140°C/W
SOT-89 (PK)	High K, JESD 51-7	9°C/W	52°C/W

NOTE 1: Maximum power dissipation is a function of $T_J(\max)$, θ_{JA} , and T_A . The maximum allowable power dissipation at any allowable ambient temperature is $P_D = (T_J(\max) - T_A)/\theta_{JA}$. Operating at the absolute maximum T_J of 150°C can affect reliability. Due to variations in individual device electrical characteristics and thermal resistance, the built-in thermal-overload protection may be activated at power levels slightly above or below the rated dissipation.

recommended operating conditions

		MIN	MAX	UNIT	
V_I	Input voltage	μA78L02AC	4.75	20	V
		μA78L05C, μA78L05AC	7	20	
		μA78L06C, μA78L06AC	8.5	20	
		μA78L08C, μA78L08AC	10.5	23	
		μA78L09C, μA78L09AC	11.5	24	
		μA78L10AC	12.5	25	
		μA78L12C, μA78L12AC μA78L15C, μA78L15AC	14.5 17.5	27 30	
I_O	Output current		100	mA	
T_J	Operating virtual junction temperature range	μA78LxxC and μA78LxxAC series	0	125	°C
		μA78L05AI	–40	125	



μA78L00 SERIES POSITIVE-VOLTAGE REGULATORS

SLVS010R – JANUARY 1976 – REVISED OCTOBER 2003

electrical characteristics at specified virtual junction temperature, $V_I = 9\text{ V}$, $I_O = 40\text{ mA}$ (unless otherwise noted)

PARAMETER	TEST CONDITIONS	T_J †	μA78L02AC			UNIT
			MIN	TYP	MAX	
Output voltage	$V_I = 4.75\text{ V to }20\text{ V}$, $I_O = 1\text{ mA to }40\text{ mA}$	25°C	2.5	2.6	2.7	V
		0°C to 125°C	2.45		2.75	
	$I_O = 1\text{ mA to }70\text{ mA}$	0°C to 125°C	2.45		2.75	
Input voltage regulation	$V_I = 4.75\text{ V to }20\text{ V}$	25°C		20	100	mV
	$V_I = 5\text{ V to }20\text{ V}$			16	75	
Ripple rejection	$V_I = 6\text{ V to }20\text{ V}$, $f = 120\text{ Hz}$	25°C	43	51		dB
Output voltage regulation	$I_O = 1\text{ mA to }100\text{ mA}$	25°C		12	50	mV
	$I_O = 1\text{ mA to }40\text{ mA}$			6	25	
Output noise voltage	$f = 10\text{ Hz to }100\text{ kHz}$	25°C		30		μV
Dropout voltage		25°C		1.7		V
Bias current		25°C		3.6	6	mA
		125°C			5.5	
Bias current change	$V_I = 5\text{ V to }20\text{ V}$	0°C to 125°C			2.5	mA
	$I_O = 1\text{ mA to }40\text{ mA}$				0.1	

† Pulse-testing techniques maintain T_J as close to T_A as possible. Thermal effects must be taken into account separately. All characteristics are measured with a 0.33-μF capacitor across the input and a 0.1-μF capacitor across the output.

electrical characteristics at specified virtual junction temperature, $V_I = 10\text{ V}$, $I_O = 40\text{ mA}$ (unless otherwise noted)

PARAMETER	TEST CONDITIONS	T_J ‡	μA78L05C			μA78L05AC μA78L05AI			UNIT
			MIN	TYP	MAX	MIN	TYP	MAX	
Output voltage	$V_I = 7\text{ V to }20\text{ V}$, $I_O = 1\text{ mA to }40\text{ mA}$	25°C	4.6	5	5.4	4.8	5	5.2	V
		Full range	4.5		5.5	4.75		5.25	
	$I_O = 1\text{ mA to }70\text{ mA}$	Full range	4.5		5.5	4.75		5.25	
Input voltage regulation	$V_I = 7\text{ V to }20\text{ V}$	25°C		32	200		32	150	mV
	$V_I = 8\text{ V to }20\text{ V}$			26	150		26	100	
Ripple rejection	$V_I = 8\text{ V to }18\text{ V}$, $f = 120\text{ Hz}$	25°C	40	49		41	49		dB
Output voltage regulation	$I_O = 1\text{ mA to }100\text{ mA}$	25°C		15	60		15	60	mV
	$I_O = 1\text{ mA to }40\text{ mA}$			8	30		8	30	
Output noise voltage	$f = 10\text{ Hz to }100\text{ kHz}$	25°C		42		42			μV
Dropout voltage		25°C		1.7		1.7			V
Bias current		25°C		3.8	6		3.8	6	mA
		125°C			5.5			5.5	
Bias current change	$V_I = 8\text{ V to }20\text{ V}$	Full range			1.5			1.5	mA
	$I_O = 1\text{ mA to }40\text{ mA}$				0.2			0.1	

‡ Pulse-testing techniques maintain T_J as close to T_A as possible. Thermal effects must be taken into account separately. All characteristics are measured with a 0.33-μF capacitor across the input and a 0.1-μF capacitor across the output. Full range for the μA78L05AC is $T_J = 0^\circ\text{C to }125^\circ\text{C}$, and full range for the μA78L05AI is $T_J = -40^\circ\text{C to }125^\circ\text{C}$.



μA78L00 SERIES POSITIVE-VOLTAGE REGULATORS

SLVS010R – JANUARY 1976 – REVISED OCTOBER 2003

electrical characteristics at specified virtual junction temperature, $V_I = 12\text{ V}$, $I_O = 40\text{ mA}$ (unless otherwise noted)

PARAMETER	TEST CONDITIONS	T_J †	μA78L06C			μA78L06AC			UNIT
			MIN	TYP	MAX	MIN	TYP	MAX	
Output voltage	$V_I = 8.5\text{ V to }20\text{ V}$, $I_O = 1\text{ mA to }40\text{ mA}$	25°C	5.7	6.2	6.7	5.95	6.2	6.45	V
		0°C to 125°C			6.8			6.5	
	$I_O = 1\text{ mA to }70\text{ mA}$	0°C to 125°C			6.8			6.5	
Input voltage regulation	$V_I = 8.5\text{ V to }20\text{ V}$	25°C			35			175	mV
	$V_I = 9\text{ V to }20\text{ V}$				29			125	
Ripple rejection	$V_I = 10\text{ V to }20\text{ V}$, $f = 120\text{ Hz}$	25°C	39	48		40	48		dB
Output voltage regulation	$I_O = 1\text{ mA to }100\text{ mA}$	25°C			16			80	mV
	$I_O = 1\text{ mA to }40\text{ mA}$				9			40	
Output noise voltage	$f = 10\text{ Hz to }100\text{ kHz}$	25°C	46			46			μV
Dropout voltage		25°C	1.7			1.7			V
Bias current		25°C			3.9			6	mA
		125°C					5.5	5.5	
Bias current change	$V_I = 9\text{ V to }20\text{ V}$	0°C to 125°C					1.5		mA
	$I_O = 1\text{ mA to }40\text{ mA}$						0.1		

† Pulse-testing techniques maintain T_J as close to T_A as possible. Thermal effects must be taken into account separately. All characteristics are measured with a 0.33-μF capacitor across the input and a 0.1-μF capacitor across the output.

electrical characteristics at specified virtual junction temperature, $V_I = 14\text{ V}$, $I_O = 40\text{ mA}$ (unless otherwise noted)

PARAMETER	TEST CONDITIONS	T_J †	μA78L08C			μA78L08AC			UNIT
			MIN	TYP	MAX	MIN	TYP	MAX	
Output voltage	$V_I = 10.5\text{ V to }23\text{ V}$, $I_O = 1\text{ mA to }40\text{ mA}$	25°C	7.36	8	8.64	7.7	8	8.3	V
		0°C to 125°C			8.8			8.4	
	$I_O = 1\text{ mA to }70\text{ mA}$	0°C to 125°C			8.8			8.4	
Input voltage regulation	$V_I = 10.5\text{ V to }23\text{ V}$	25°C			42			175	mV
	$V_I = 11\text{ V to }23\text{ V}$				36			125	
Ripple rejection	$V_I = 13\text{ V to }23\text{ V}$, $f = 120\text{ Hz}$	25°C	36	46		37	46		dB
Output voltage regulation	$I_O = 1\text{ mA to }100\text{ mA}$	25°C			18			80	mV
	$I_O = 1\text{ mA to }40\text{ mA}$				10			40	
Output noise voltage	$f = 10\text{ Hz to }100\text{ kHz}$	25°C	54			54			μV
Dropout voltage		25°C	1.7			1.7			V
Bias current		25°C			4			6	mA
		125°C					5.5	5.5	
Bias current change	$V_I = 11\text{ V to }23\text{ V}$	0°C to 125°C					1.5		mA
	$I_O = 1\text{ mA to }40\text{ mA}$						0.1		

† Pulse-testing techniques maintain T_J as close to T_A as possible. Thermal effects must be taken into account separately. All characteristics are measured with a 0.33-μF capacitor across the input and a 0.1-μF capacitor across the output.



μA78L00 SERIES POSITIVE-VOLTAGE REGULATORS

SLVS010R – JANUARY 1976 – REVISED OCTOBER 2003

electrical characteristics at specified virtual junction temperature, $V_I = 16\text{ V}$, $I_O = 40\text{ mA}$ (unless otherwise noted)

PARAMETER	TEST CONDITIONS	T_J †	μA78L09C			μA78L09AC			UNIT
			MIN	TYP	MAX	MIN	TYP	MAX	
Output voltage	$V_I = 12\text{ V to }24\text{ V}$, $I_O = 1\text{ mA to }40\text{ mA}$	25°C	8.3	9	9.7	8.6	9	9.4	V
		0°C to 125°C	8.1		9.9	8.55		9.45	
	$I_O = 1\text{ mA to }70\text{ mA}$	0°C to 125°C	8.1		9.9	8.55		9.45	
Input voltage regulation	$V_I = 12\text{ V to }24\text{ V}$	25°C		45	225		45	175	mV
	$V_I = 13\text{ V to }24\text{ V}$			40	175		40	125	
Ripple rejection	$V_I = 15\text{ V to }25\text{ V}$, $f = 120\text{ Hz}$	25°C	36	45		38	45		dB
Output voltage regulation	$I_O = 1\text{ mA to }100\text{ mA}$	25°C		19	90		19	90	mV
	$I_O = 1\text{ mA to }40\text{ mA}$			11	40		11	40	
Output noise voltage	$f = 10\text{ Hz to }100\text{ kHz}$	25°C		58		58			μV
Dropout voltage		25°C		1.7		1.7			V
Bias current		25°C		4.1	6		4.1	6	mA
		125°C			5.5			5.5	
Bias current change	$V_I = 13\text{ V to }24\text{ V}$	0°C to 125°C			1.5			1.5	mA
	$I_O = 1\text{ mA to }40\text{ mA}$				0.2			0.1	

† Pulse-testing techniques maintain T_J as close to T_A as possible. Thermal effects must be taken into account separately. All characteristics are measured with a 0.33-μF capacitor across the input and a 0.1-μF capacitor across the output.

electrical characteristics at specified virtual junction temperature, $V_I = 14\text{ V}$, $I_O = 40\text{ mA}$ (unless otherwise noted)

PARAMETER	TEST CONDITIONS	T_J †	μA78L10AC			UNIT
			MIN	TYP	MAX	
Output voltage	$V_I = 13\text{ V to }25\text{ V}$, $I_O = 1\text{ mA to }40\text{ mA}$	25°C	9.6	10	10.4	V
		0°C to 125°C	9.5		10.5	
	$I_O = 1\text{ mA to }70\text{ mA}$	0°C to 125°C	9.5		10.5	
Input voltage regulation	$V_I = 13\text{ V to }25\text{ V}$	25°C		51	175	mV
	$V_I = 14\text{ V to }25\text{ V}$			42	125	
Ripple rejection	$V_I = 15\text{ V to }25\text{ V}$, $f = 120\text{ Hz}$	25°C	37	44		dB
Output voltage regulation	$I_O = 1\text{ mA to }100\text{ mA}$	25°C		20	90	mV
	$I_O = 1\text{ mA to }40\text{ mA}$			11	40	
Output noise voltage	$f = 10\text{ Hz to }100\text{ kHz}$	25°C		62		μV
Dropout voltage		25°C		1.7		V
Bias current		25°C		4.2	6	mA
		125°C			5.5	
Bias current change	$V_I = 14\text{ V to }25\text{ V}$	0°C to 125°C			1.5	mA
	$I_O = 1\text{ mA to }40\text{ mA}$				0.1	

† Pulse-testing techniques maintain T_J as close to T_A as possible. Thermal effects must be taken into account separately. All characteristics are measured with a 0.33-μF capacitor across the input and a 0.1-μF capacitor across the output.



μA78L00 SERIES POSITIVE-VOLTAGE REGULATORS

SLVS010R – JANUARY 1976 – REVISED OCTOBER 2003

electrical characteristics at specified virtual junction temperature, $V_I = 19\text{ V}$, $I_O = 40\text{ mA}$ (unless otherwise noted)

PARAMETER	TEST CONDITIONS	T_J †	μA78L12C			μA78L12AC			UNIT
			MIN	TYP	MAX	MIN	TYP	MAX	
Output voltage	$V_I = 14\text{ V to }27\text{ V}$, $I_O = 1\text{ mA to }40\text{ mA}$	25°C	11.1	12	12.9	11.5	12	12.5	V
		0°C to 125°C	10.8		13.2	11.4		12.6	
	$I_O = 1\text{ mA to }70\text{ mA}$	0°C to 125°C	10.8		13.2	11.4		12.6	
Input voltage regulation	$V_I = 14.5\text{ V to }27\text{ V}$	25°C		55	250		55	250	mV
	$V_I = 16\text{ V to }27\text{ V}$			49	200		49	200	
Ripple rejection	$V_I = 15\text{ V to }25\text{ V}$, $f = 120\text{ Hz}$	25°C	36	42		37	42	dB	
Output voltage regulation	$I_O = 1\text{ mA to }100\text{ mA}$	25°C		22	100		22	100	mV
	$I_O = 1\text{ mA to }40\text{ mA}$			13	50		13	50	
Output noise voltage	$f = 10\text{ Hz to }100\text{ kHz}$	25°C		70		70		μV	
Dropout voltage		25°C		1.7		1.7		V	
Bias current		25°C		4.3	6.5		4.3	6.5	mA
		125°C			6			6	
Bias current change	$V_I = 16\text{ V to }27\text{ V}$	0°C to 125°C			1.5			1.5	mA
	$I_O = 1\text{ mA to }40\text{ mA}$				0.2			0.1	

† Pulse-testing techniques maintain T_J as close to T_A as possible. Thermal effects must be taken into account separately. All characteristics are measured with a 0.33-μF capacitor across the input and a 0.1-μF capacitor across the output.

electrical characteristics at specified virtual junction temperature, $V_I = 23\text{ V}$, $I_O = 40\text{ mA}$ (unless otherwise noted)

PARAMETER	TEST CONDITIONS	T_J †	μA78L15C			μA78L15AC			UNIT
			MIN	TYP	MAX	MIN	TYP	MAX	
Output voltage	$V_I = 17.5\text{ V to }30\text{ V}$, $I_O = 1\text{ mA to }40\text{ mA}$	25°C	13.8	15	16.2	14.4	15	15.6	V
		0°C to 125°C	13.5		16.5	14.25		15.75	
	$I_O = 1\text{ mA to }70\text{ mA}$	0°C to 125°C	13.5		16.5	14.25		15.75	
Input voltage regulation	$V_I = 17.5\text{ V to }30\text{ V}$	25°C		65	300		65	300	mV
	$V_I = 20\text{ V to }30\text{ V}$			58	250		58	250	
Ripple rejection	$V_I = 18.5\text{ V to }28.5\text{ V}$, $f = 120\text{ Hz}$	25°C	33	39		34	39	dB	
Output voltage regulation	$I_O = 1\text{ mA to }100\text{ mA}$	25°C		25	150		25	150	mV
	$I_O = 1\text{ mA to }40\text{ mA}$			15	75		15	75	
Output noise voltage	$f = 10\text{ Hz to }100\text{ kHz}$	25°C		82		82		μV	
Dropout voltage		25°C		1.7		1.7		V	
Bias current		25°C		4.6	6.5		4.6	6.5	mA
		125°C			6			6	
Bias current change	$V_I = 10\text{ V to }30\text{ V}$	0°C to 125°C			1.5			1.5	mA
	$I_O = 1\text{ mA to }40\text{ mA}$				0.2			0.1	

† Pulse-testing techniques maintain T_J as close to T_A as possible. Thermal effects must be taken into account separately. All characteristics are measured with a 0.33-μF capacitor across the input and a 0.1-μF capacitor across the output.



APPLICATION INFORMATION

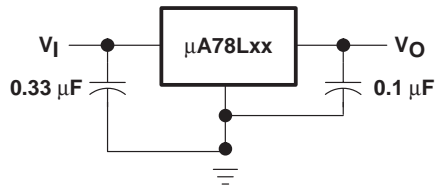


Figure 1. Fixed-Output Regulator

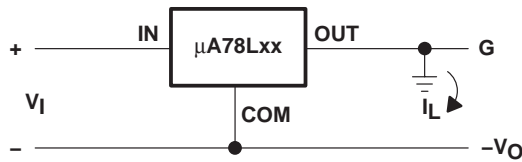


Figure 2. Positive Regulator in Negative Configuration (V_I Must Float)

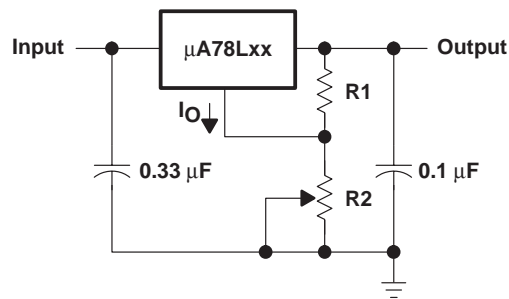


Figure 3. Adjustable-Output Regulator

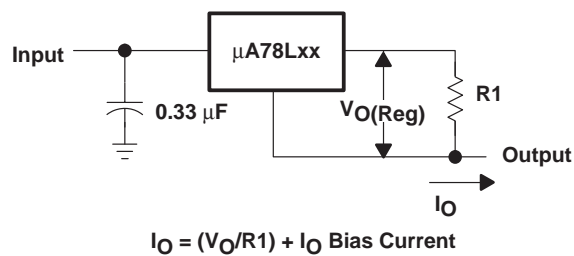


Figure 4. Current Regulator

APPLICATION INFORMATION

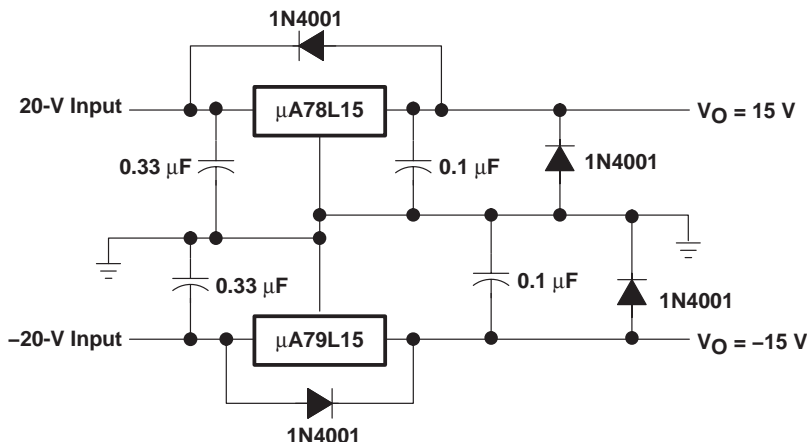


Figure 5. Regulated Dual Supply

operation with a load common to a voltage of opposite polarity

In many cases, a regulator powers a load that is not connected to ground, but instead, is connected to a voltage source of opposite polarity (e.g., operational amplifiers, level-shifting circuits, etc.). In these cases, a clamp diode should be connected to the regulator output as shown in Figure 6. This protects the regulator from output polarity reversals during startup and short-circuit operation.

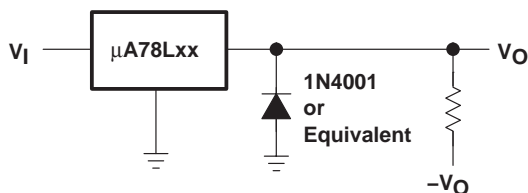


Figure 6. Output Polarity-Reversal-Protection Circuit

reverse-bias protection

Occasionally, the input voltage to the regulator can collapse faster than the output voltage. This can occur, for example, when the input supply is crowbarred during an output overvoltage condition. If the output voltage is greater than approximately 7 V, the emitter-base junction of the series-pass element (internal or external) could break down and be damaged. To prevent this, a diode shunt can be employed as shown in Figure 7.

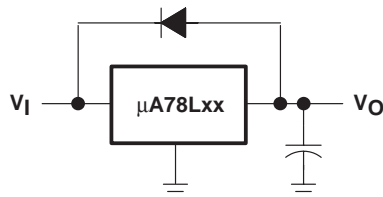
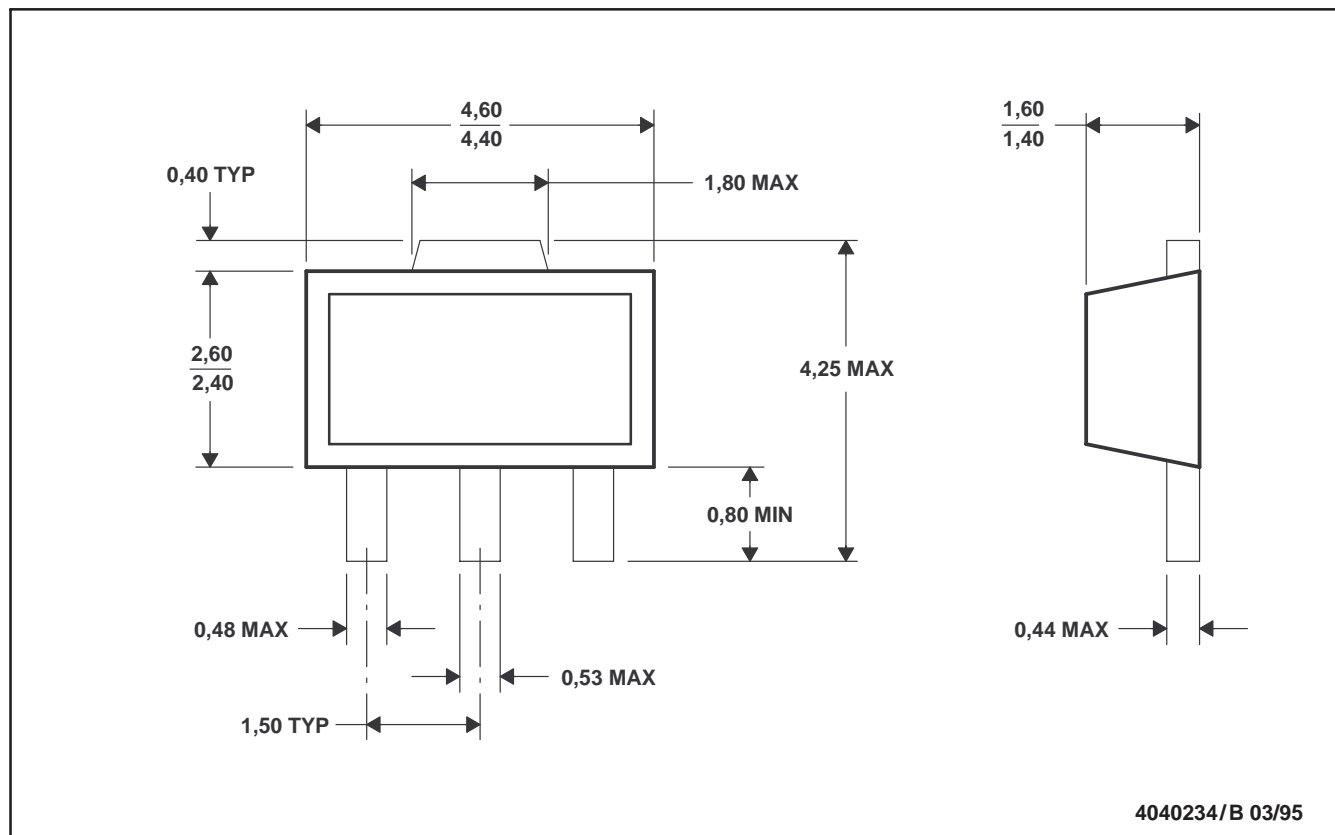


Figure 7. Reverse-Bias-Protection Circuit

PK (R-PSSO-F3)

PLASTIC SINGLE-IN-LINE PACKAGE



- NOTES: A. All linear dimensions are in millimeters.
 B. This drawing is subject to change without notice.
 C. The center lead is in electrical contact with the tab.

D (R-PDSO-G**)

PLASTIC SMALL-OUTLINE PACKAGE

8 PINS SHOWN



- NOTES: A. All linear dimensions are in inches (millimeters).
 B. This drawing is subject to change without notice.
 C. Body dimensions do not include mold flash or protrusion, not to exceed 0.006 (0,15).
 D. Falls within JEDEC MS-012

LP (O-PBCY-W3)

PLASTIC CYLINDRICAL PACKAGE



4040001-2/C 10/01

MECHANICAL DATA

MSOT002A – OCTOBER 1994 – REVISED NOVEMBER 2001

LP (O-PBCY-W3)

PLASTIC CYLINDRICAL PACKAGE



- NOTES:
- All linear dimensions are in inches (millimeters).
 - This drawing is subject to change without notice.
 - Tape and Reel information for the Format Lead Option package.

IMPORTANT NOTICE

Texas Instruments Incorporated and its subsidiaries (TI) reserve the right to make corrections, modifications, enhancements, improvements, and other changes to its products and services at any time and to discontinue any product or service without notice. Customers should obtain the latest relevant information before placing orders and should verify that such information is current and complete. All products are sold subject to TI's terms and conditions of sale supplied at the time of order acknowledgment.

TI warrants performance of its hardware products to the specifications applicable at the time of sale in accordance with TI's standard warranty. Testing and other quality control techniques are used to the extent TI deems necessary to support this warranty. Except where mandated by government requirements, testing of all parameters of each product is not necessarily performed.

TI assumes no liability for applications assistance or customer product design. Customers are responsible for their products and applications using TI components. To minimize the risks associated with customer products and applications, customers should provide adequate design and operating safeguards.

TI does not warrant or represent that any license, either express or implied, is granted under any TI patent right, copyright, mask work right, or other TI intellectual property right relating to any combination, machine, or process in which TI products or services are used. Information published by TI regarding third-party products or services does not constitute a license from TI to use such products or services or a warranty or endorsement thereof. Use of such information may require a license from a third party under the patents or other intellectual property of the third party, or a license from TI under the patents or other intellectual property of TI.

Reproduction of information in TI data books or data sheets is permissible only if reproduction is without alteration and is accompanied by all associated warranties, conditions, limitations, and notices. Reproduction of this information with alteration is an unfair and deceptive business practice. TI is not responsible or liable for such altered documentation.

Resale of TI products or services with statements different from or beyond the parameters stated by TI for that product or service voids all express and any implied warranties for the associated TI product or service and is an unfair and deceptive business practice. TI is not responsible or liable for any such statements.

Following are URLs where you can obtain information on other Texas Instruments products and application solutions:

Products		Applications	
Amplifiers	amplifier.ti.com	Audio	www.ti.com/audio
Data Converters	dataconverter.ti.com	Automotive	www.ti.com/automotive
DSP	dsp.ti.com	Broadband	www.ti.com/broadband
Interface	interface.ti.com	Digital Control	www.ti.com/digitalcontrol
Logic	logic.ti.com	Military	www.ti.com/military
Power Mgmt	power.ti.com	Optical Networking	www.ti.com/opticalnetwork
Microcontrollers	microcontroller.ti.com	Security	www.ti.com/security
		Telephony	www.ti.com/telephony
		Video & Imaging	www.ti.com/video
		Wireless	www.ti.com/wireless

Mailing Address: Texas Instruments
Post Office Box 655303 Dallas, Texas 75265

Copyright © 2003, Texas Instruments Incorporated