

LSF010XEVM-001

This document is the user's guide for the LSF010XEVM-001 Evaluation Module (EVM). The EVM allows for evaluation of the different ways that the LSF devices can be used to translate voltages between 1 V and 5.5 V.

Contents

1	About This Manual.....	2
2	Information About Cautions and Warnings.....	2
3	Items Required for Operation	2
4	Introduction	2
5	Setup	3
5.1	General Rules for Good Signal Integrity	4
6	Schematic.....	6
6.1	Board Schematics and Pin Layout	6
7	B Board Layout.....	9
8	Bill of Materials (BOM).....	10

List of Figures

1	EVM Board	3
2	Pull-up Resistors on VAPU and VBPU	5
3	Open Collector Input Control Circuit	5
4	LSF0101 Schematic	6
5	LSF0102 Schematic	7
6	LSF0108 Schematic	8
7	PCB Layer 1 (Top Layer)	9
8	PCB (Bottom Layer)	9

List of Tables

1	Device and Package Configurations	3
2	LSF0101	6
3	LSF0102	7
4	LSF0108	8
5	Bill of Materials	10

1 About This Manual

This user's guide describes the LSF010XEVM-001. This guide contains an introduction, setup instructions, the EVM schematic, top and bottom printed-circuit-board (PCB) layouts, and a bill of materials (BOM).

2 Information About Cautions and Warnings

The information in a caution or a warning is provided for your protection. Read each caution and warning carefully.



CAUTION

This EVM contains components that can potentially be damaged by electrostatic discharge. Always transport and store the EVM in its supplied ESD bag when not in use. Handle using an antistatic wristband. Operate on an antistatic work surface. For more information on proper handling, see the *Electrostatic Discharge* (ESD) application note ([SSYA008](#)).

3 Items Required for Operation

- Volt meter
- Oscilloscope
- Square wave signal source

4 Introduction

The LSF010XEVM-001 is an EVM board that contains 3 LSF voltage clamp translators: 1bit, 2-bit and 8 bit. These translators are bi-directional and do not require a control pin. They can except voltages up to 5.5 V on the inputs and the output will be equal to the VrefA voltage. Once the output reaches the VrefA level it can then be pulled to any other level between VrefA and 5.5 V. When using multi-bit LSF devices you can have many different levels of voltage translation on the same part. They can translate at medium to high speeds up to 100 MHz and cover these common voltage nodes and anything in between (1 V, 1.2 V, 1.5 V, 1.8 V, 2.5 V, 3.3 V, and 5 V). These devices act like a switch when the input is between GND and Vref A and will have FET switch type characteristics such as speeds up to 200 MHz when translating down. Then the I/Os can be pulled up to any voltage between VrefA and 5.5 V. The maximum speed will then be limited by the size of the pull-up resistor and speeds up to 100 MHz can be achieved when translating up.

The LSF010XEVM-001 EVM allows simplified evaluation and prototyping without the need for full board development. This EVM provides peripheral header style pads for probing and signal connection to each device pin and can be plugged into any prototype board with DIP header spacing. The boards are scored so they can easily be broken apart.

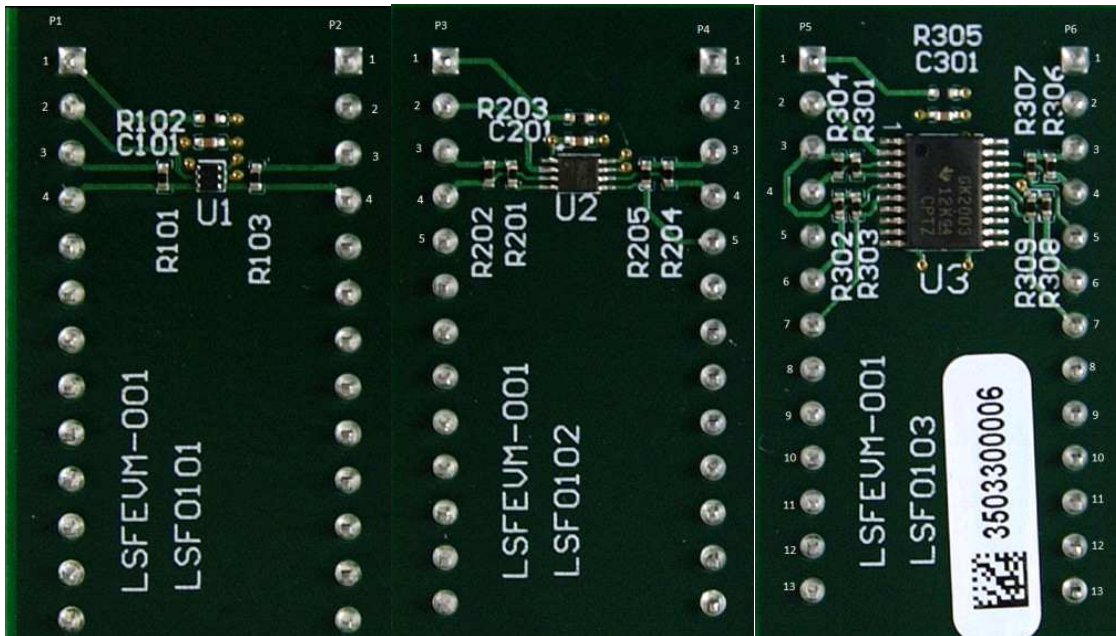


Figure 1. EVM Board

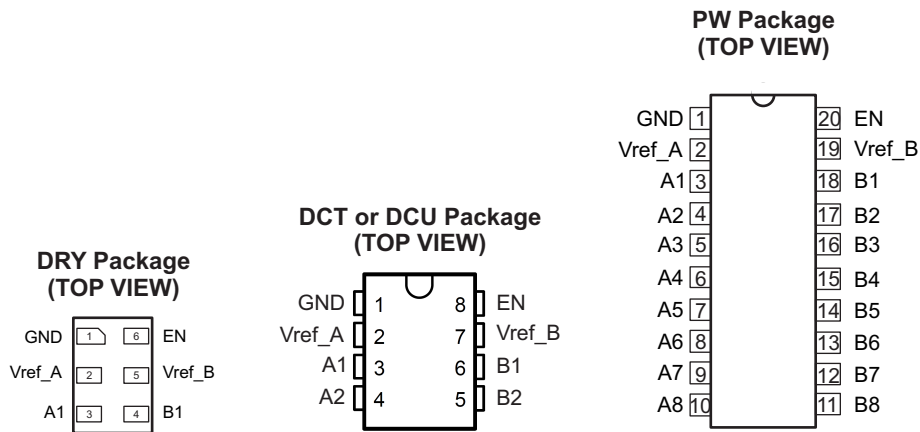


Table 1. Device and Package Configurations

LSFEVM001	ICs	Package
U1	LSF0101DRY	SON
U2	LSF0102DCU	US8
U3	LSF0108PW	TSSOP

5 Setup

This section describes the setup and connections of the EVM boards and describes how to set up the boards for voltage translations in either up or down direction.

5.1 General Rules for Good Signal Integrity

Ensure that Vref_A , Vref_B and GND are all connected and configured properly. There should be a bypass capacitor on Vref_B (0.1 μ F). When connecting signals, minimize the connection length and keep GND leads short when probing. This will ensure minimal capacitive, resistive and inductive loading caused by the connection and connector. For more device information please see the LSF0101, LSF0102, and LSF0108 device datasheet.

5.1.1 VCC and GND Connections

Vref_B is considered VCC or device power. It will need to be 1V greater than Vref_A. Vref_A will be the lowest voltage that the part can translate down to.

GND is connected to pin 1 of P2 (LSF0101), Pin 1 of P4 (LSF0102), and Pin 1 of P6 (LSF0108). See connector pin locations in [Figure 1](#) .

5.1.2 Translation Connections

On each board there will be a VAPU and a VBPU connection. These are the pull-up voltages that correspond to the voltage being translated. These pull-up voltages must be between or equal to VrefA and VrefB.

Some of the I/O pins on the LSF0108 will not have pull-up resistors. This will allow the use of different pull-up resistor values and voltages on the A or B side. The A and B pins can be pulled to different levels on each pin demonstrating that the part can translate many different voltage levels at the same time. (The pull-up resistors installed on the boards are 301 Ω)

The following are examples of how the parts can be set up:

Each of these tests can be performed on any of the boards.

NOTE: The LSF0101 and LSF0102 have all their pins connected to pull-up resistors on the EVM. The A and B pins without pull-up resistors on the LSF0108 are the only pins that can be pulled down.

Test examples

There can be multiple types of tests performed on each board. The drawing shows A as the input and B as the output; however, it can work either direction. The output on Aside or Bside will be limited to VrefA for a high level. Either side can then be pulled to any level between VrefA and 5.5 V. This allows up translation, down translation or any combination. The signals can go in both directions without the need for a direction pin.

Example 1 no pull-up

With no pull-up on either side (don't connect VAPU or VBPU), you will be able to translate down to VrefA going either direction. The input can be 0 V to 5.5 V and the output will be 0 V to VrefA. Either Apins or Bpins can be the input. This method can be used for down translation.

Example 2 with pull-up

By connecting VAPU or VBPU, you can pull the A or B side to any level between VrefA and 5.5 V. This method can be used for up translation. By connecting the outputs to multiple pull-up levels you are able to translate to a variety of different voltage nodes using a single part. Testing the part using multiple pull-up voltages can only be done on the LSF0108. The first four I/O's will be tied to the same pull-up voltage on the EVM. (VAPU or VBPU) The remaining four I/O's can be connected to external pullp resistors and different pull-up voltages.

Example 3 with pull-down

A pull-down to GND can also be used which will give the output value of VreA. This is sometime used to help with noise. If VREFA is the voltage that you are translating to then the pull-up can be tied to VREFA for another way to reduce noise.

Example 4 with open drain part (Figure 3)

This configuration allows you to control the input level with Vref. Using an open drain part on the input side will allow VrefA to control the input level. VBPU will control the output level of the LSF. Do not connect anything to VAPU. You can put in a 0 V to 5 V signal into the open drain part, a 2 V signal on Vref, and a 3.3 V signal on VBPU.

This will then translate from 5 V to 2 V on Abus and then to 3.3 V on B bus.

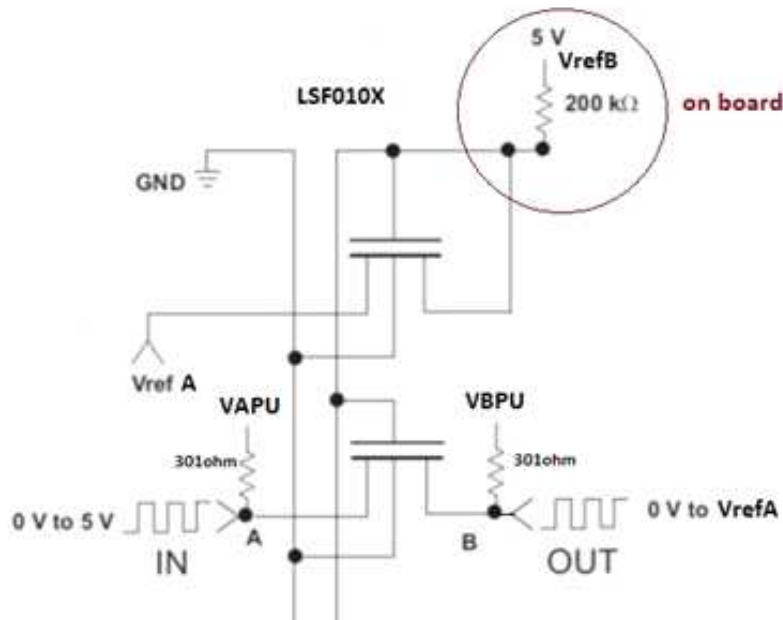


Figure 2. Pull-up Resistors on VAPU and VBPU

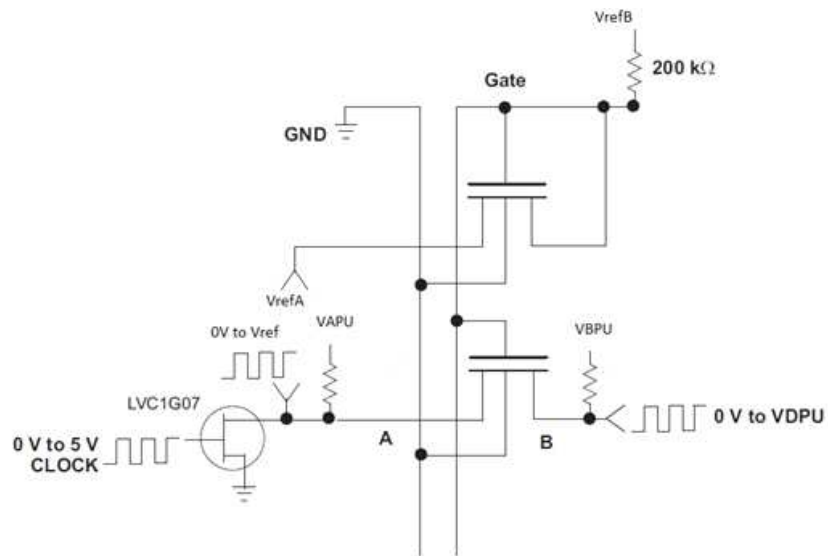


Figure 3. Open Collector Input Control Circuit

6 Schematic

The circuit diagrams below show the schematics for the LSF010XEVM-001:

6.1 Board Schematics and Pin Layout

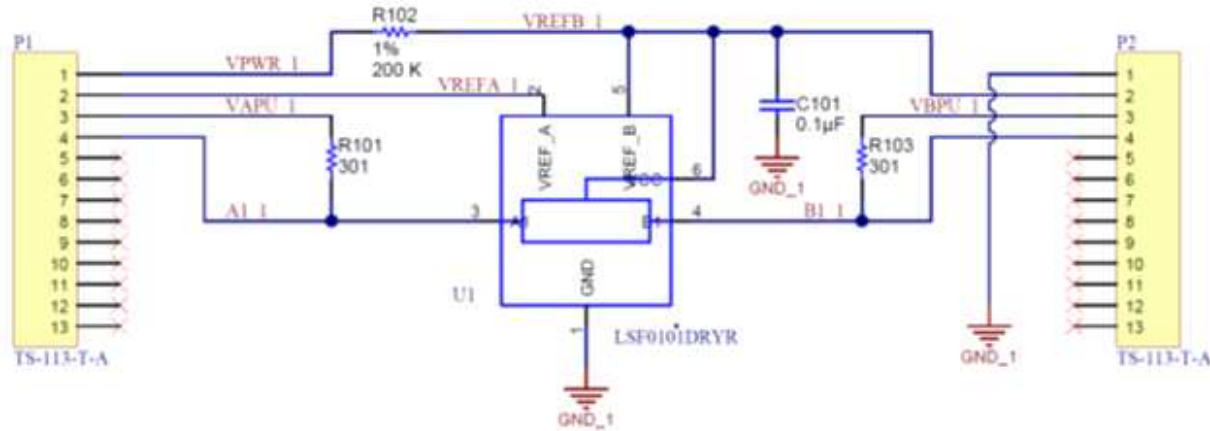


Figure 4. LSF0101 Schematic

Table 2. LSF0101

P1	Pin Out	P2	Pin Out
1	Power pin	1	GND
2	Vref_A	2	Vref_B Power pin
3	VAPU A side pull-up	3	VBPU B side pull-up
4	A1 signal	4	B1 signal
5	NC	5	NC
6	NC	6	NC
7	NC	7	NC
8	NC	8	NC
9	NC	9	NC
10	NC	10	NC
11	NC	11	NC
12	NC	12	NC
13	NC	13	NC

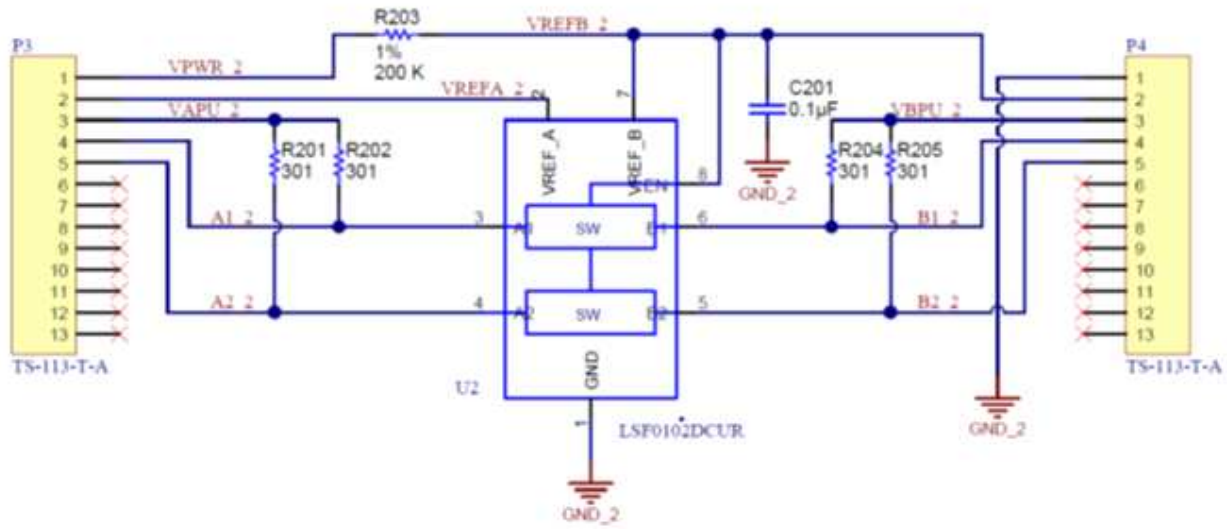


Figure 5. LSF0102 Schematic

Table 3. LSF0102

P3	Pin out	P4	
1	Pwr-Vref_B	1	GND
2	Vref_A	2	Vref_B Power pin
3	VAPU A side pull-up	3	VBPU B side pull-up
4	A1 signal	4	B1 signal
5	A2 signal	5	B2 signal
6	NC	6	NC
7	NC	7	NC
8	NC	8	NC
9	NC	9	NC
10	NC	10	NC
11	NC	11	NC
12	NC	12	NC
13	NC	13	NC

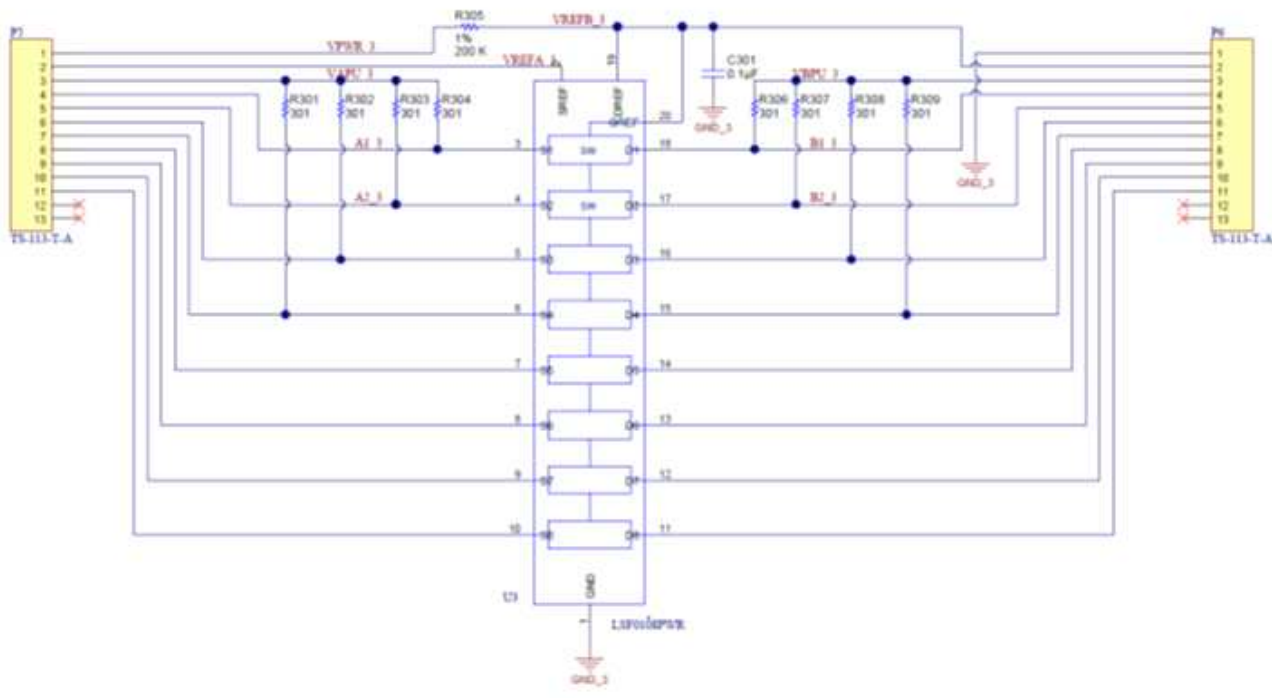


Figure 6. LSF0108 Schematic

Table 4. LSF0108

P5	Pin Out	P6	Pin Out
1	Pwr-Vref_B	1	GND
2	Vref_A	2	Vref_B Power pin
3	VAPU A side pull-up	3	VBPU B side pull-up
4	A1 signal	4	B1 signal
5	A2 signal (Not connected) ⁽¹⁾	5	B2 signal
6	A3 signal	6	B3 signal
7	A4 signal	7	B4 signal
8	A5 signal	8	A5 signal
9	A6 signal	9	A6 signal
10	A7 signal	10	A7 signal
11	A8 signal	11	A8 signal
12	NC	12	NC
13	NC	13	NC

⁽¹⁾ Note pin 5 on P5 of the LSF0108 board is not connected.

7 B Board Layout

Figure 7 and Figure 8 illustrate the PCB layout.

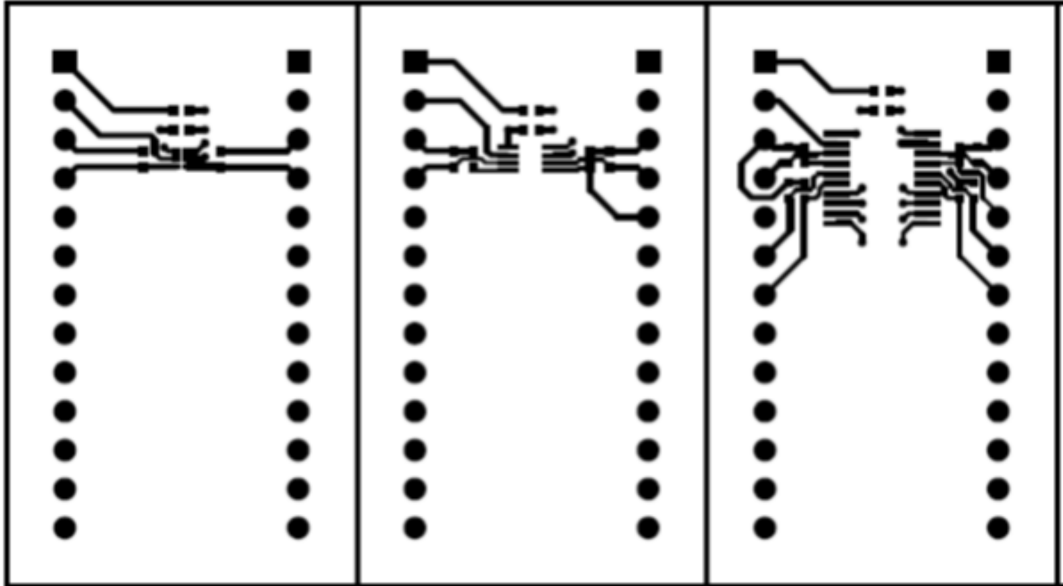


Figure 7. PCB Layer 1 (Top Layer)

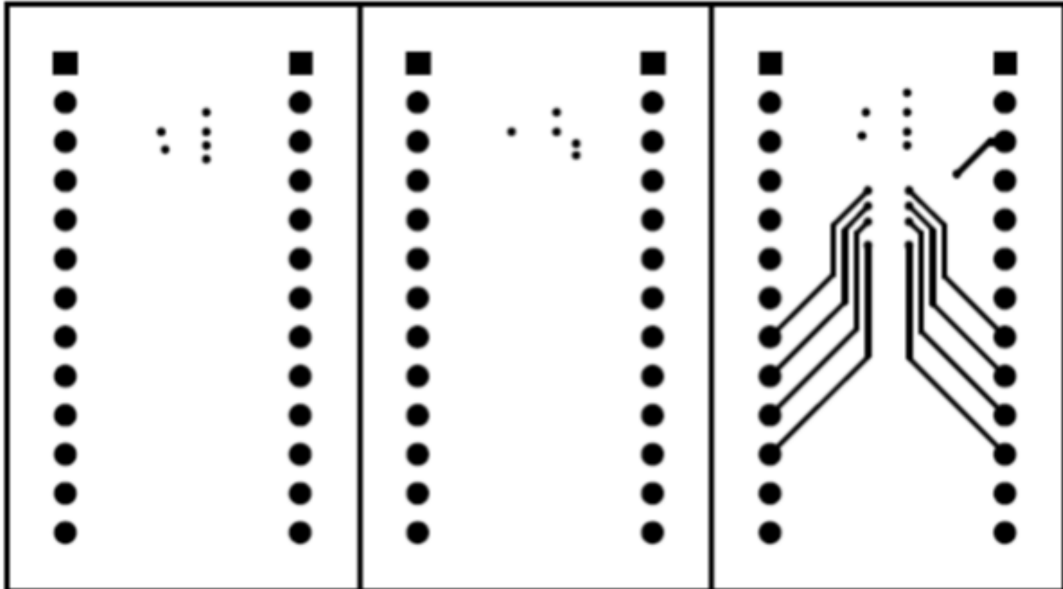


Figure 8. PCB (Bottom Layer)

8 Bill of Materials (BOM)

Table 5 lists the BOM for the LSF EVM.

Table 5. Bill of Materials

Designator	Quantity	Value	Description	Package Reference	Part Number	Manufacturer
C101, C201, C301	3	0.1uF	CAP, CERM, 0.1uF, 50V, +/-10%, COG/NP0, 0402	0402	C1005X7R1H104K	TDK
P1, P2, P3, P4, P5, P6	6		Header, 13-Pin		TS-113-T-A	Samtec
R101, R103, R201, R202, R204, R205, R301, R302, R303, R304, R306, R307, R308, R309	14	301	RES, 301 ohm, 1%, 0.063W, 0402	0402	CRCW0402301RFKED	Vishay-Dale
R102, R203, R305	3	200 K	RESISTOR, 0402, 200K, 1%	0402	CRCW0402200KFKED	Vishay-Dale
U1	1	LSF0101D RYR	IC TRANSLATOR BIDIR 6SON		LSF0101DRYR	Texas Instruments
U2	1	LSF0102D CUR	IC LEVEL TRANSLATOR BIDIR US8		LSF0102DCUR	Texas Instruments
U3	1	LSF0108P WR	IC LEVEL TRANSLATOR BIDIR		LSF0108PWR	Texas Instruments

IMPORTANT NOTICE

Texas Instruments Incorporated and its subsidiaries (TI) reserve the right to make corrections, enhancements, improvements and other changes to its semiconductor products and services per JESD46, latest issue, and to discontinue any product or service per JESD48, latest issue. Buyers should obtain the latest relevant information before placing orders and should verify that such information is current and complete. All semiconductor products (also referred to herein as "components") are sold subject to TI's terms and conditions of sale supplied at the time of order acknowledgment.

TI warrants performance of its components to the specifications applicable at the time of sale, in accordance with the warranty in TI's terms and conditions of sale of semiconductor products. Testing and other quality control techniques are used to the extent TI deems necessary to support this warranty. Except where mandated by applicable law, testing of all parameters of each component is not necessarily performed.

TI assumes no liability for applications assistance or the design of Buyers' products. Buyers are responsible for their products and applications using TI components. To minimize the risks associated with Buyers' products and applications, Buyers should provide adequate design and operating safeguards.

TI does not warrant or represent that any license, either express or implied, is granted under any patent right, copyright, mask work right, or other intellectual property right relating to any combination, machine, or process in which TI components or services are used. Information published by TI regarding third-party products or services does not constitute a license to use such products or services or a warranty or endorsement thereof. Use of such information may require a license from a third party under the patents or other intellectual property of the third party, or a license from TI under the patents or other intellectual property of TI.

Reproduction of significant portions of TI information in TI data books or data sheets is permissible only if reproduction is without alteration and is accompanied by all associated warranties, conditions, limitations, and notices. TI is not responsible or liable for such altered documentation. Information of third parties may be subject to additional restrictions.

Resale of TI components or services with statements different from or beyond the parameters stated by TI for that component or service voids all express and any implied warranties for the associated TI component or service and is an unfair and deceptive business practice. TI is not responsible or liable for any such statements.

Buyer acknowledges and agrees that it is solely responsible for compliance with all legal, regulatory and safety-related requirements concerning its products, and any use of TI components in its applications, notwithstanding any applications-related information or support that may be provided by TI. Buyer represents and agrees that it has all the necessary expertise to create and implement safeguards which anticipate dangerous consequences of failures, monitor failures and their consequences, lessen the likelihood of failures that might cause harm and take appropriate remedial actions. Buyer will fully indemnify TI and its representatives against any damages arising out of the use of any TI components in safety-critical applications.

In some cases, TI components may be promoted specifically to facilitate safety-related applications. With such components, TI's goal is to help enable customers to design and create their own end-product solutions that meet applicable functional safety standards and requirements. Nonetheless, such components are subject to these terms.

No TI components are authorized for use in FDA Class III (or similar life-critical medical equipment) unless authorized officers of the parties have executed a special agreement specifically governing such use.

Only those TI components which TI has specifically designated as military grade or "enhanced plastic" are designed and intended for use in military/aerospace applications or environments. Buyer acknowledges and agrees that any military or aerospace use of TI components which have **not** been so designated is solely at the Buyer's risk, and that Buyer is solely responsible for compliance with all legal and regulatory requirements in connection with such use.

TI has specifically designated certain components as meeting ISO/TS16949 requirements, mainly for automotive use. In any case of use of non-designated products, TI will not be responsible for any failure to meet ISO/TS16949.

Products

Audio	www.ti.com/audio
Amplifiers	amplifier.ti.com
Data Converters	dataconverter.ti.com
DLP® Products	www.dlp.com
DSP	dsp.ti.com
Clocks and Timers	www.ti.com/clocks
Interface	interface.ti.com
Logic	logic.ti.com
Power Mgmt	power.ti.com
Microcontrollers	microcontroller.ti.com
RFID	www.ti-rfid.com
OMAP Applications Processors	www.ti.com/omap
Wireless Connectivity	www.ti.com/wirelessconnectivity

Applications

Automotive and Transportation	www.ti.com/automotive
Communications and Telecom	www.ti.com/communications
Computers and Peripherals	www.ti.com/computers
Consumer Electronics	www.ti.com/consumer-apps
Energy and Lighting	www.ti.com/energy
Industrial	www.ti.com/industrial
Medical	www.ti.com/medical
Security	www.ti.com/security
Space, Avionics and Defense	www.ti.com/space-avionics-defense
Video and Imaging	www.ti.com/video

TI E2E Community

e2e.ti.com