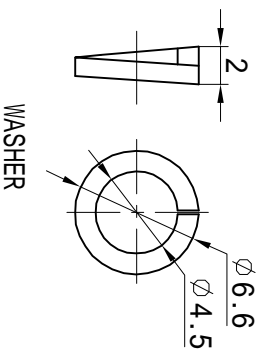
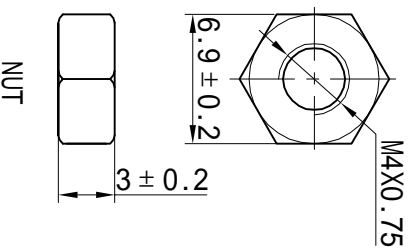
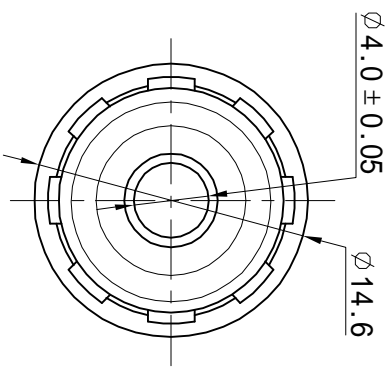
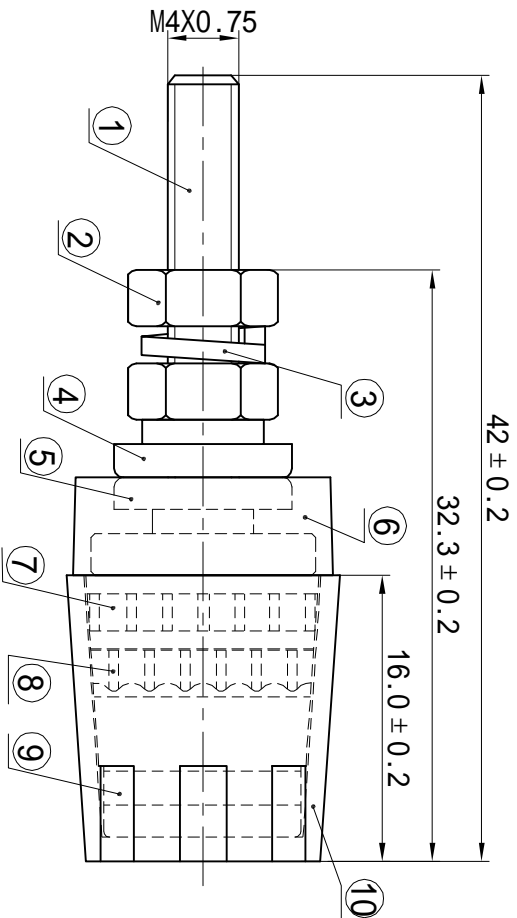


非受控

| ALLOWANCE |        |
|-----------|--------|
| UNDER 3   | ± 0.1  |
| 3 TO 6    | ± 0.15 |
| 6 TO 15   | ± 0.2  |
| 15 TO 50  | ± 0.25 |
| 50 OVER   | ± 0.3  |



|     |                 |          |     |           |
|-----|-----------------|----------|-----|-----------|
| 10  | SOCKET -B       | PMMA     | 1   | WHITE     |
| 9   | SHRINKABLE TUBE | PC       | 1   | RED       |
| 8   | SOCKET -A       | BRASS    | 1   | AU PLATED |
| 7   | WASHER -D       | BRASS    | 1   | AU PLATED |
| 6   | HOUSE           | PMMA     | 1   | WHITE     |
| 5   | WASHER -C       | PC       | 1   | RED       |
| 4   | WASHER -B       | PC       | 1   | RED       |
| 3   | WASHER -A       | BRASS    | 1   | AU PLATED |
| 2   | NUT             | BRASS    | 2   | AU PLATED |
| 1   | SHAFT           | BRASS    | 1   | AU PLATED |
| NO: | PART NAME       | MATERIAL | QTY | FINISHING |

|                                     |             |               |
|-------------------------------------|-------------|---------------|
| MODEL NO : WP1-3                    | ALLOWANCE : | DRAWN BY :    |
| TYPE : WP PUSH TERMINAL             | UNIT : mm   | CHECKED BY :  |
| MATERIAL NO :                       | SCALE :     | APPROVED BY : |
| PROJECTION                          |             |               |
|                                     |             |               |
| ZHENGWEI INDUSTRY (HK) CO., LIMITED |             |               |