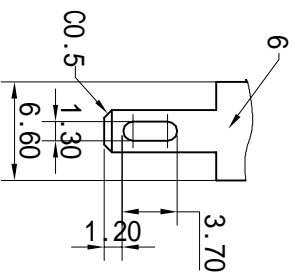
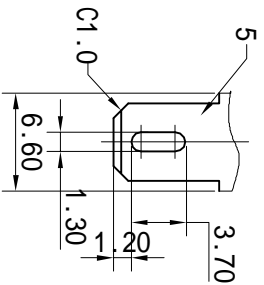
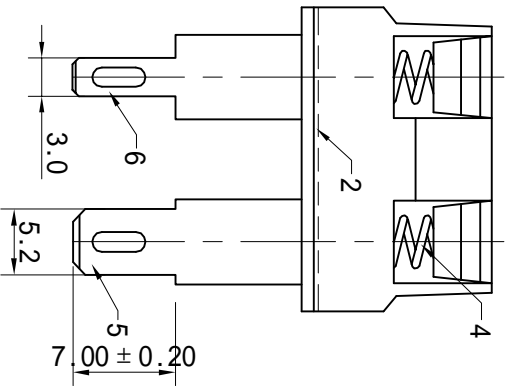
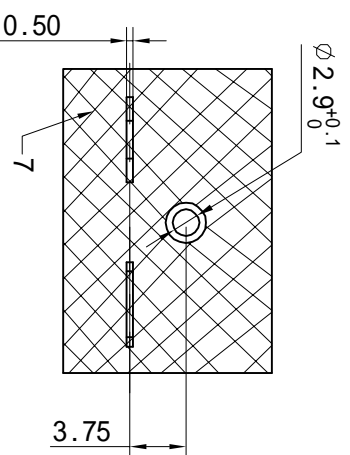
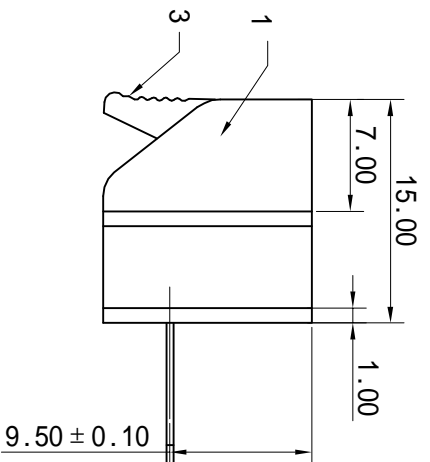
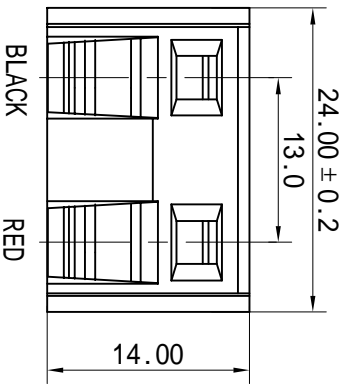


NO.	PARTICLR	BY	DATE
REVISIONS			



7	COVER-FOAM	1mmFOAM	1	BLACK
6	TERMINAL-B	H65-0.5Y	1	Cu-Sn PLATED
5	TERMINAL-A	H65-0.5Y	1	Cu-Sn PLATED
4	SPRING	72A- $\phi$ 0.55	2	BLACK (Pine)
3	KNOB	ABS 94HB~(VIRGIN~)	2	BLACK/GRAY
2	COVER	ABS 94HB~(VIRGIN~)	1	BLACK
1	HOUSE	ABS 94HB~(VIRGIN~)	1	BLACK

MODEL NO : WP2-8B	TOLERANCE : ±0.2	DRAWN BY :
TYPE : WP PUSH TERMINAL	UNIT : mm	CHECKED BY :
MATERIAL NO :	SCALE : NO SCALE	APPROVED BY :



ZHENGWEI INDUSTRY (HK) CO., LIMITED