



Shenzhen Yesok Electronics Power Co., Ltd.

Branch: HONGKONG YESOK ELECTRONICS POWER CO., LIMITED.


Add: A Building, Lian Tang Keng Industrial Park, Baotian 2nd Road, Xixiang, Baoan, Shenzhen Guangdong, China.

Tel: 86-755-61113030 **Fax:** 86-755-61113278 **Email:** sales@yyoss.cn

Website: www.yyoss.cn www.yesokpower.com www.yyoss.com.cn

60W Single output waterproof led driver (Constant Voltage Type)

YSV-60 Series

	Features
	1. 3 years warranty
	2. High efficiency 91%
	3. Economical design
	4. Protections: Short-circuit /Over-load /Over-voltage /Over-temperature / Lightning protection (Alternative)
	5. Working temperature : -40℃ ~ + 70℃
	6. IP67 design
	7. 2~3 times burn-in tests (+50℃/-40℃ at full load with over 14 hours)
8. Smaller size is available	

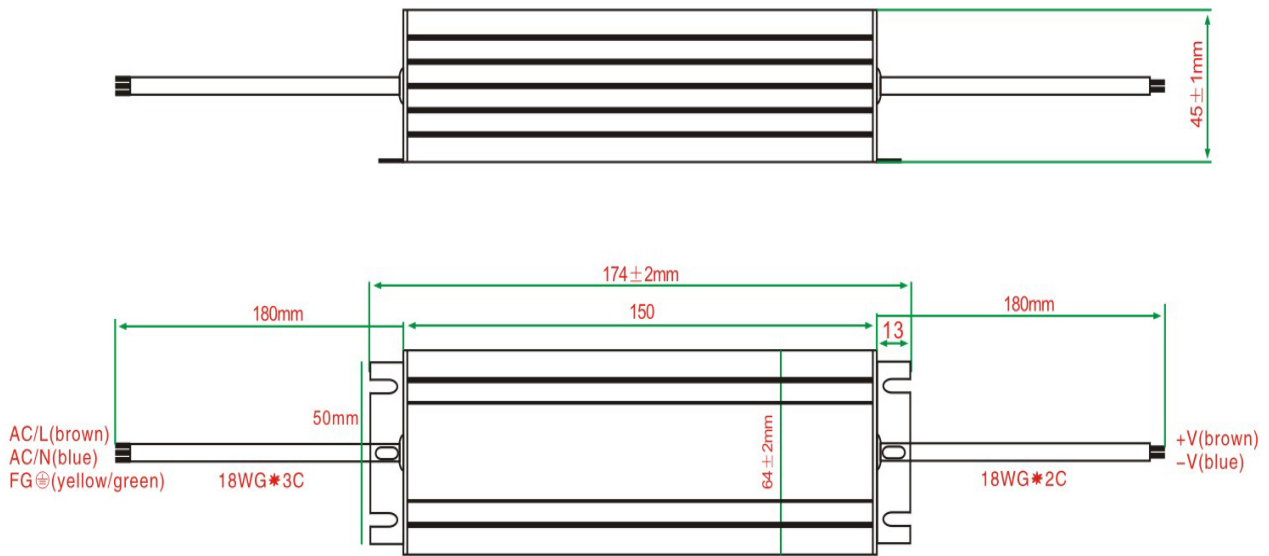
Application

Led strips, electronics display screen, outdoor instruments and machines.....

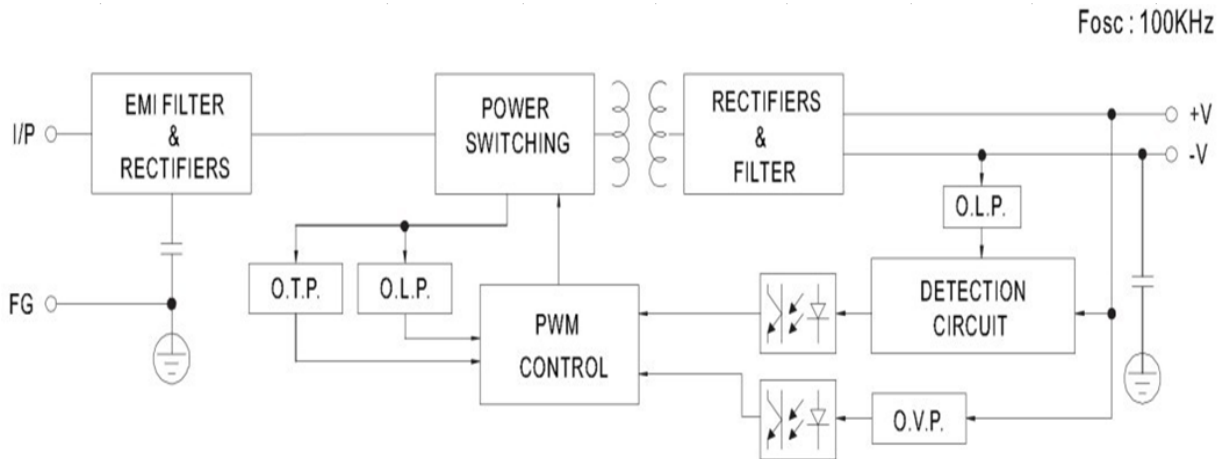
Specification Sheet

Model	YSV-60 Series	YSV-60-12	YSV-60-24	YSV-60-36	YSV-60-48	
Output	Rated Voltage (Note 1)	12VDC	24VDC	36VDC	48VDC	
	Output Current Range	0~5.0A	0~2.5A	0~1.66A	0~1.25A	
	Rated Power (Max)	60W	60W	61W	60W	
	Ripple and Noise (Max)(Note 2)	120mVp-p	150mVp-p	200mVp-p	250mVp-p	
	Voltage Tolerance	±3.0%	±3.0%	±3.0%	±3.0%	
	Line Regulation	±1%	±1%	±1%	±1%	
	Load Regulation	±1.0%	±1.0%	±1.0%	±1.0%	
	Set-up, Rise Time	1500ms 80ms/230VAC, 2000ms 80ms/110VAC				
Input	Hold-up Time	50ms/230VAC at full load, 25ms/110VAC at full load				
	Voltage Range	170~264VAC / 90~132VAC / 90~264VAC				
	Frequency Range	47~63Hz				
	Efficiency (Note 3)	85.0%	87.5%	89.0%	91.0%	
	AC Current	0.75A ~ 0.25A				
	Inrush Current	Cold Start at 45A/230VAC, Input at Ta: 25℃ cold start.				
Protection	Leakage Current	< 0.5mA at 230VAC, 60Hz Input				
	Over-Voltage	110% ~ 130%				
	Over-load	130% ~ 150%				
	Short Circuit	Hiccup mode, recovers automatically after faulty problem is removed				
	Lightning Protection (Alternative)	Gas discharge tube automatically open to discharge, repower on to recover				
Environment	Over-temperature	85℃±10℃ (Shut down O/P voltage, re-power on to recover)				
	Working Environment (Note 4)	-40℃ ~ +70℃				
	Working Humidity	20~90% RH non-condensing				
	Storage Environment & Humidity	-40℃~+80℃				
	TEMP. Coefficient	±0.05%/℃ (0~50℃)				
Safety & EMC	Vibration	10 ~ 500Hz, 2G 10min./cycle, period for 60min. each along X, Y, Z axes				
	Safety Standards	EN-61347-1, EN61347-2-13, IP67, ROHS Tests, Design refer to UL8750				
	Withstand Voltage	I/P-O/P: 3KVAC, IP-FG:1.5KVAC, OP-FG: 500VAC				
	Isolation Resistance	I/P-O/P IP-FG OP-FG: 100M Ohms/500VDC / 25℃ / 70% RH				
	EMC Emission	Compliance to EN55015: 2007, EN61547:1995+A1:2000; EN61000-3-2: 2006; EN61000-3-3: 2008				
Others	EMC Immunity	Compliance to EN55015 EN61547 EN61000-4-2,3,4,5,6,8,11				
	Life Span (Note 5)	≥50000Hrs (25~30℃)				
	No Load power consumption	≤1.5W				
	MTBF (Note 6)	250K hrs min, MIL-HDBK-217F (25℃)				
	Dimension (Note 7)	174*64*45 mm / 155*68.5*40mm (L*W*H)				
	Packing (Note 8)	18pcs/carton				
Notes	Weight	0.80Kg/pcs				
	All parameter are measured at normal temperature (+25 ~ +28℃)					
	1. The rated voltage can be customized, such as 18V/27V... can be customized					
	2. Ripple & Noise are measured at 20KHz of bandwidth by using a 12" twisted pair-wire terminated with a 0.1 uf & 47uf parallel capacitor (at full load)					
	3. The efficiency measured at Max output voltage, and 230VAC with full load, if with 110VAC the efficiency will be lowered 1% ~ 2%; Working 1~2 hours, efficiency will be higher 0.5% ~ 1% than the initial stage					
	4. This series can work -45℃ (at full load), if need related parameter contact us.					
	5. This measured at 120VAC, 80% ~85% load with environmental temperature about +25℃~+30℃, the outer housing temperature with +55℃ or so.					
	6. This measured at 120VAC, 80% ~85% load with environmental temperature about +25℃~+30℃, the outer housing temperature with +55℃ or so.					
7. More details see the following mechanical draft.						
8. The 18pcs packing method is not suitable for led drivers with waterproof connector						

Mechanical Specification

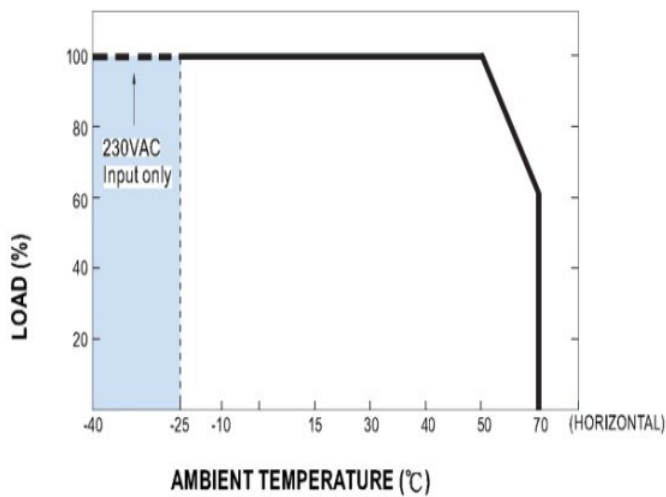


Block Diagram

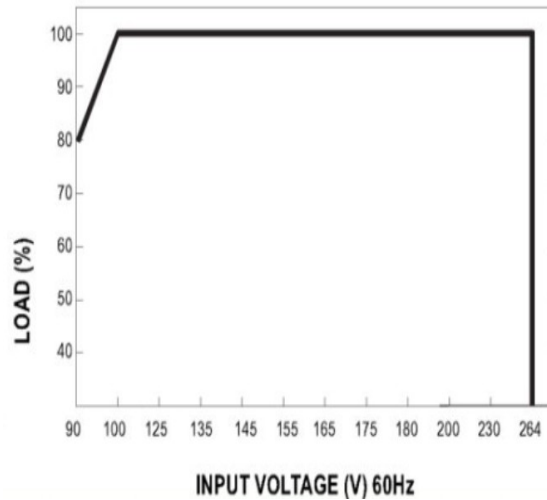


Derating Curve

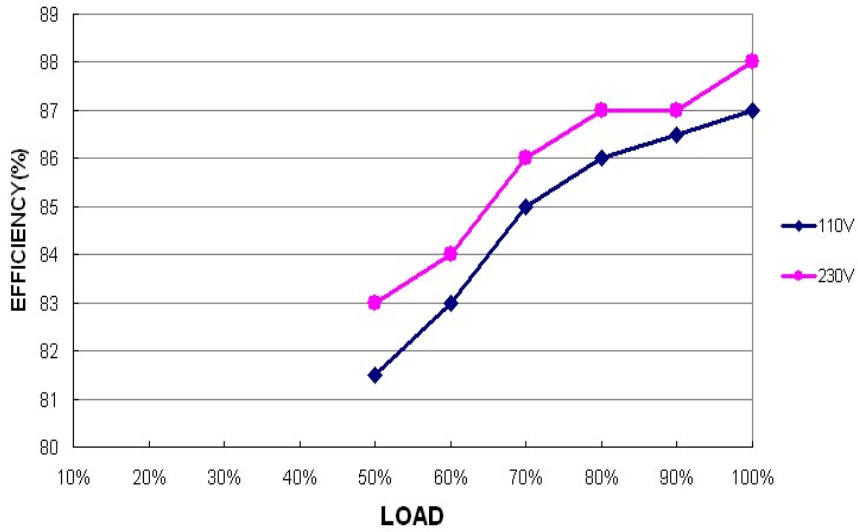
This series can be work normally -45°C



Static Characteristics

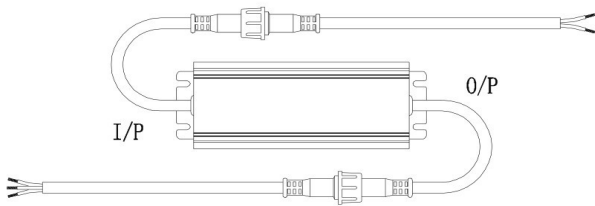


Efficiency & Load of (30V) (110VAC / 230VAC)



Waterproof connector (Alternative or customized)

The waterproof connector is usually used to easily assemble and replace in projects. It has waterproof performance when in use.



The type of connector can be customized or customer can independently buy in the market

