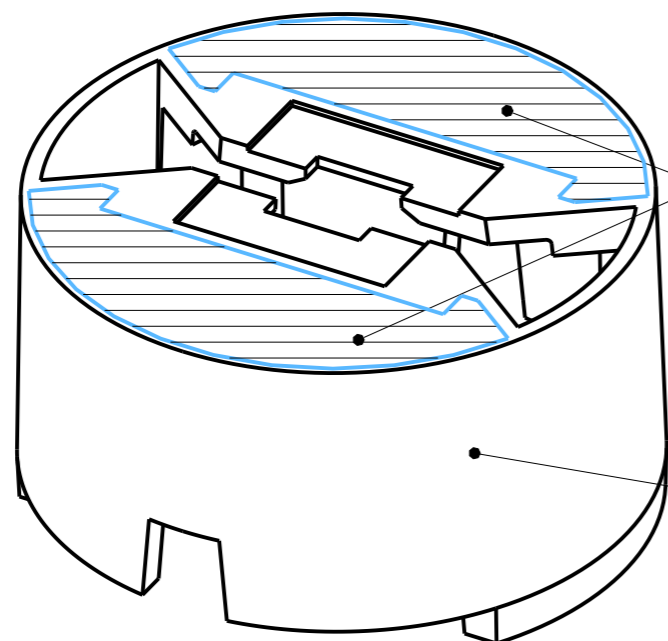
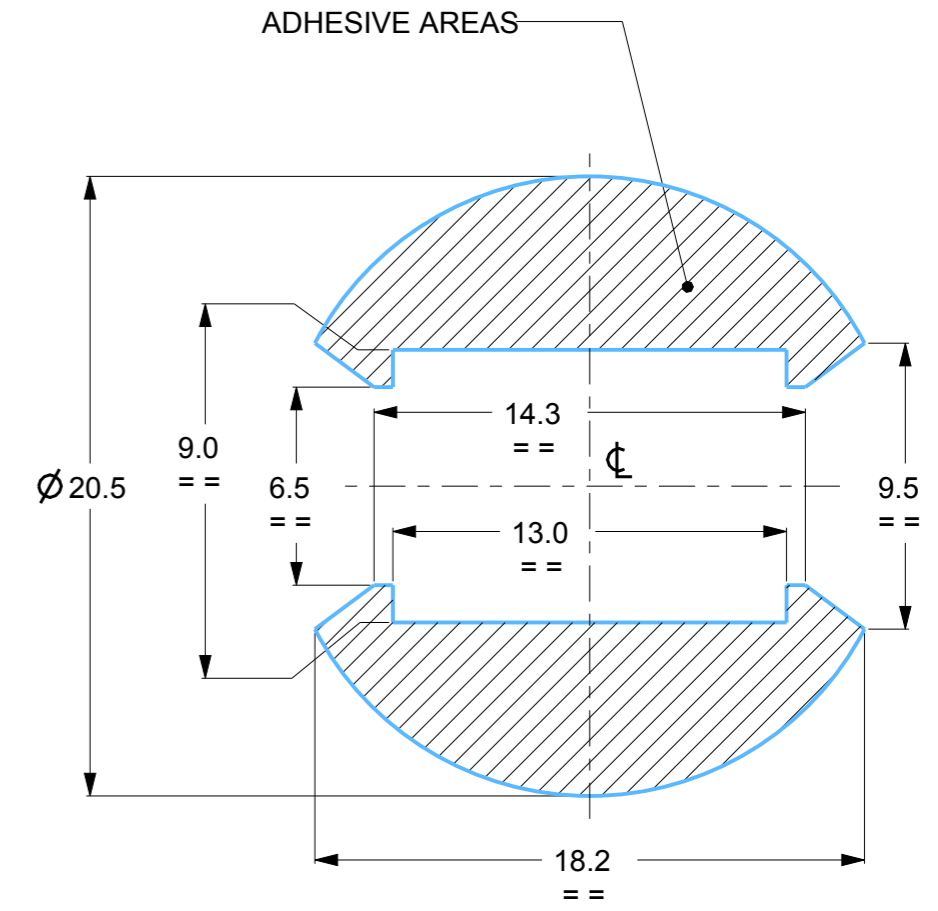


REV.	DATE	D.C.N. NUMBER	DESCRIPTION	CHECKED BY DATE	APPROVED BY DATE
1	22/09/11		FIRST ISSUE	MH 22/09/11	PW 22/09/11



SURFACE COVERED =69%  
 PAD PARTS:10566-TS, 10567-TS, 10568-TS  
 PAD DRW: 70062

PART: 10566 - 10567 - 10568  
 DRW: 60544



NOTES:  
 -TAPE SPEC: 3M 9495LE  
 -THICKNESS 0.17mm  
 -GENERAL OFFSET FROM HOLDER EDGES IS 0.2mm

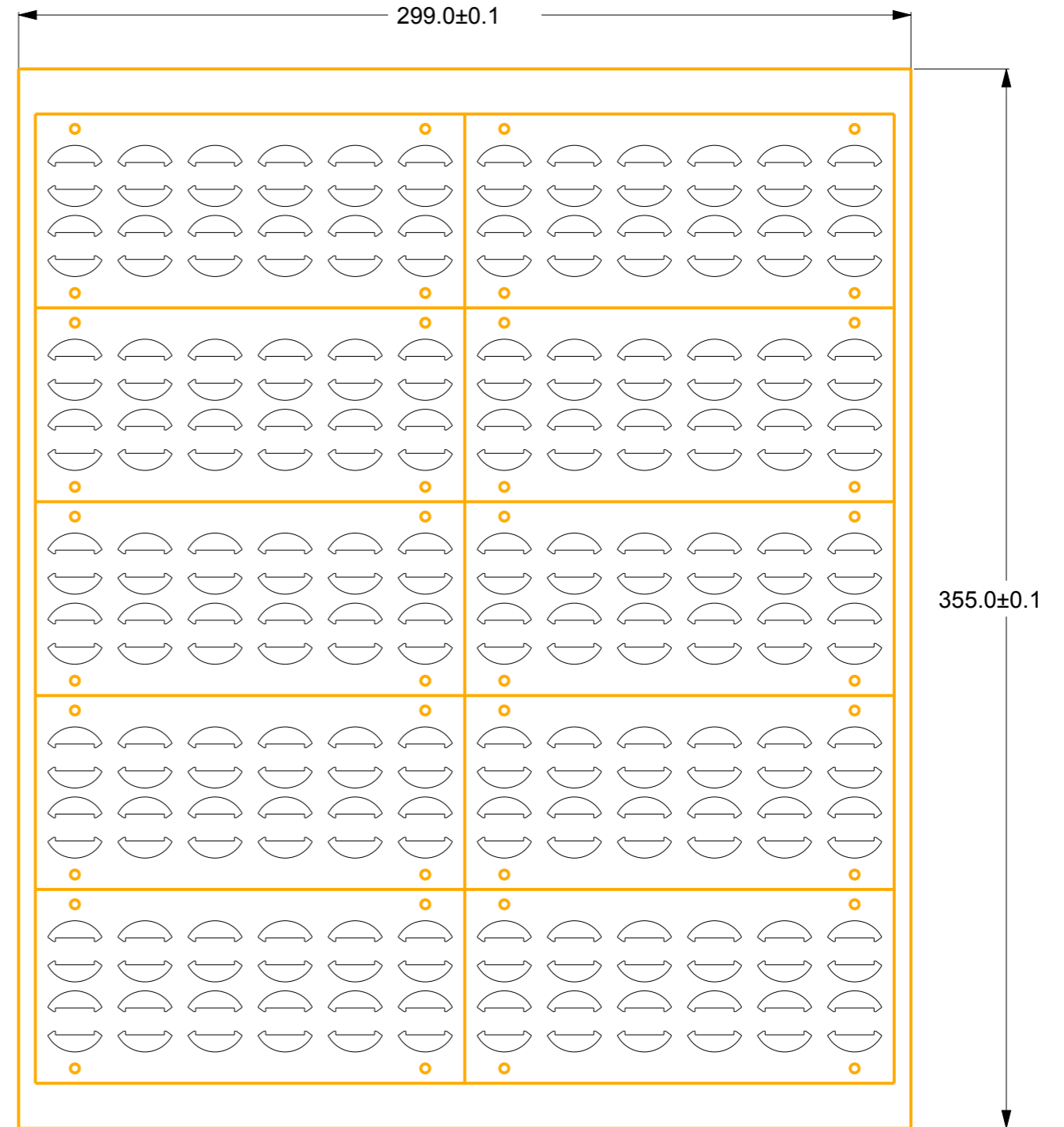
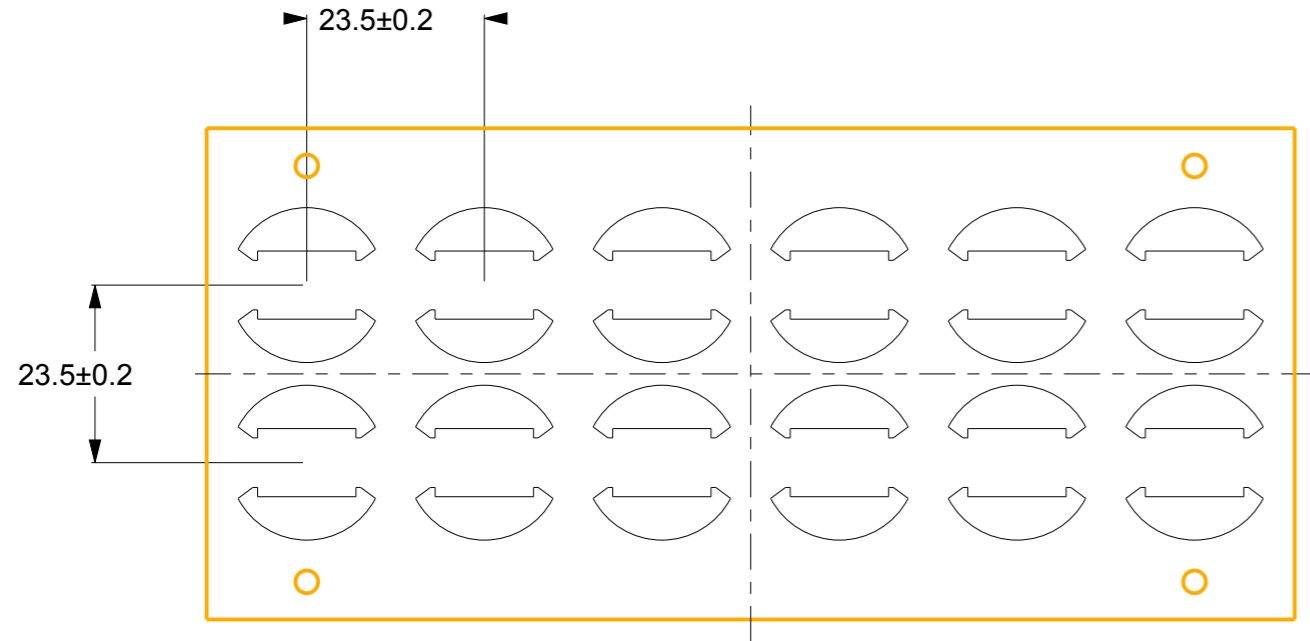
PART NUMBER	COLOUR
10566-TS	BLACK
10567-TS	WHITE
10568-TS	CLEAR

SCALE 4:1 Sheet 6 of 10

<p>103 BUCKINGHAM AVE, SLOUGH, BERKSHIRE, SL1 4PF, UK          Tel: +44 1753 610800. Fax: +44 1753 611359          Email: design@carclo-optics.com          www.carclo-optics.com</p>	Title	20mm DIA LED TAPED OPTIC HOLDER FOR 3.5x3.5mm LEDs				
	Customer	CARCLO				
	Drawn by	FP	Material	SEE NOTE	Scale	AS SPEC.
THIRD ANGLE PROJECTION	GENERAL TOLERANCES UNLESS OTHERWISE STATED		DIMENSIONS IN mm		Format Size	A3
	LINEAR	ANGULAR			CAD File	80-12567-70064-UNI-SHEET-PAD
	0 ± 0.25	0 ± 1°			Drw. N°	70062
	0.0 ± 0.1	0.0 ± 0.5°			Part N°	SEE TABLE
	0.00 ± 0.05	0.00 ± 0.1°				
	CARCLO technical plastics		CONFIDENTIAL: UNAUTHORISED COPYING, DISCUSSION & DISTRIBUTION PROHIBITED			

# GENERAL LAYOUT INFO

REV.	DATE	D.C.N. NUMBER	DESCRIPTION	CHECKED BY DATE	APPROVED BY DATE
1	22/09/11		FIRST ISSUE	MH 22/09/11	PW 22/09/11



- NOTES:
- TAPE SPEC: 3M 9495LE
  - THICKNESS 0.17mm
  - GENERAL OFFSET FROM HOLDER EDGES IS 0.2mm

SCALE 1:2

<p>103 BUCKINGHAM AVE, SLOUGH, BERKSHIRE, SL1 4PF, UK Tel: +44 1753 610800, Fax: +44 1753 611359 Email: design@carclo-optics.com www.carclo-optics.com</p>	Title	UNIVERSAL SHEET ADHESIVE PAD ASSEMBLY			
	Customer	CARCLO			
	Drawn by	FP	Material	SEE NOTE	Scale AS SPEC.
THIRD ANGLE PROJECTION	GENERAL TOLERANCES UNLESS OTHERWISE STATED		DIMENSIONS IN mm		Format Size A3
	LINEAR	ANGULAR			CAD File 80-12567-70064-UNI-SHEET-PAD
	0 ± 0.25 0.0 ± 0.1 0.00 ± 0.05	0 ± 1° 0.0 ± 0.1° 0.00 ± 0.1°	CONFIDENTIAL: UNAUTHORISED COPYING, DISCUSSION & DISTRIBUTION PROHIBITED		Drw. N° 70064
					Part N° 12567