

ABSOLUTE MAXIMUM RATINGS ²

SUPPLY VOLTAGE	+30V CONTINUOUS
VOLTAGE EXTERNALLY APPLIED TO OUTPUT	-0.5 TO +30V (OUTPUT HIGH)
OUTPUT CURRENT	40 mA SINKING

RECOMMENDED OPERATING CONDITIONS ¹⁰

PARAMETER	CONDITIONS	MIN	TYP	MAX	UNITS
OPERATING TEMPERATURE		-40		+150	°C
SUPPLY VOLTAGE		4.5		24	VDC
SUPPLY CURRENT I _{cc}			10	20	mA
V _{sat}	LOW OUTPUT			.4	VDC
OUTPUT CURRENT	LOW OUTPUT			20	mA
OUTPUT LEAKAGE CURRENT	HIGH OUTPUT			10	μA
RISE TIME	10% TO 90%			15	μS
FALL TIME	90% TO 10%			1.0	μS

OPERATING SPECIFICATIONS ^{3 9}

	LIMIT	CONDITIONS	UNITS
⁴ OPERATE	3.3° ± 1.25°	AIR GAP 0.13-2.03	mm
⁵ RELEASE	4.4° ± 2.5°	VSUPPLY 4.5 - 24 TEMP -40 TO 150 RPM 10 TO 5000	VOLTS DEG. C

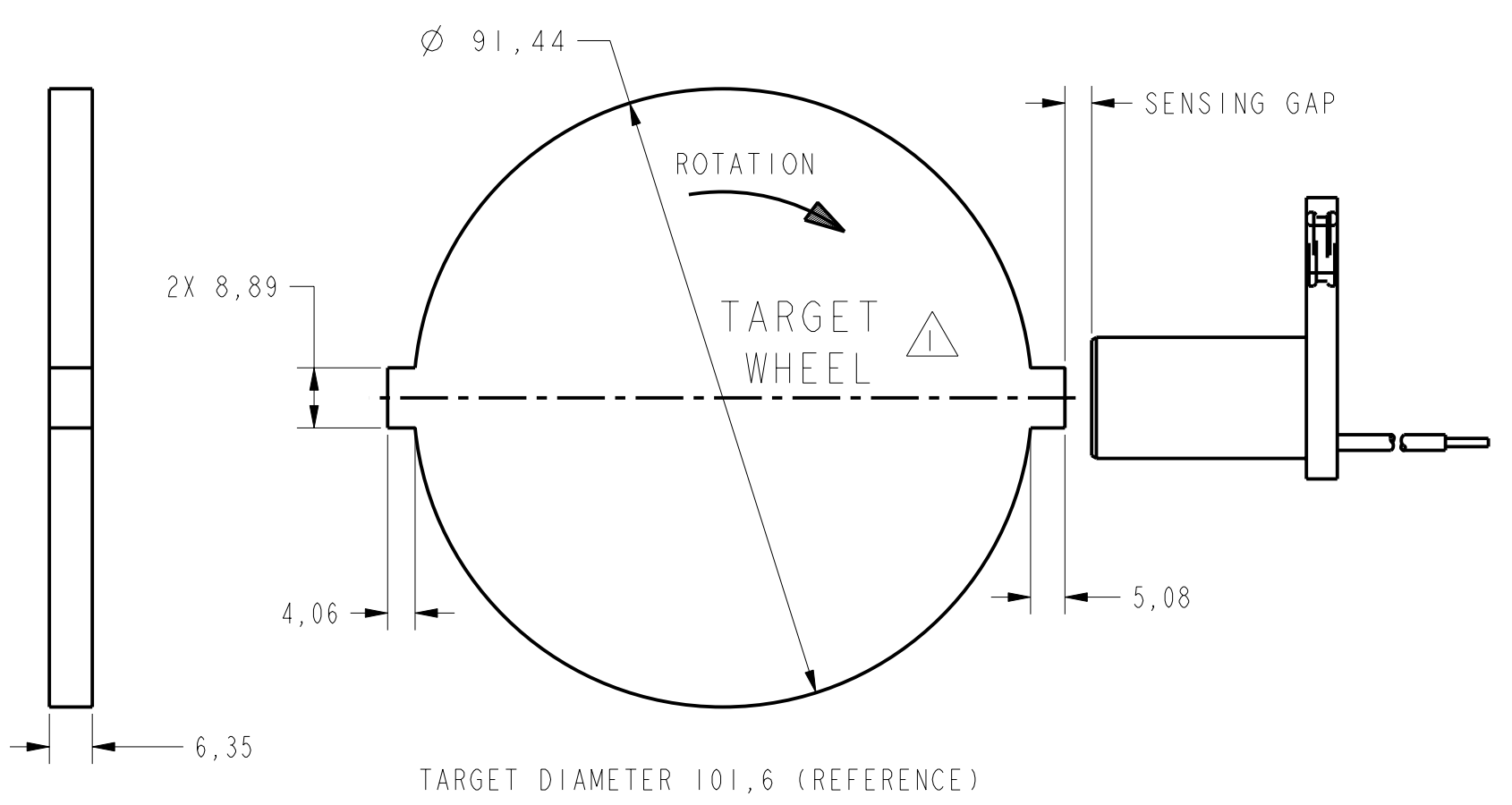
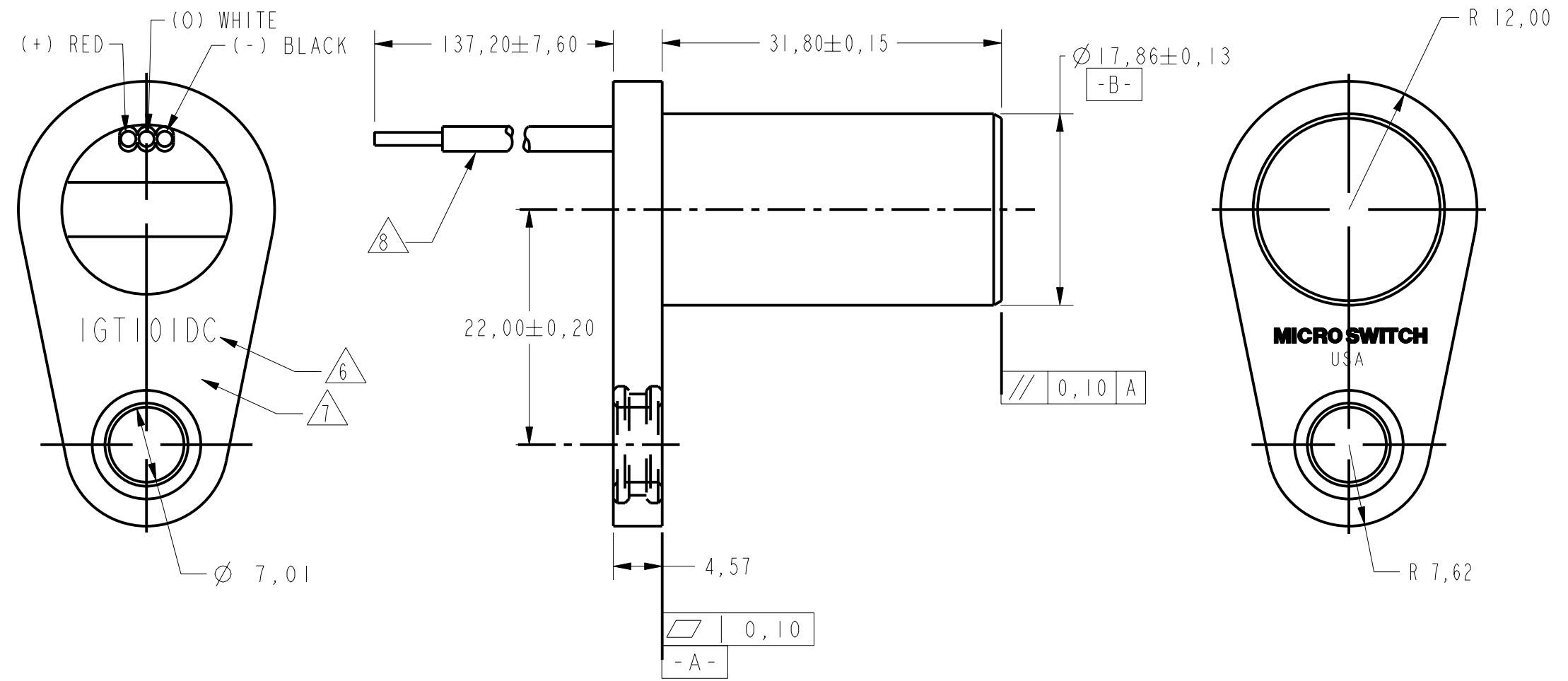
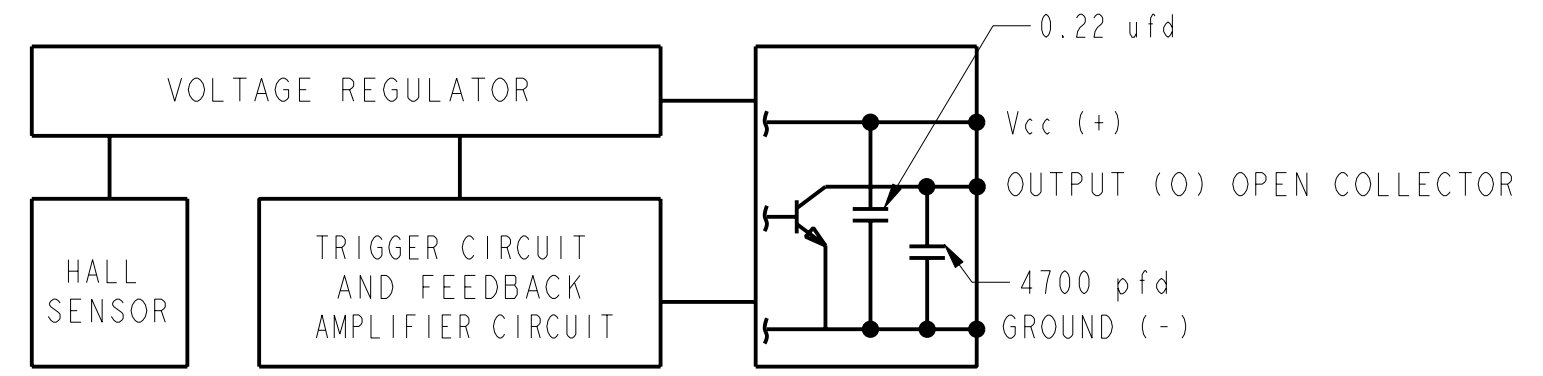


FIGURE 1

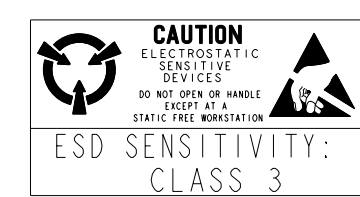


NOTES

- ¹ TARGET SHOULD BE MADE OF GOOD MAGNETIC MATERIAL (C-1018), ANNEAL AFTER MACHINING OR FORMING
- ² MAXIMUM LIMITS THAT SWITCH WILL WITHSTAND WITHOUT DAMAGE
- ³ OPERATING SPECIFICATION IS BASED ON TARGET SHOWN IN FIGURE 1 AND WILL VARY WITH TARGET GEOMETRY
- ⁴ OPERATE (DEGREES) IS THE ANGULAR DISTANCE FROM THE LEADING EDGE OF THE TOOTH TO THE CENTERLINE OF THE SENSOR
- ⁵ RELEASE (DEGREES) IS THE ANGULAR DISTANCE FROM THE TRAILING EDGE OF THE TOOTH TO THE CENTERLINE OF THE SENSOR
- ⁶ MICRO SWITCH PART # 1GT101DC THIS AREA
- ⁷ DATE CODE YYWW THIS AREA
- ⁸ 22 GAUGE WIRE, CROSSLINKED POLYETHYLENE INSULATION
- ⁹ ELECTRICAL CHARACTERISTICS GUARANTEED WITH MAX EXTERNAL LOAD CAPACITANCE ≤ 550 pfd
- ¹⁰ OPERATING TEMPERATURE APPLIES TO SENSOR ONLY, WIRE IS RATED TO 135°C



BLOCK DIAGRAM SHOWING CURRENT SINKING OUTPUT



THIRD ANGLE PROJECTION	
SCALE 2:1	
DO NOT SCALE PRINT	
UNLESS OTHERWISE SPECIFIED TOLERANCES ARE	
ONE PLACE (.0)	± .030
TWO PLACES (.00)	± .015
THREE PLACES (.000)	± .005
ANGLES	±
WEIGHT	

THIS DRAWING COVERS A PROPRIETARY ITEM AND IS THE PROPERTY OF MICRO SWITCH, A DIVISION OF HONEYWELL. THIS DRAWING IS NOT TO BE COPIED OR USED WITHOUT THE APPROVAL OF MICRO SWITCH.

MICRO SWITCH
a Honeywell Division

GEARTOOTH SENSOR

CATALOG LISTING
1GT101DC

FED. MFG. CODE 91929

P.T.C./CAD [20] DRAWN [KAG] 29 MAR 99 CHECK [JAS] 2 APR 91
 REVISIONS: A CO-70352 JAS 6 JUN 91; B REM DR PR-19954 JAS 23 APR 92; B CO-72666 JAS 23 APR 92; C CO-75618 JAS 22 JUN 93; D CO-76783 JAS 10 DEC 93; E CO-81928-A JAS 12 JAN 96; F CO-83529 JAS 26 OCT 96; G CO-93037 JAS 19 JAN 99; H 204349 JAS 08 NOV 01
 ISSUE 9
 DRAWING NUMBER M 1GT101DC
 RELEASE NO. PR-19954
 REPLACES GT08GA