

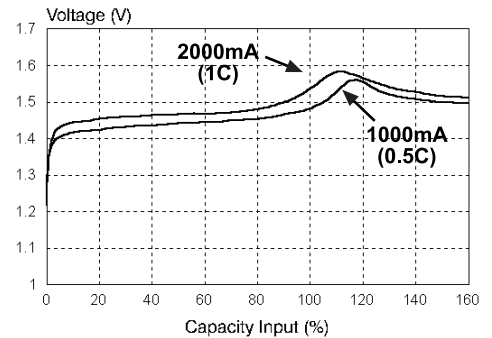
GP Batteries

Data Sheet

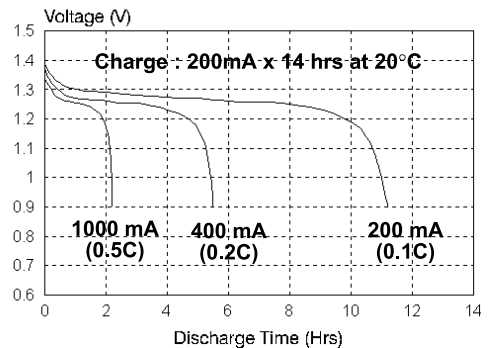
Model No.: GP200AFK

Type	: Rechargeable Nickel Cadmium Cylindrical Cell
Nominal Dimension (with Sleeve)	: $\Phi = 17.5^{+0}_{-1.5}$ mm H = 67.5^{+0}_{-2} mm
Applications	: Recommended discharge current 100 to 6000 mA
Nominal Voltage	: 1.2V
Nominal Capacity	: 2000 mAh when discharge at 400 mA to 1.0V at 20°C
Charging Condition	: 200mA for 14 hrs at 20°C
Fast Charge	: 1000 mA to 2000 mA (0.5C to 1C) with charge termination control Recommended control parameters: - ΔV : 10 - 20 mV Timer : 120% nominal input
Service Life	: >500 cycles (IEC standard)
Continuous Overcharge	: 200 mA maximum permissible current No conspicuous deformation and/or leakage
Weight	: 43 g
Internal Resistance	: Average 20 m Ω upon fully charged range 15 - 25 m Ω at 1000 Hz
Max. Charging Voltage	: 1.5V at 200 mA charging
Ambient Temperature Range	: Standard Charging : 0°C to 45°C Fast Charging : 10°C to 45°C Discharging : -20°C to 50°C Storage : -20°C to 35°C

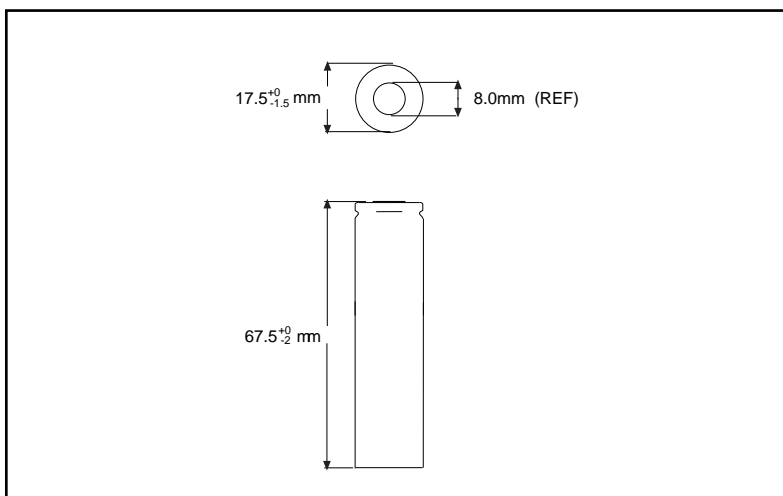
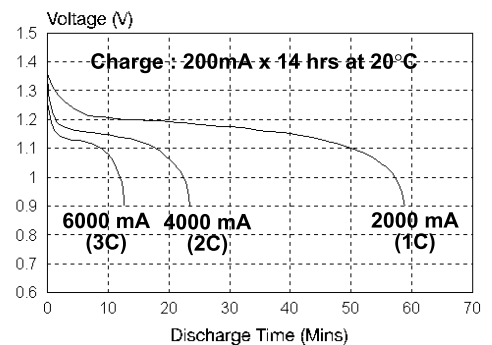
Fast Charge (Charge control required)



Low Rate Discharge



High Rate Discharge



* The information (subject to change without prior notice) contained in this document is for reference only and should not be used as a basis for product guarantee or warranty. For applications other than those described here, please consult your nearest GP Sales and Marketing Office or Distributors.