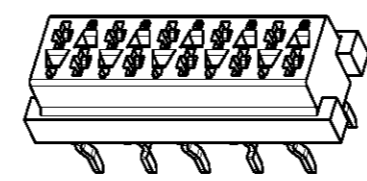
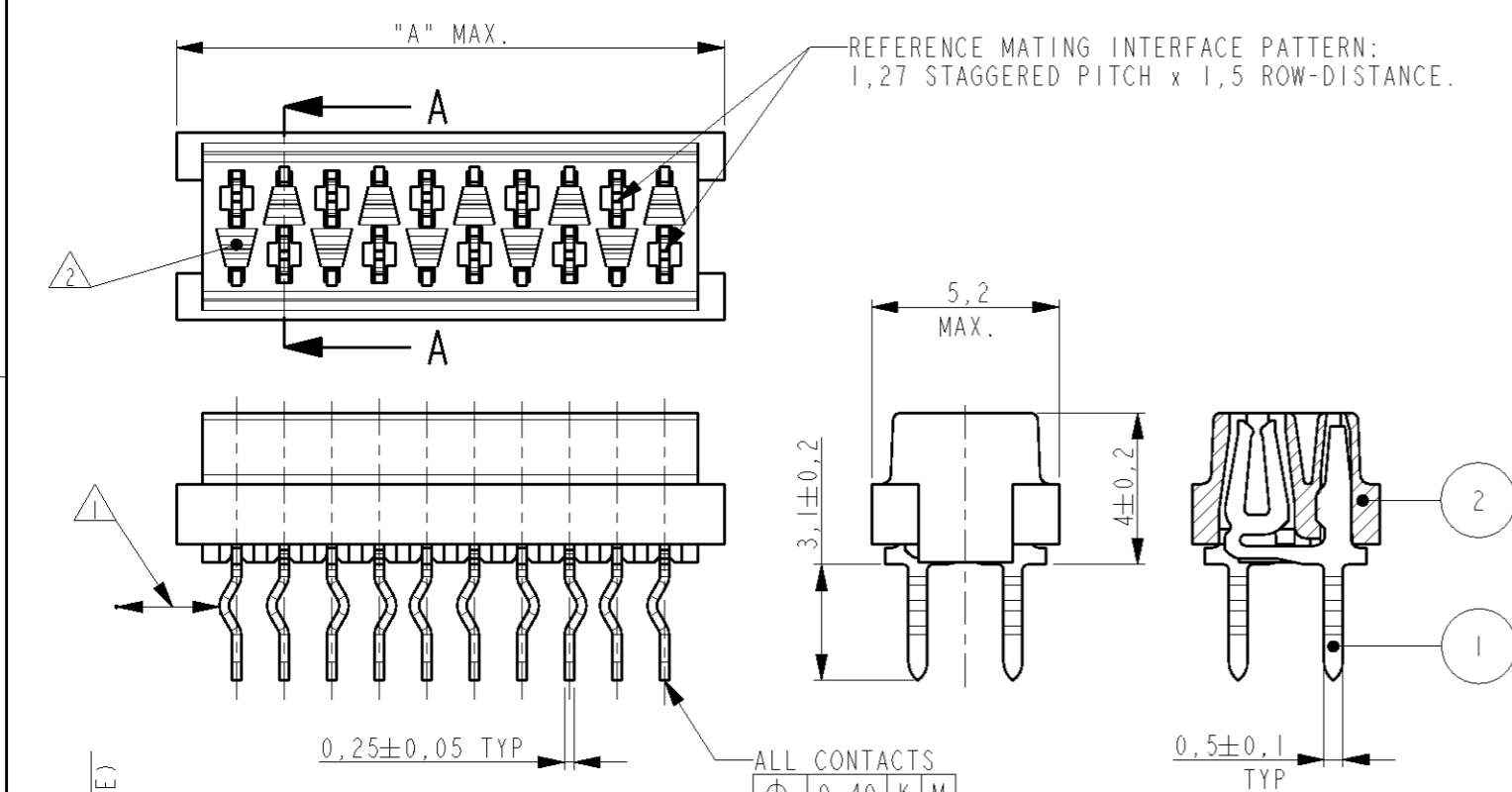


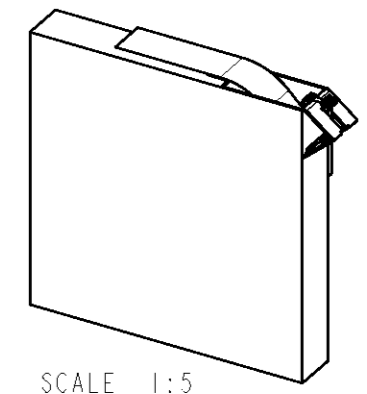
THIS DRAWING IS UNPUBLISHED. RELEASED FOR PUBLICATION
 © COPYRIGHT - BY ALL RIGHTS RESERVED.

LOC H	DIST -	REVISIONS			
P	LTR	DESCRIPTION	DATE	DWN	APVD
	W1	REVISED PER ECO-11-005294	27APR11	RK	HMR



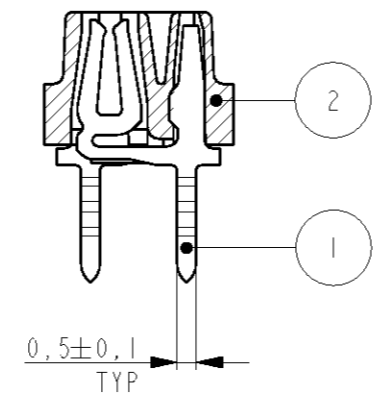
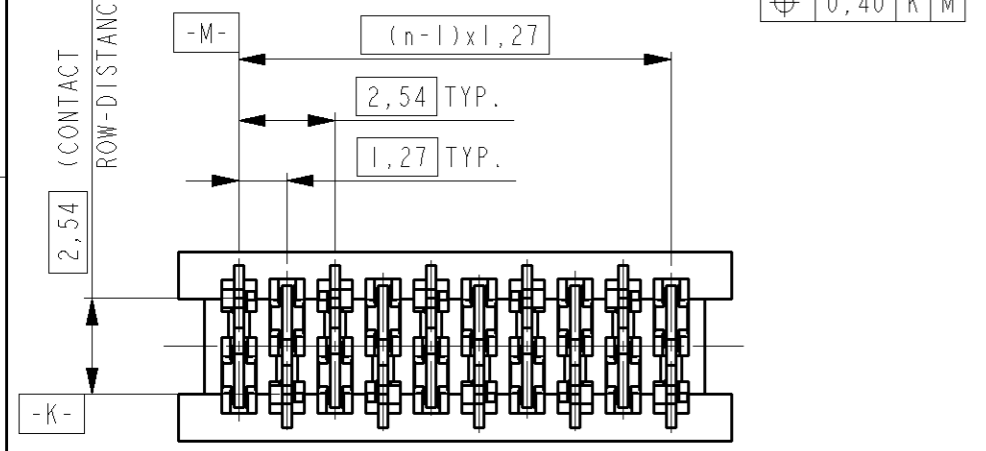
SCALE 3:1

PARTNUMBER BOX PACKAGING	PARTNUMBER REEL PACKAGING	NR OF POS "n"	DIMENSION "A" MAX
7-215079-4	215079-4	4	7,1
7-215079-6	215079-6	6	9,7
7-215079-8	215079-8	8	12,2
8-215079-0	1-215079-0	10	14,7
8-215079-2	1-215079-2	12	17,3
8-215079-4	1-215079-4	14	19,8
8-215079-6	1-215079-6	16	22,4
8-215079-8	1-215079-8	18	24,9
9-215079-0	2-215079-0	20	27,4

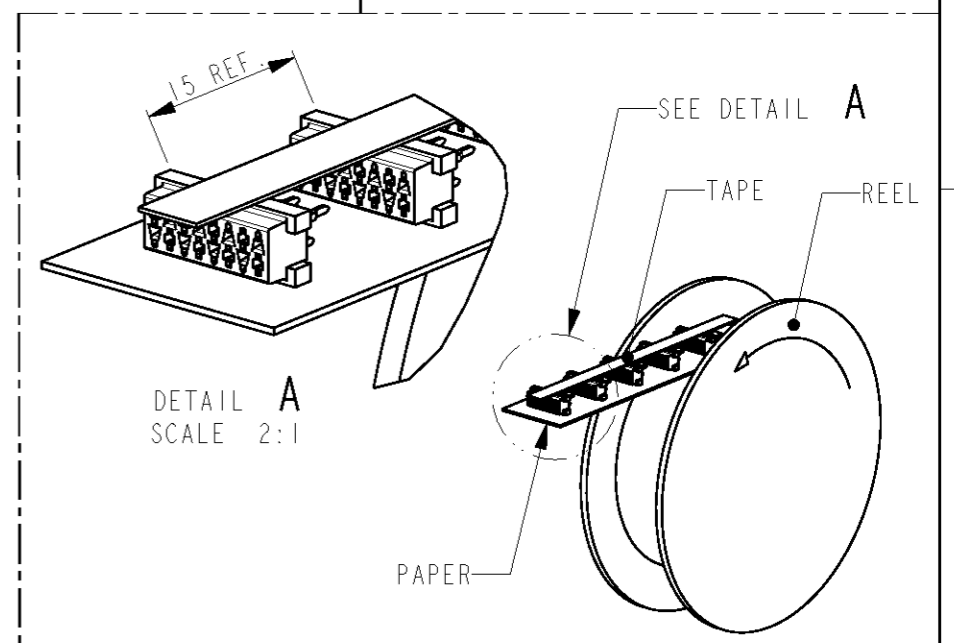


SCALE 1:5

BOX PACKAGING
250 CONNECTORS PER BOX
FOR ALL PARTNUMBERS

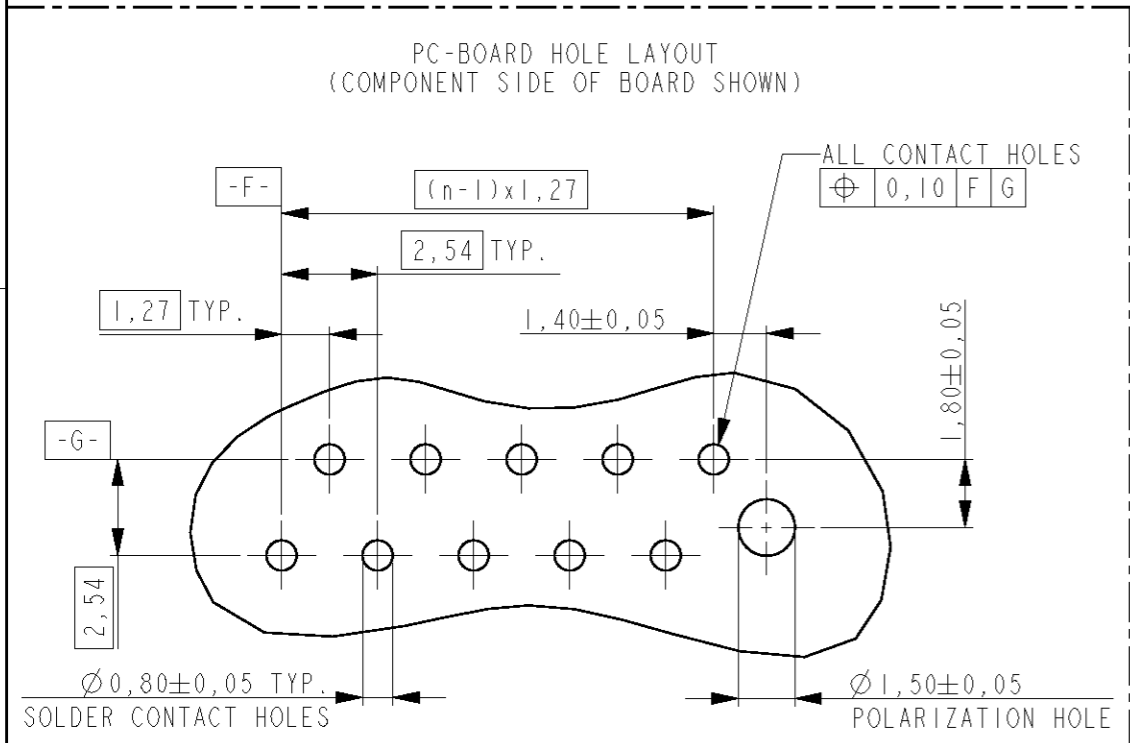


SECTION A-A



DETAIL A
SCALE 2:1

REEL PACKAGING
DEREELING DIRECTION AND CONNECTOR POSITION
2500 CONNECTORS PER REEL FOR ALL PARTNUMBERS



NOTES:

- 1 IN EACH ROW, DIRECTION OF KINKS STARTS RANDOM. IN EACH ROW, SEQUENTIAL CONTACTS HAVE OPPOSITE KINK DIRECTIONS.
- 2 CORING-OUTS FOR MANUFACTURING PURPOSE ONLY. SHAPE MAY VARY, BUT IS NOT FUNCTIONAL FOR THE APPLICATION.
- 3 SHOWN IS A 10 POSITION CONNECTOR.

2	FEMALE HOUSING	G.F. POLYESTER PBT	RED
1	FEMALE CONTACT	PHOSPHOR BRONZE	TIN OVER NICKEL
ITEM NO.	COMPONENT DESCRIPTION	MATERIAL	FINISH / COLOR

DIMENSIONS: mm		TOLERANCES UNLESS OTHERWISE SPECIFIED:		DWN M. GOSSELINK			
		0 PLC ± 1 PLC ± 2 PLC ± 3 PLC ± 4 PLC ± ANGLES ±		CHK -			
MATERIAL SEE TABLE		FINISH SEE TABLE		APVD -		CONNECTOR, FEMALE-ON-BOARD TOP-ENTRY, THRU-HOLE, Micro-MatCh	
CUSTOMER DRAWING		WEIGHT -		PRODUCT SPEC 108-19052		SIZE A3	
				APPLICATION SPEC -		CAGE CODE 00779	
				SCALE 5:1		DRAWING NO C=215079	
				SHEET 1 OF 1		RESTRICTED TO -	
				REV W1			