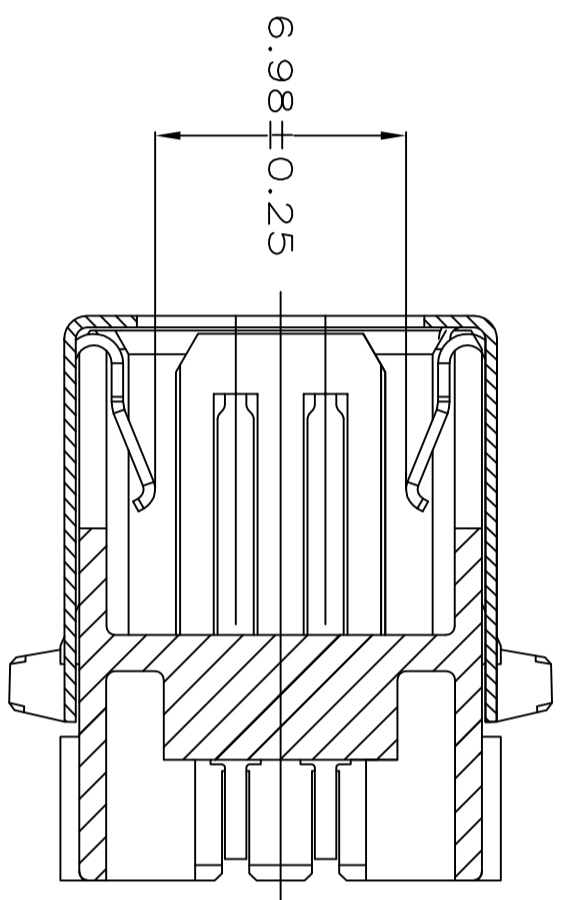
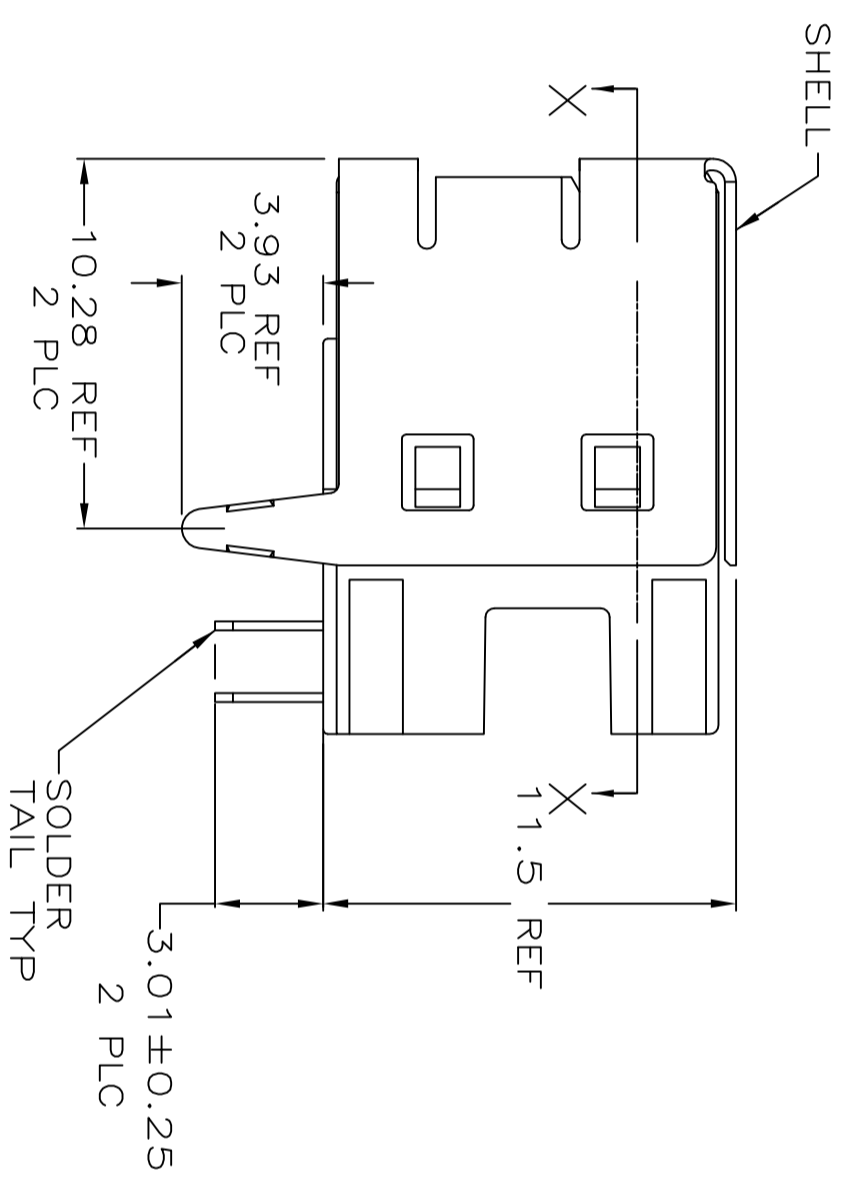
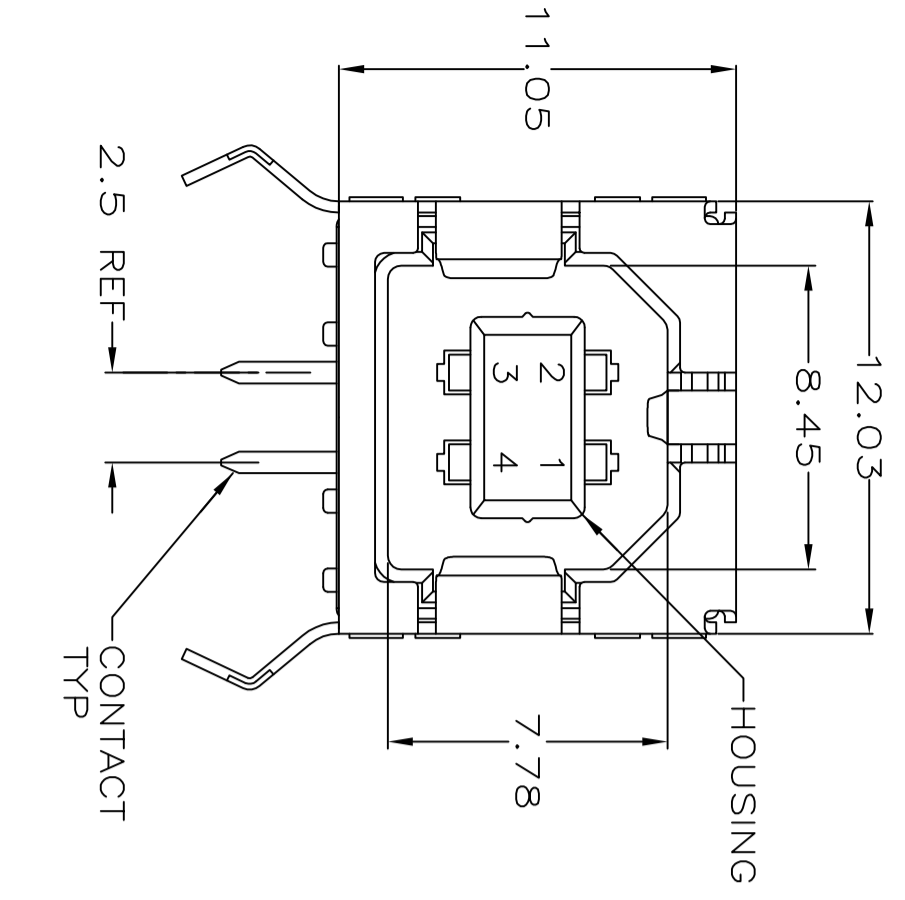


PC BOARD MOUNTING DIMENSIONS $\Delta 4$



SECTION X-X

- $\Delta 1$ MATERIAL:
SHELL & CONTACTS: COPPER ALLOY.
HOUSING: UL 94V-0 RATED, THERMOPLASTIC, BLACK.
- $\Delta 2$ PLATING:
CONTACTS: 0.076 μ m MINIMUM GOLD OVER 0.76 μ m MINIMUM PALLADIUM-NICKEL ON MATING AREA.
3.8 μ m MINIMUM MATTE TIN ON SOLDER TAILS.
BOTH OVER 1.27 μ m MINIMUM NICKEL.
CONTACT ALTERNATE PLATING: 0.76 μ m MIN GOLD ON MATING AREA, 3.8 μ m MIN MATTE TIN ON SOLDER TAILS, BOTH OVER 1.27 μ m MIN NICKEL.
- $\Delta 3$ SHELL: 2.0~5.0 μ m MINIMUM TIN.
DATUM AND BASIC DIMENSIONS ESTABLISHED BY CUSTOMER.
- $\Delta 4$ RECOMMENDED PC BOARD THICKNESS OF 1.57.
- $\Delta 5$ PLATING:
CONTACTS: 0.76 μ m MINIMUM GOLD ON MATING AREA,
3.8 μ m MINIMUM MATTE TIN ON SOLDER TAILS,
BOTH OVER 1.27 μ m MINIMUM NICKEL.
SHELL: 2.0~5.0 μ m MINIMUM TIN.
- $\Delta 6$ PLATING:
CONTACTS: 0.38 μ m MINIMUM GOLD ON MATING AREA,
3.8 μ m MINIMUM MATTE TIN ON SOLDER TAILS,
BOTH OVER 1.27 μ m MINIMUM NICKEL.
SHELL: 2.0~5.0 μ m MINIMUM TIN.
- 7 RECOMMEND:
MATING FORCE: 35N MAX.
UNMATING FORCE: 13N MIN.
RECOMMENDED MATING PLUG SHOULD MEET USB2.0 STANDARD.

6	NO	BLACK	292304-5
5	NO	BLACK	292304-4
2	YES	BLACK	292304-3
2	YES	NATURAL	292304-2
2	NO	BLACK	292304-1
PLATING		HIGH TEMPERATURE COMPATIBLE	PART NUMBER

DIMENSIONS:		TOLERANCES UNLESS OTHERWISE SPECIFIED:	
mm		mm	
0 PLC	±0.1	0 PLC	±0.1
1 PLC	±0.1	1 PLC	±0.1
2 PLC	±0.1	2 PLC	±0.1
3 PLC	±0.1	3 PLC	±0.1
4 PLC	±0.1	4 PLC	±0.1
FINISHES		FINISHES	
1		2	
MATERIAL		MATERIAL	
1		2	
CUSTOMER DRAWING		CUSTOMER DRAWING	
A2 00779		A2 00779	
CAGE CODE		CAGE CODE	
292304		292304	
SCALE		SCALE	
5:1		5:1	
SHEET		SHEET	
1		1	
REV		REV	
D2		D2	

292304