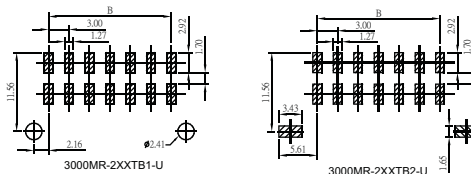


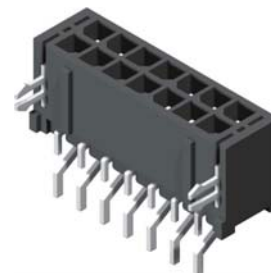
3.0mm Wafer Dual rows Wafer SMT Straight & SMT Right Angle Type

Specifications

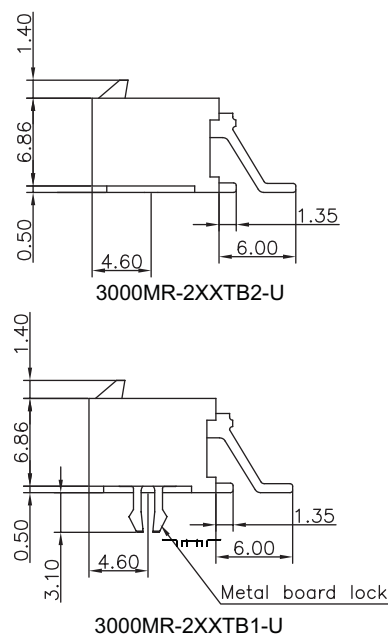
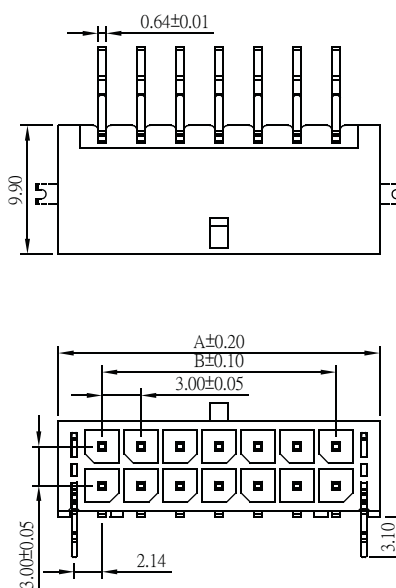
Current Rating: 5A AC,DC
 Voltage Rating: 250V AC,DC
 Temperature Range: -25°C to +105°C
 Contact Resistance: 10mΩ Max.
 Insulation Resistance: 1000MΩ Min.
 Withstanding Voltage: 1500V AC/minute
 Pin Material: Brass / Tin Plated
 Material: Nylon 46,UL94V-0



Recommended PCB Layout
(PCB TOLERANCE ±0.05)



Part No.	Dimensions	
	A	B
3000MR-201TBX-U	6.70	---
3000MR-202TBX-U	9.70	3.00
3000MR-203TBX-U	12.70	6.00
3000MR-204TBX-U	15.70	9.00
3000MR-205TBX-U	18.70	12.00
3000MR-206TBX-U	21.70	15.00
3000MR-207TBX-U	24.70	18.00
3000MR-208TBX-U	27.70	21.00
3000MR-209TBX-U	30.70	24.00
3000MR-210TBX-U	33.70	27.00
3000MR-211TBX-U	36.70	30.00
3000MR-212TBX-U	39.70	33.00

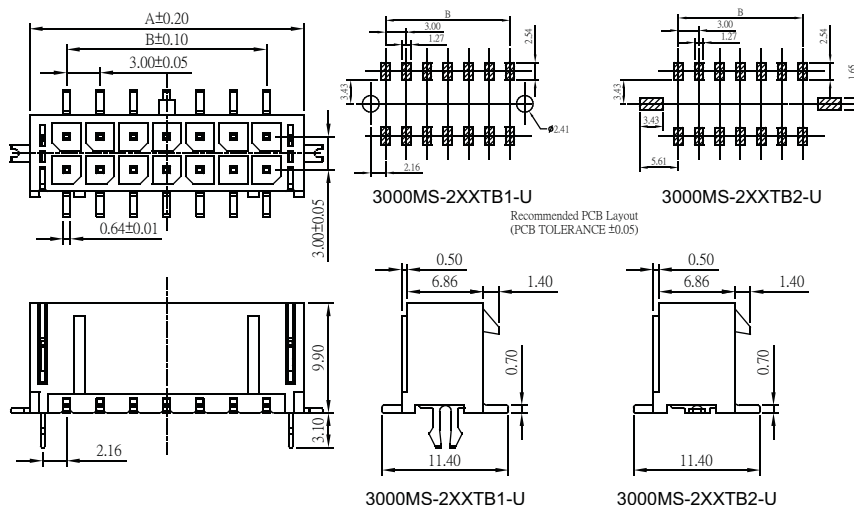


Part No.:3000MR-2XXTBX-U

Specifications

Current Rating: 5A AC,DC
 Voltage Rating: 250V AC,DC
 Temperature Range: -25°C to +105°C
 Contact Resistance: 10mΩ Max.
 Insulation Resistance: 1000MΩ Min.
 Withstanding Voltage: 1500V AC/minute
 Pin Material: Brass / Tin Plated
 Material: Nylon 46,UL94V-0

Part No.	Dimensions	
	A	B
3000MS-201TBX-U	6.70	---
3000MS-202TBX-U	9.70	3.00
3000MS-203TBX-U	12.70	6.00
3000MS-204TBX-U	15.70	9.00
3000MS-205TBX-U	18.70	12.00
3000MS-206TBX-U	21.70	15.00
3000MS-207TBX-U	24.70	18.00
3000MS-208TBX-U	27.70	21.00
3000MS-209TBX-U	30.70	24.00
3000MS-210TBX-U	33.70	27.00
3000MS-211TBX-U	36.70	30.00
3000MS-212TBX-U	39.70	33.00



Part No.:3000MS-2XXTBX-U