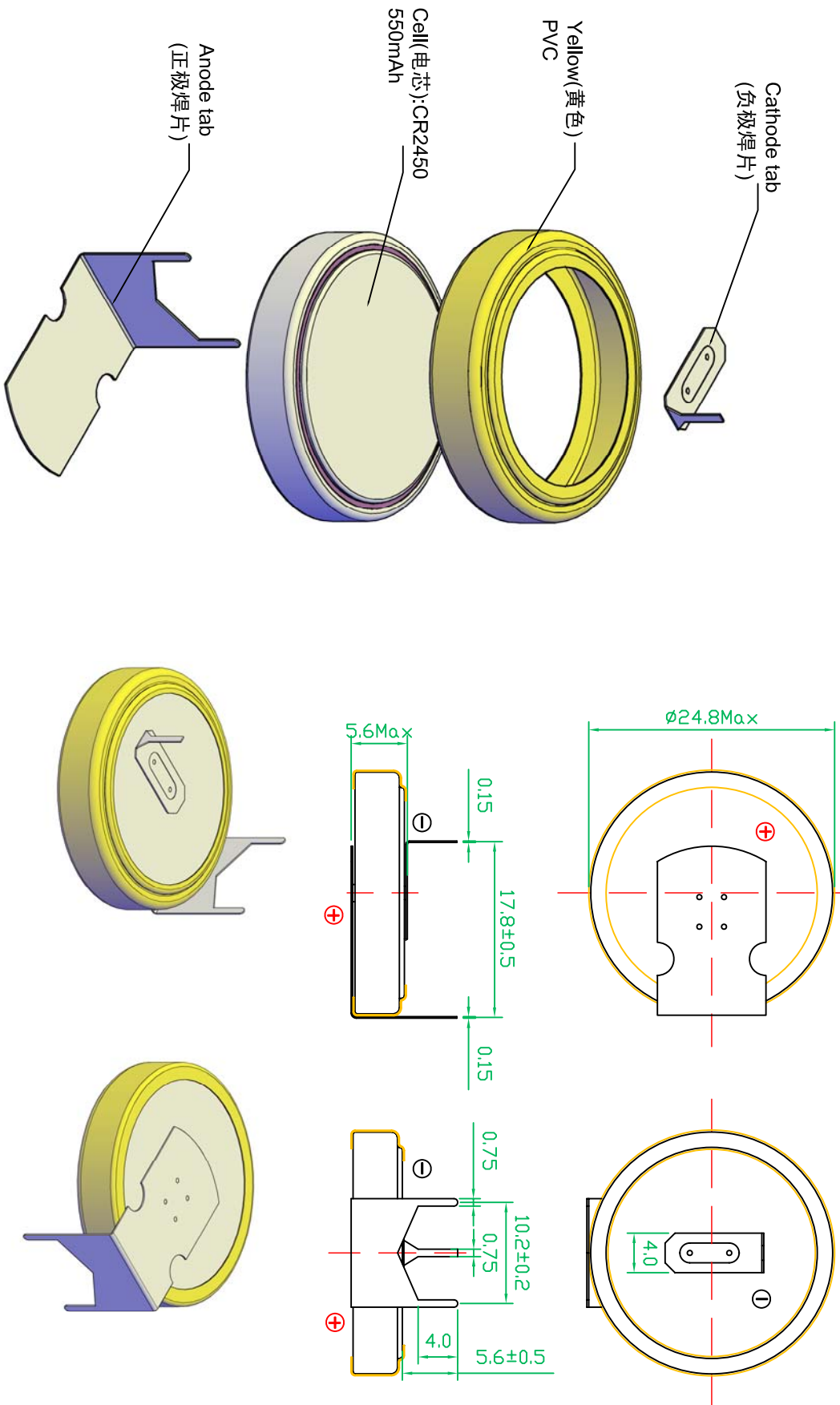


(Scale: 2 : 1)



Remark(备注):  
 1. Cell(电芯): Button, Yellow PVC, with date code(扣式, 包黄色 PVC, 表面喷码)  
 2. Cathode/Anode tab: Stainless steel plated with nickel  
 正/负极焊片材质: 不锈钢镀镍  
 3. RoHS Compliant  
 严格按照ROHS要求生产

 <b>EEMB BATTERY</b>		Drawn:	Liljeyong	Revise No.:	E4-2009
		Checked 1:	Cooo	Projection:	
Title	CR2450-VAY3	Checked 2:		Page:	1/1
File NO.	A07843	Approved:		Scale:	1.5: 1
		Draw Date:	2013/03/30	Unit:	mm