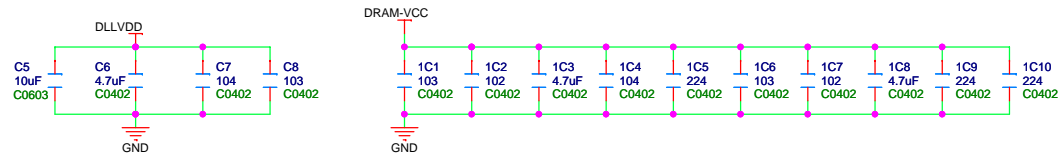
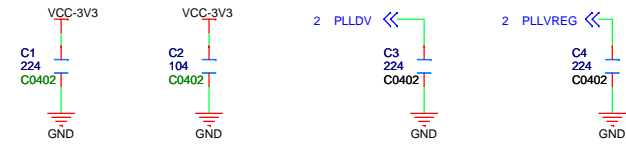


Title		
A20-Cubietruck-V1.0-130606		
Size	Document Number	Rev
A3		V1.0
Date:	Sheet 2 of 11	http://cubieboard.org

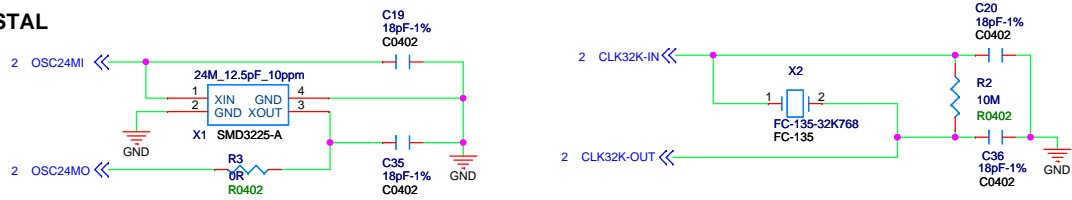
DRAM-DLL



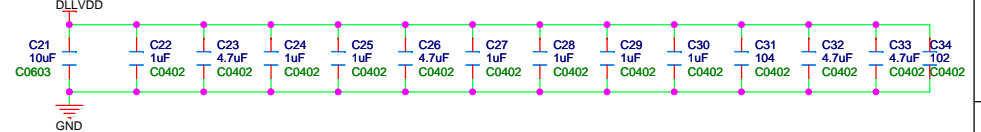
PLL-NAND



CRYSTAL

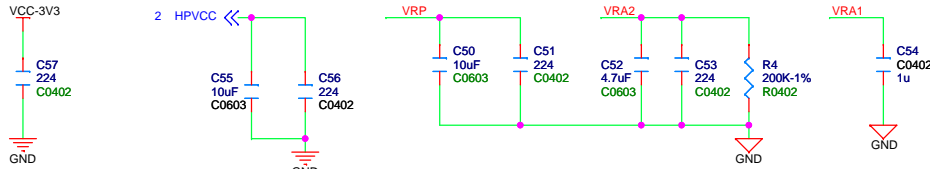


CORE

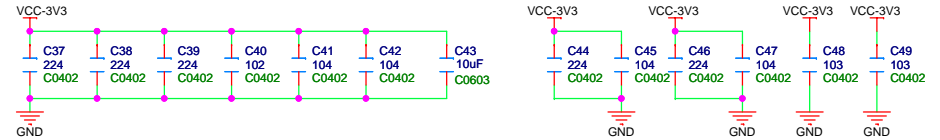


AUDIO-LRADC

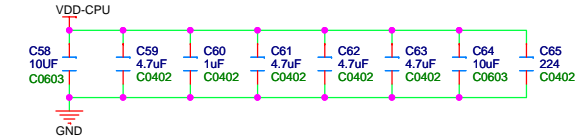
- 2 VRP << VRP
- 2 VRA2 << VRA2
- 2 VRA1 << VRA1



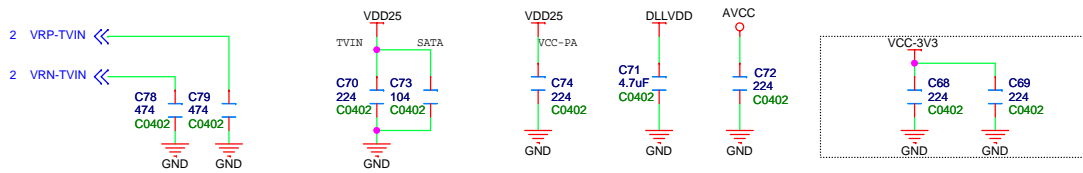
PIO-INTFACE



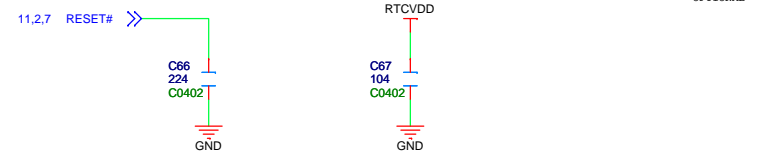
CPU



USB-TV-CSI



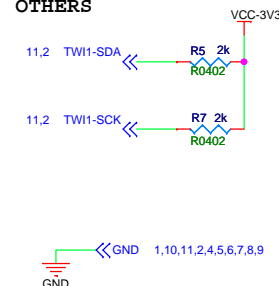
RESET-RTC



HDMI



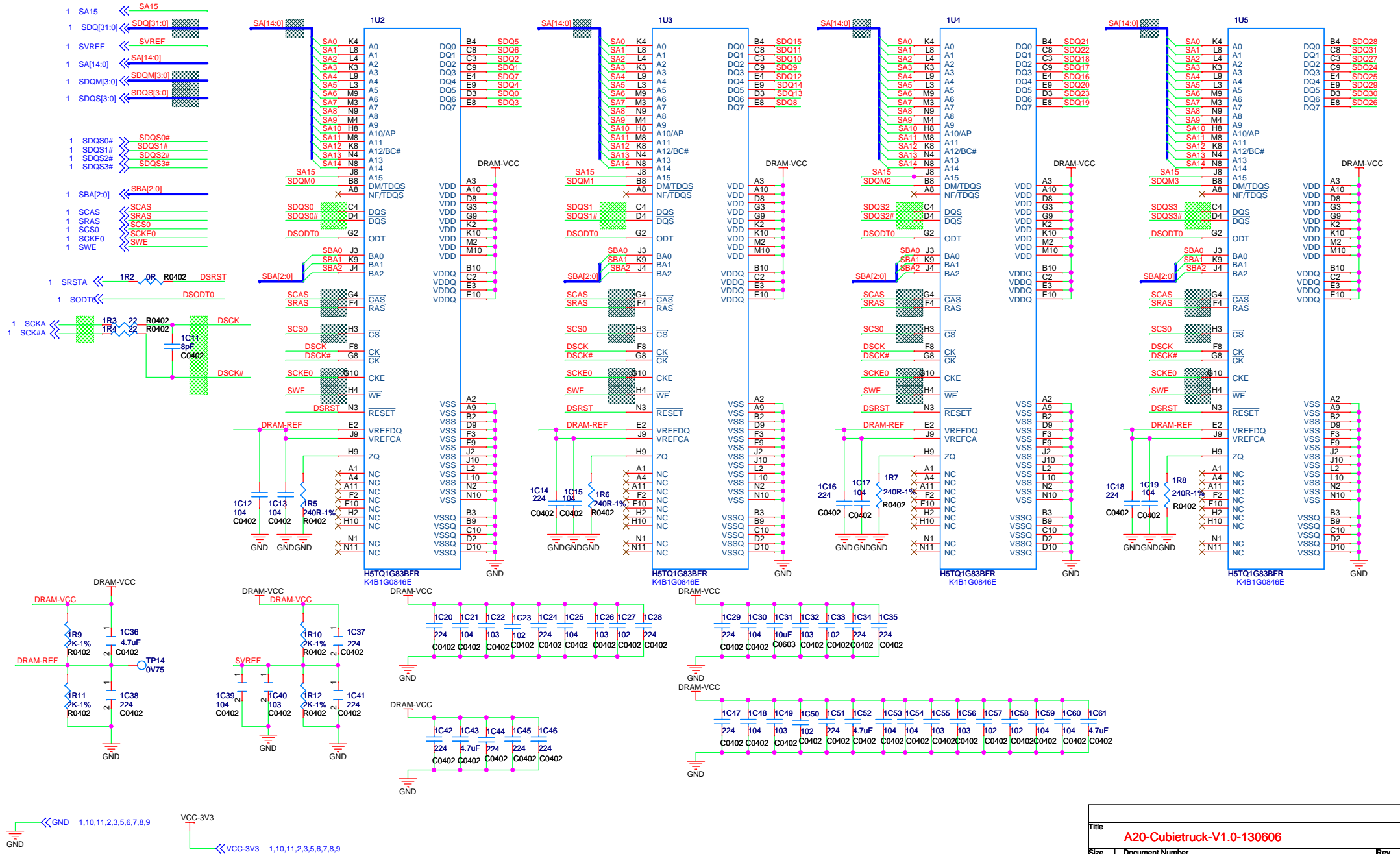
OTHERS



Title		
A20-Cubietruck-V1.0-130606		
Size	Document Number	Rev
A3	http://cubieboard.org	V1.0
Date:	Sheet	3 of 11

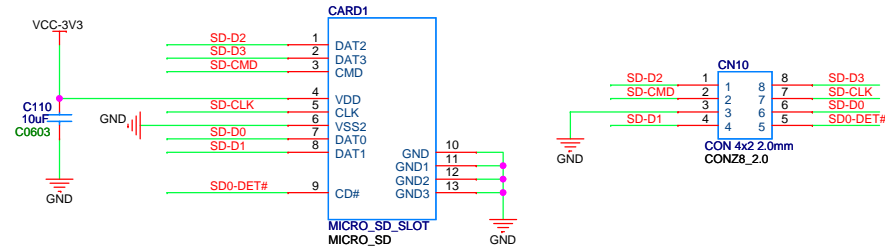
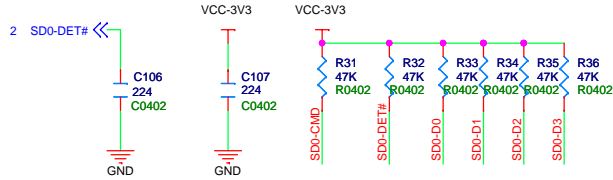
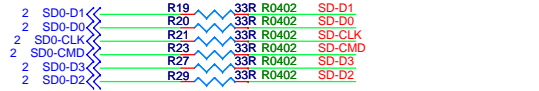
DDR3 8bit x 4pcs

Differential pairs Z0= 100 ohm
Equilong BUS Z0= 50 ohm

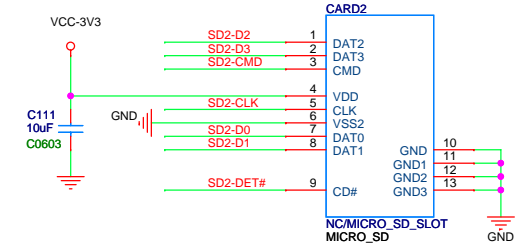
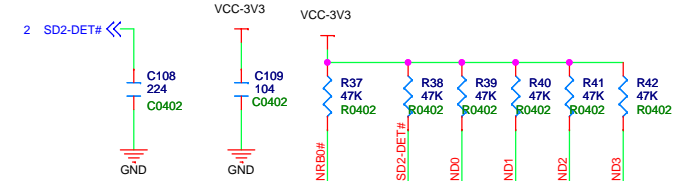
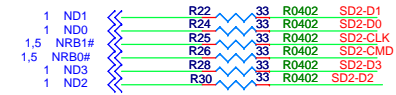


Title			A20-Cubietruck-V1.0-130606		
Size	Document Number		http://cubieboard.org		Rev
A3					V1.0
Date:			Sheet 4 of 11		

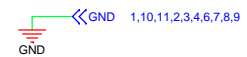
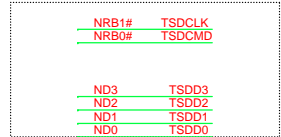
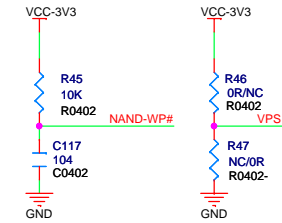
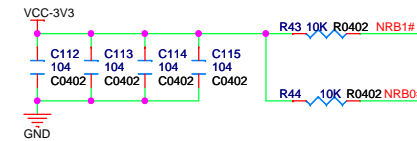
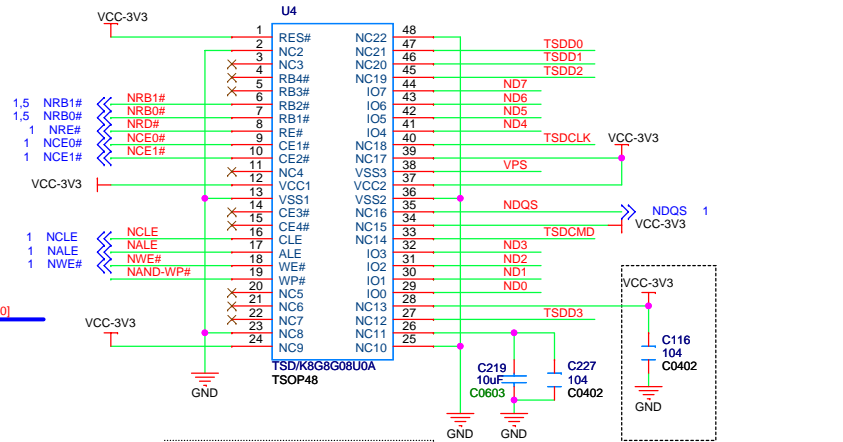
CARD0



CARD2 (option with NAND flash)

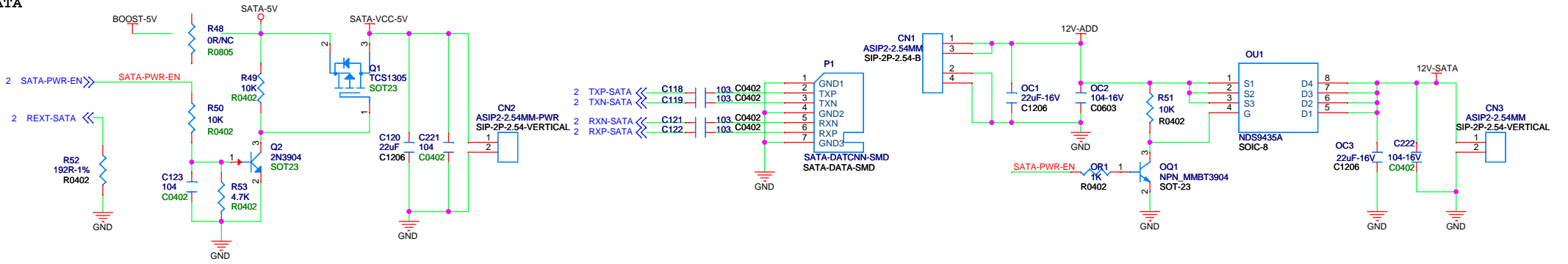


NAND & TSD



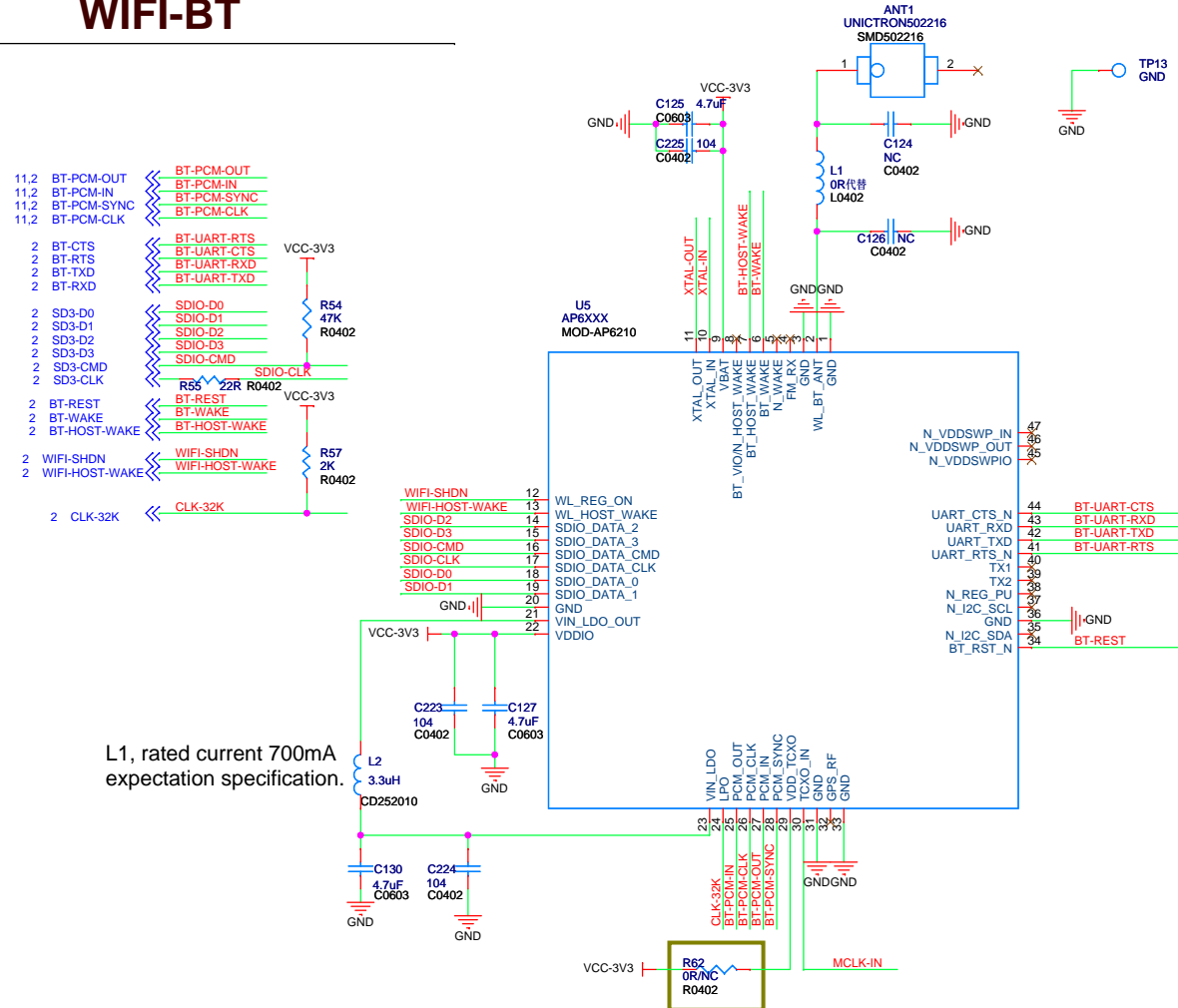
Title			A20-Cubietruck-V1.0-130606		
Size	Document Number	http://cubieboard.org			Rev
A3					V1.0
Date:		Sheet	5	of	11

SATA

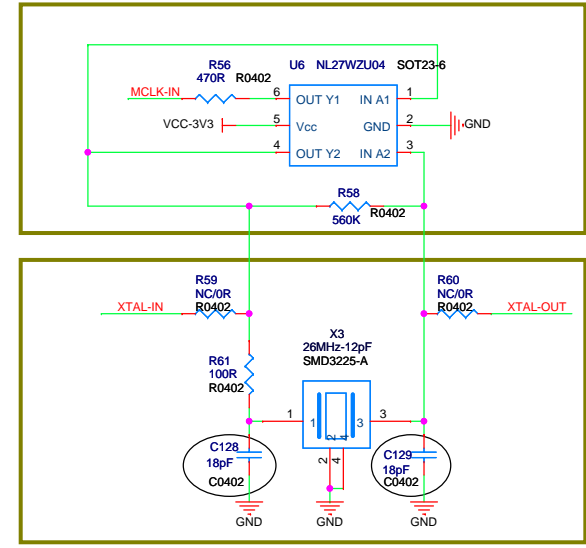


WIFI-BT

Wifi ANT



50 Ohm RF trace

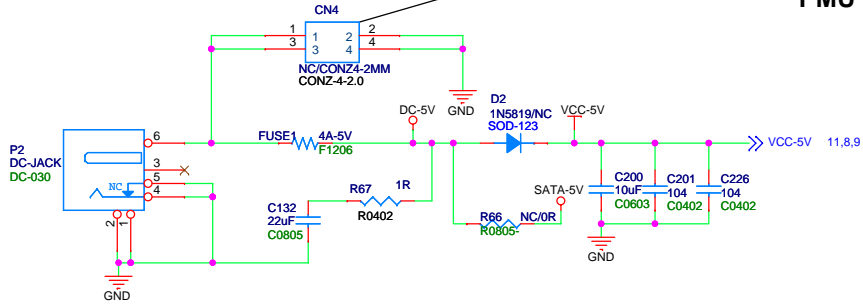


L1, rated current 700mA expectation specification.

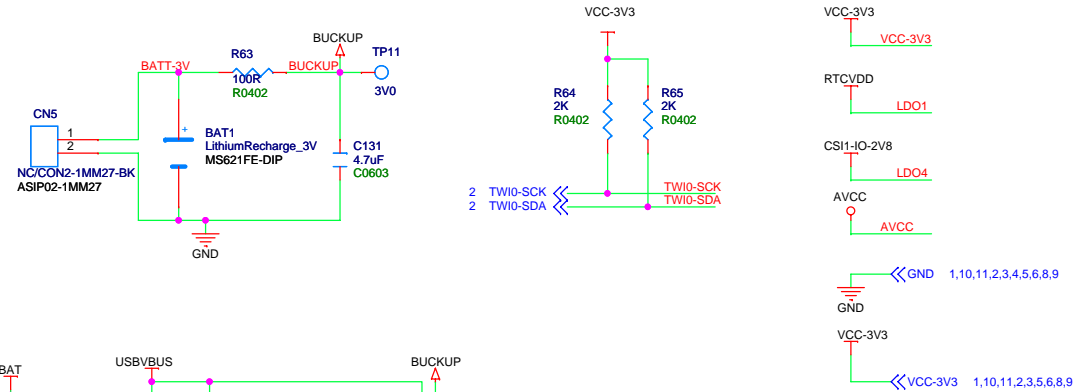
Title			A20-Cubietruck-V1.0-130606		
Size	Document Number		http://cubieboard.org		
A3			Rev	V1.0	
Date:			Sheet	6 of 11	

DC-IN & DC-DC

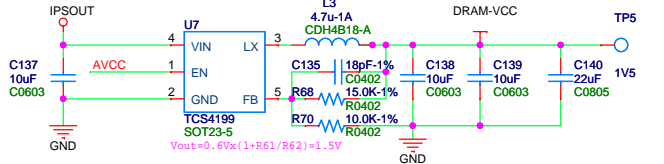
Solder option with DC-JACK, coreboard can be powered from extended board through it in other embedded system app.



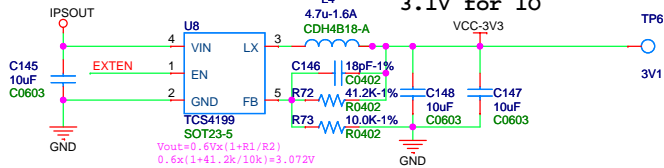
PMU



1.5V FOR DDR3

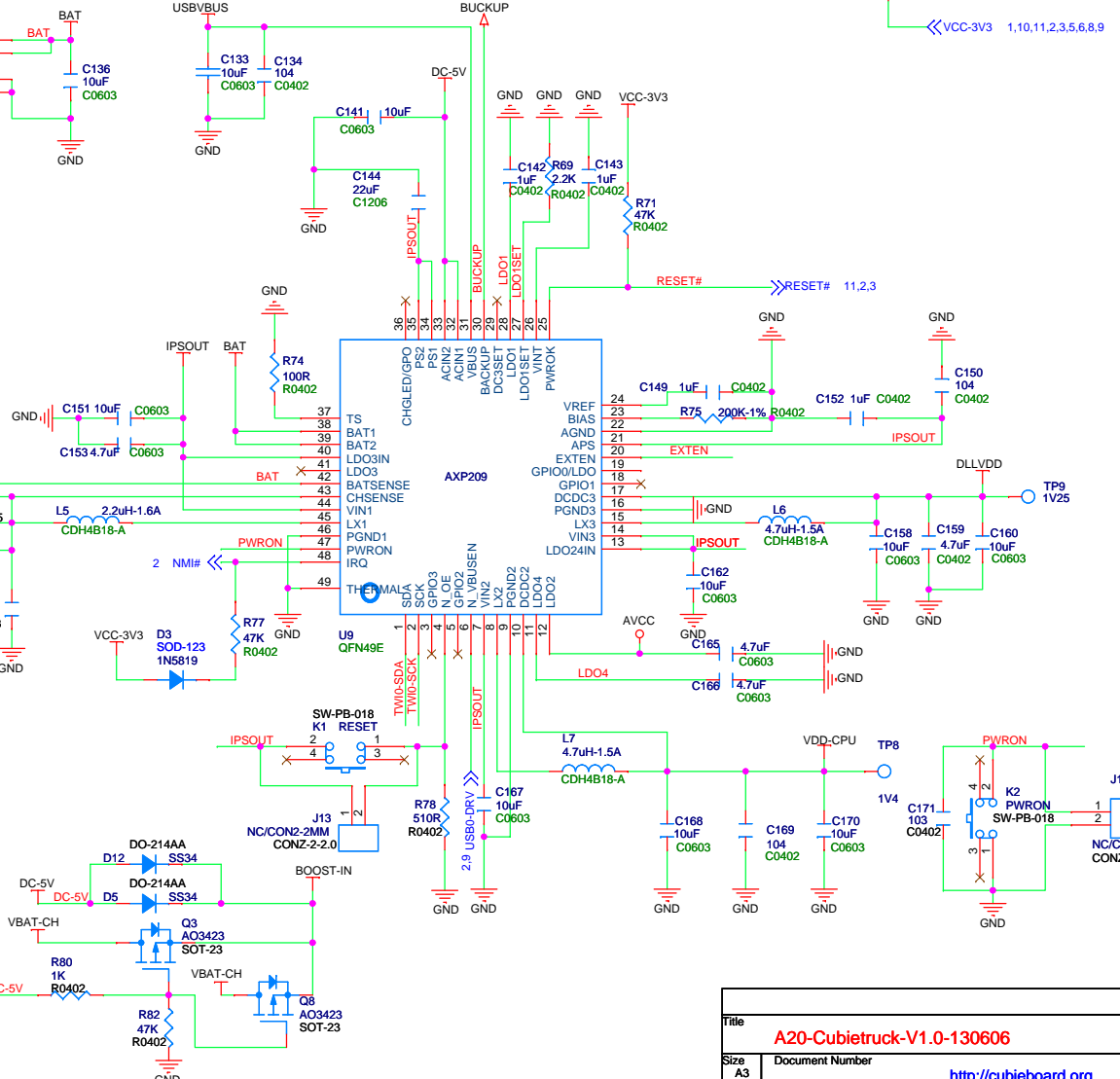
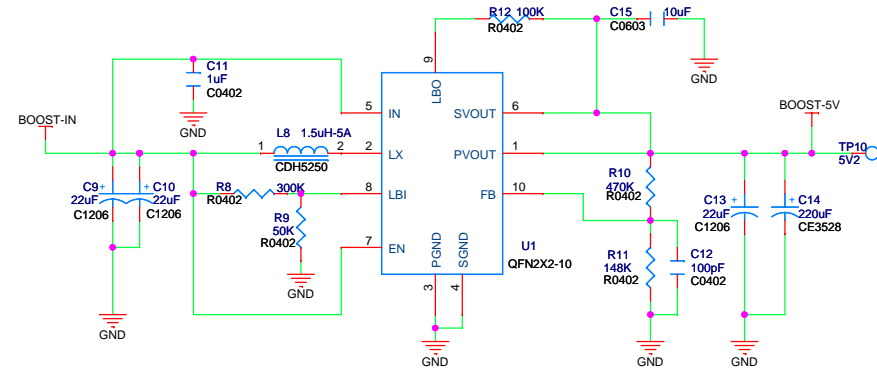
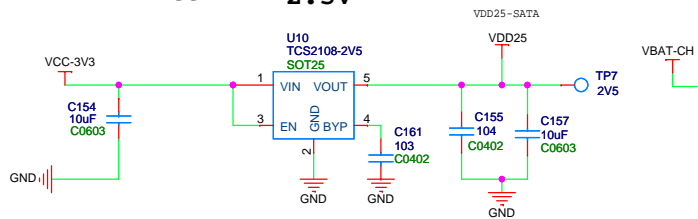


3.1V for IO



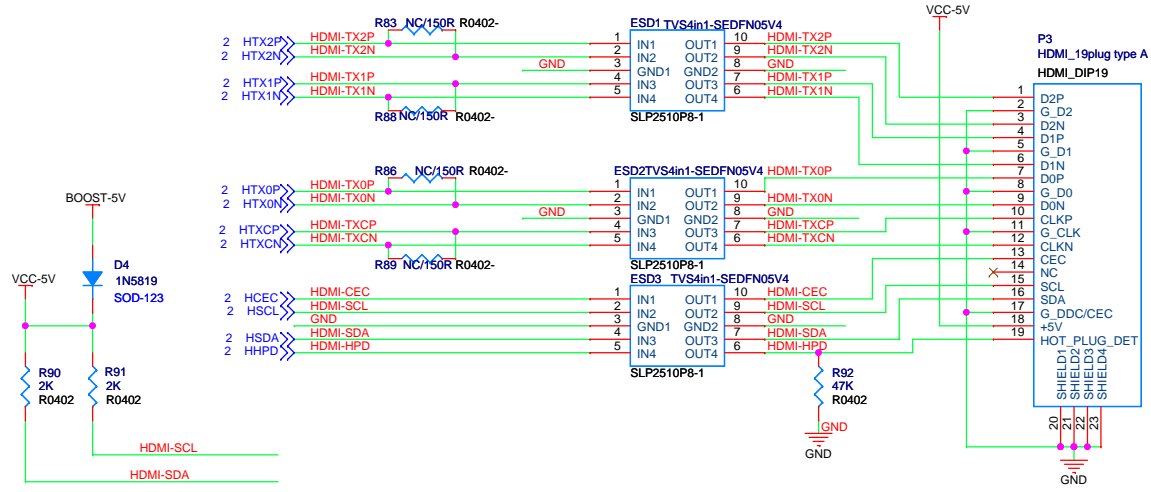
SATA-VCC

2.5V

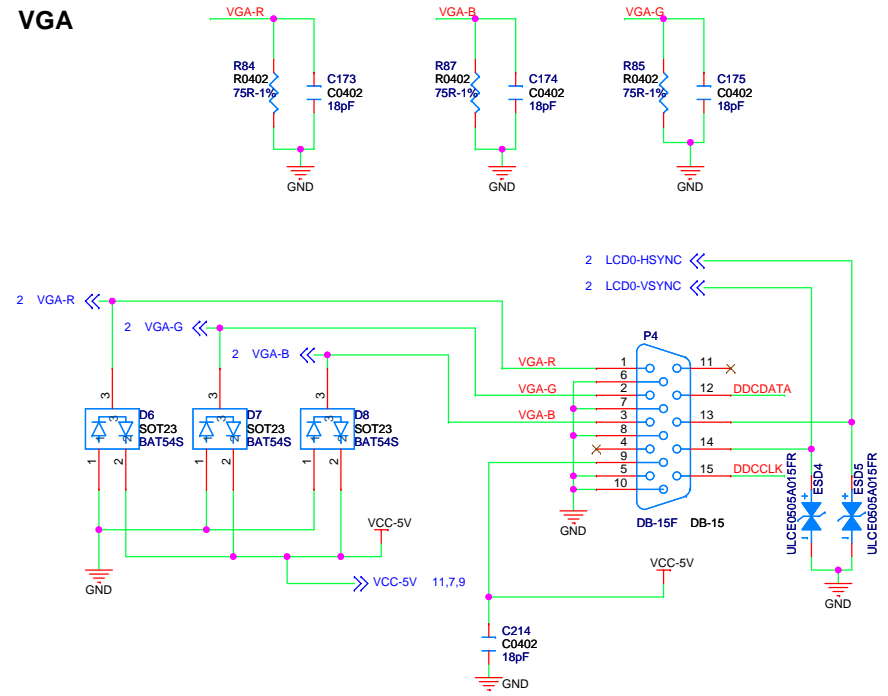


Title			A20-Cubietruck-V1.0-130606		
Size	Document Number		http://cubieboard.org		
A3			Rev V1.0		
Date:			Sheet 7 of 11		

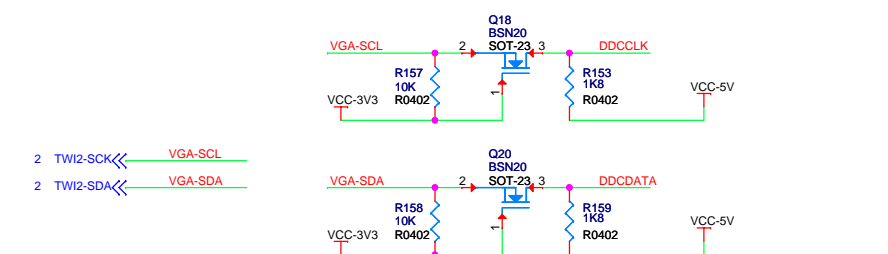
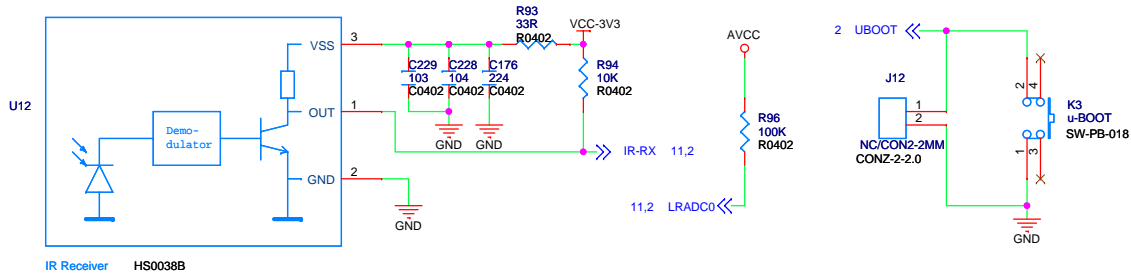
HDMI



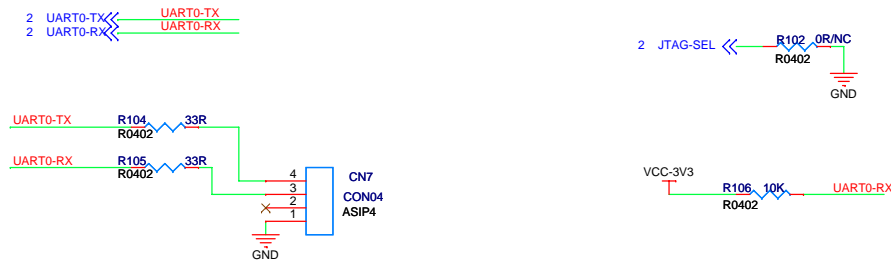
VGA



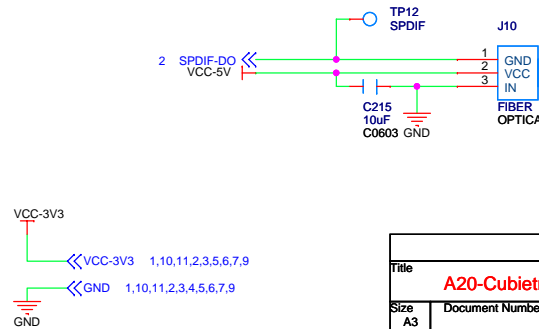
IR MODULE



DEBUG

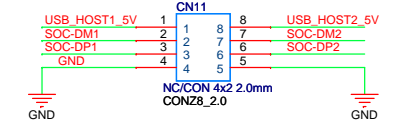
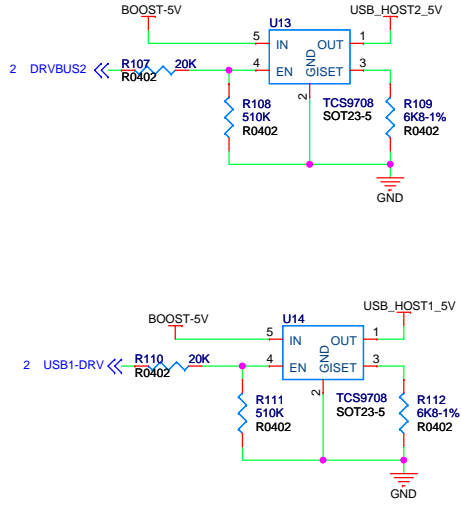
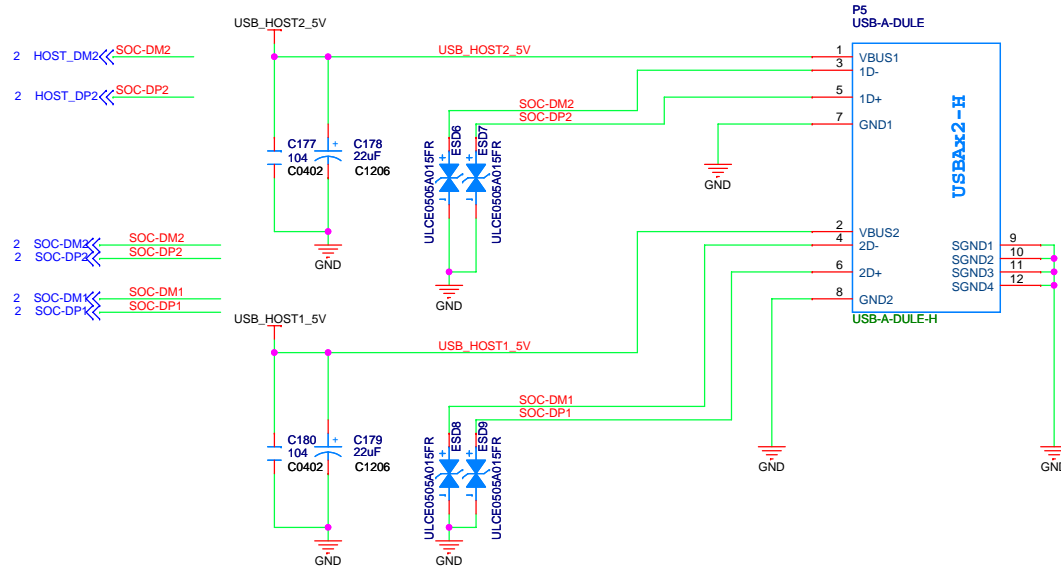


SPDIF

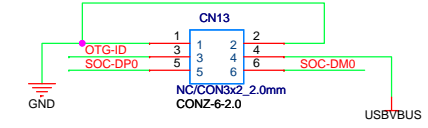
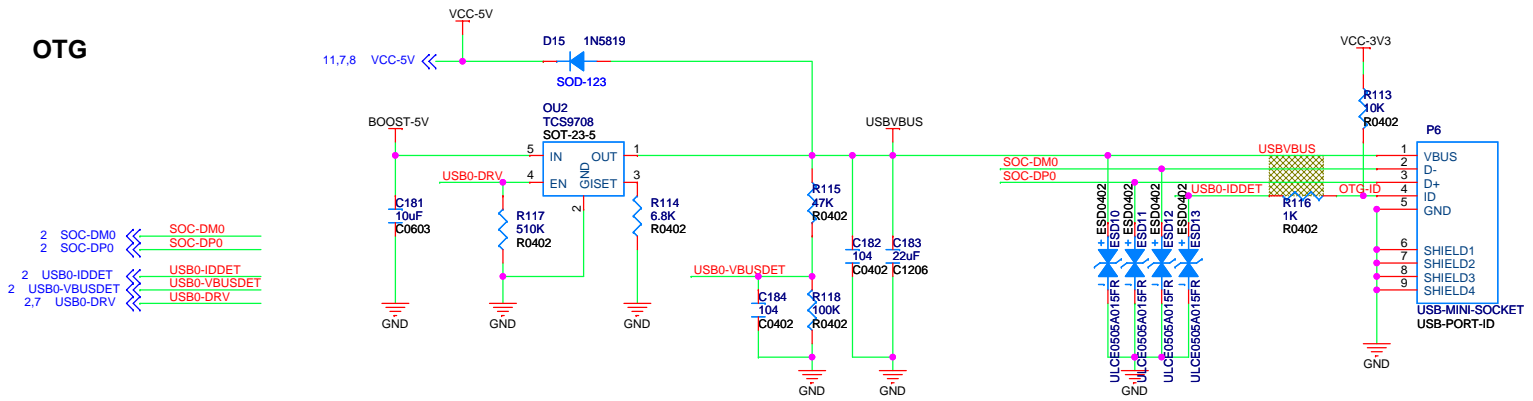


Title			A20-Cubietruck-V1.0-130606
Size	Document Number	http://cubieboard.org	
A3		Rev	V1.0
Date:		Sheet	8 of 11

USB HOST x 2

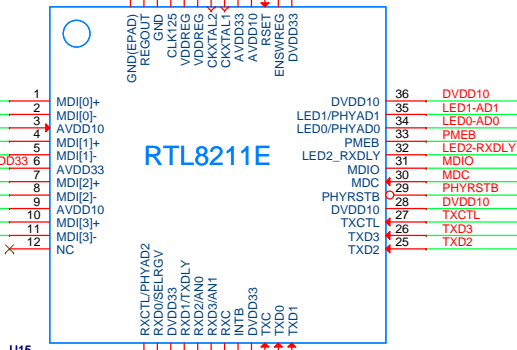
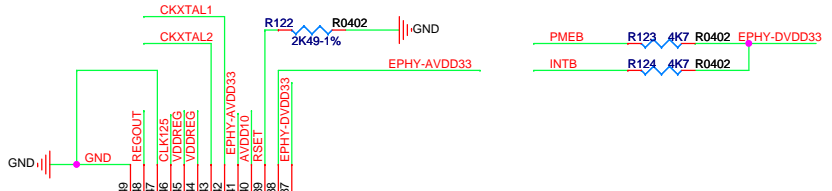
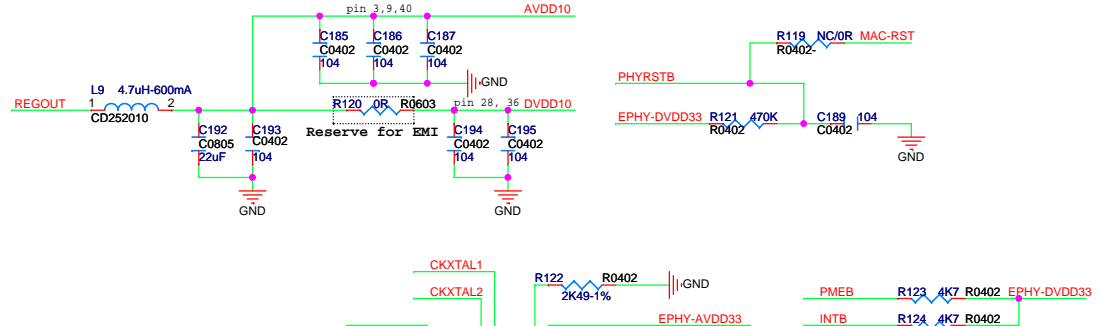
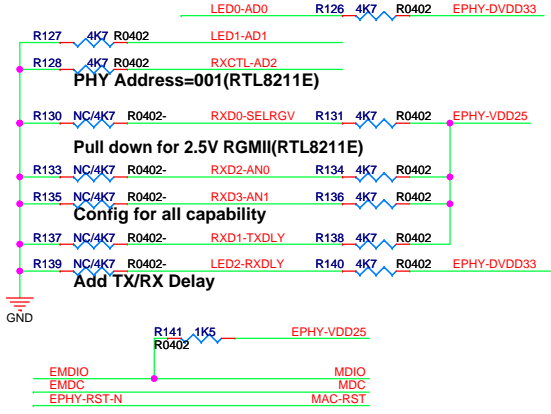
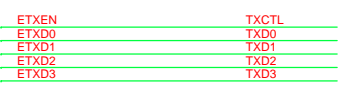
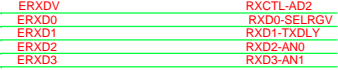
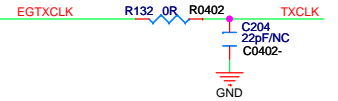
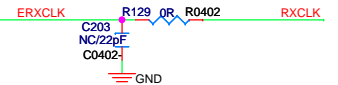
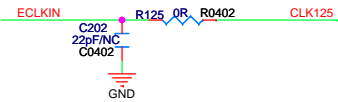
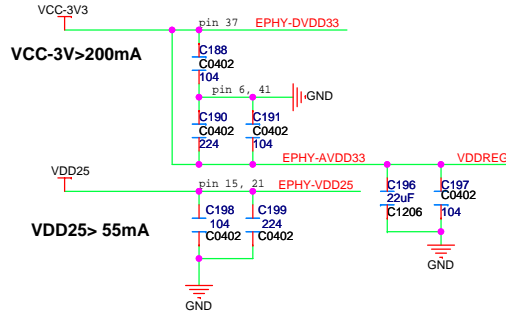
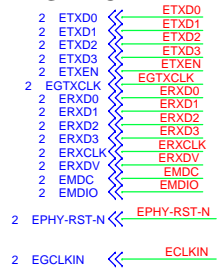


OTG

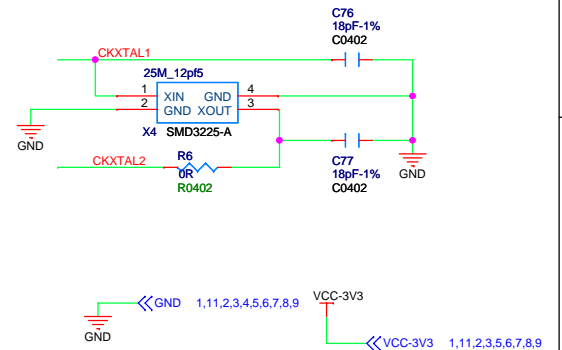
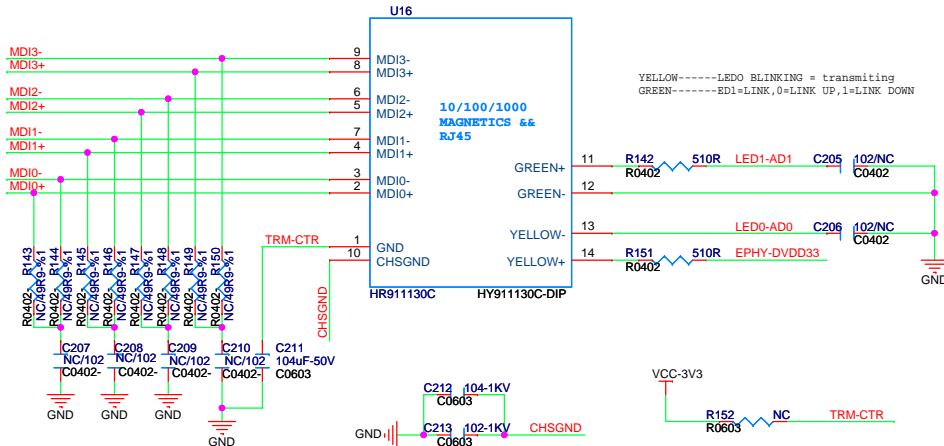


Title			A20-Cubietruck-V1.0-130606		
Size	Document Number		http://cubieboard.org		Rev
A3					V1.0
Date:			Sheet 9 of 11		

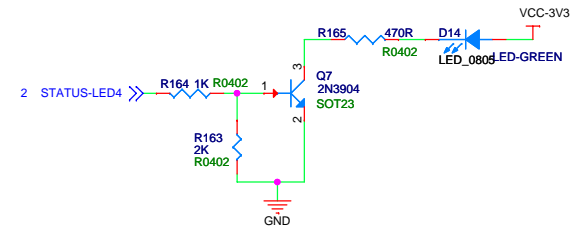
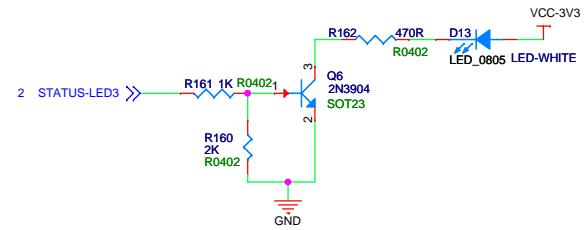
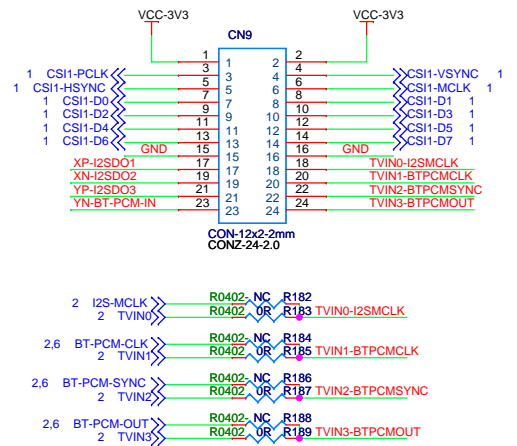
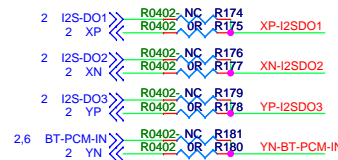
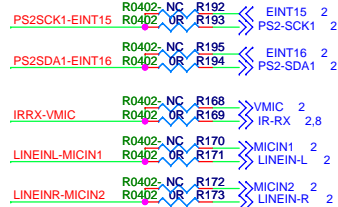
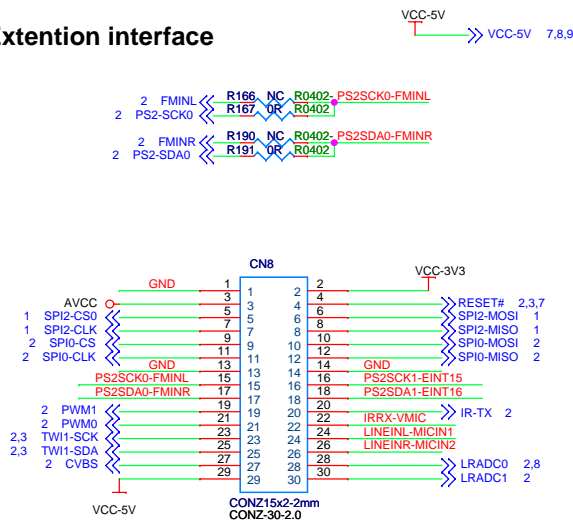
GMAC



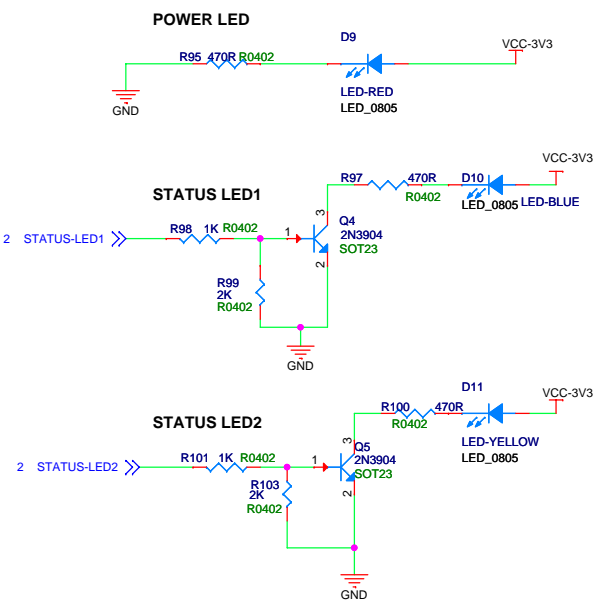
U15 RTL8211E-VB-CG QFN49-8211E



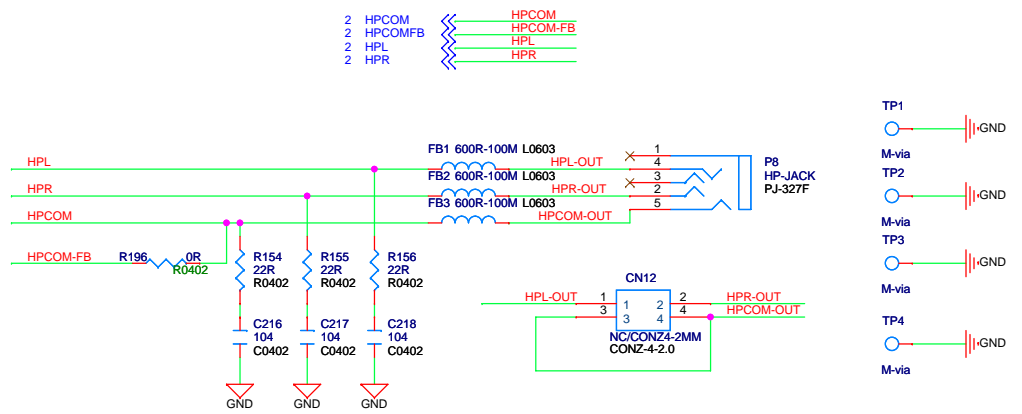
Extention interface



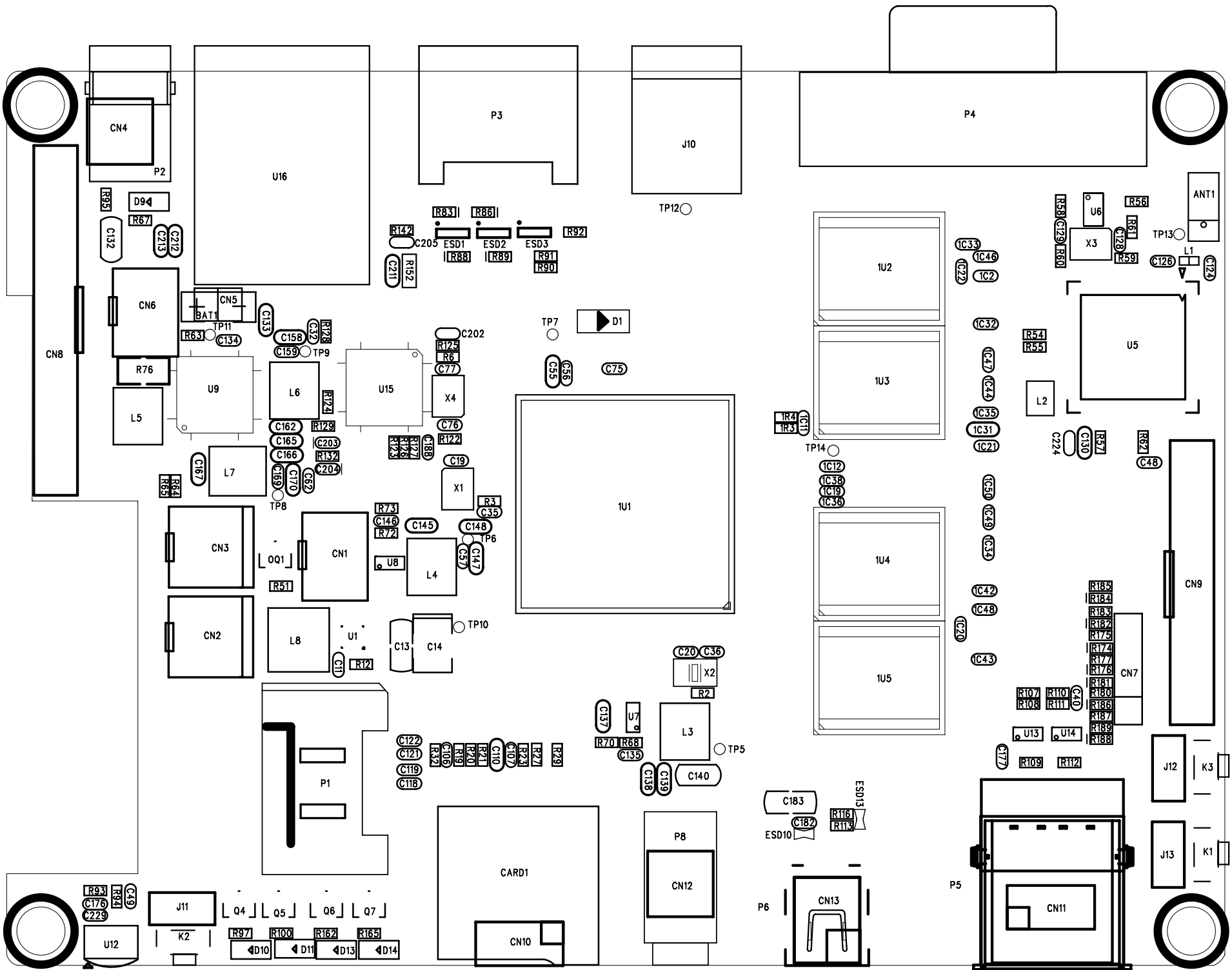
LEDs

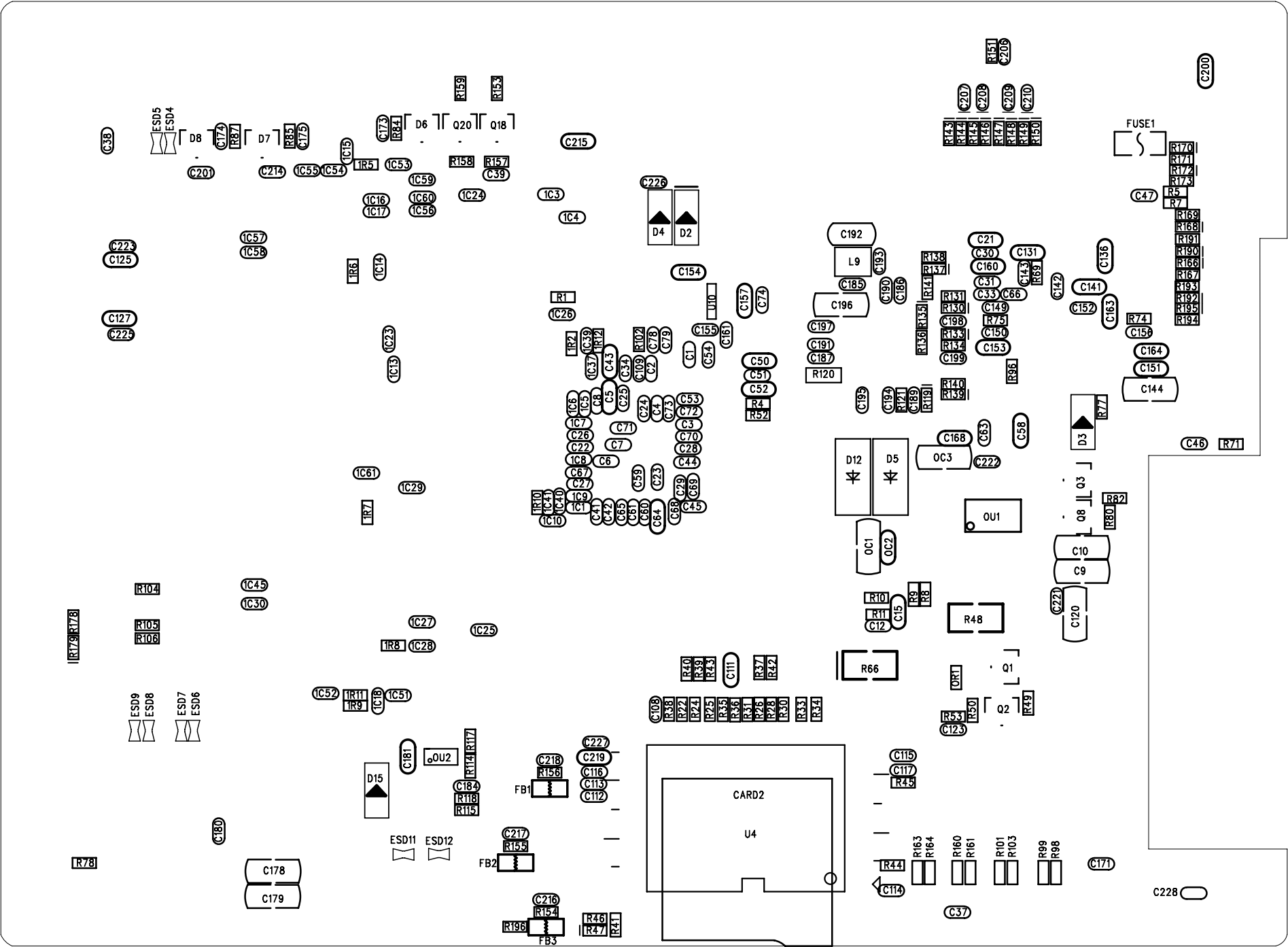


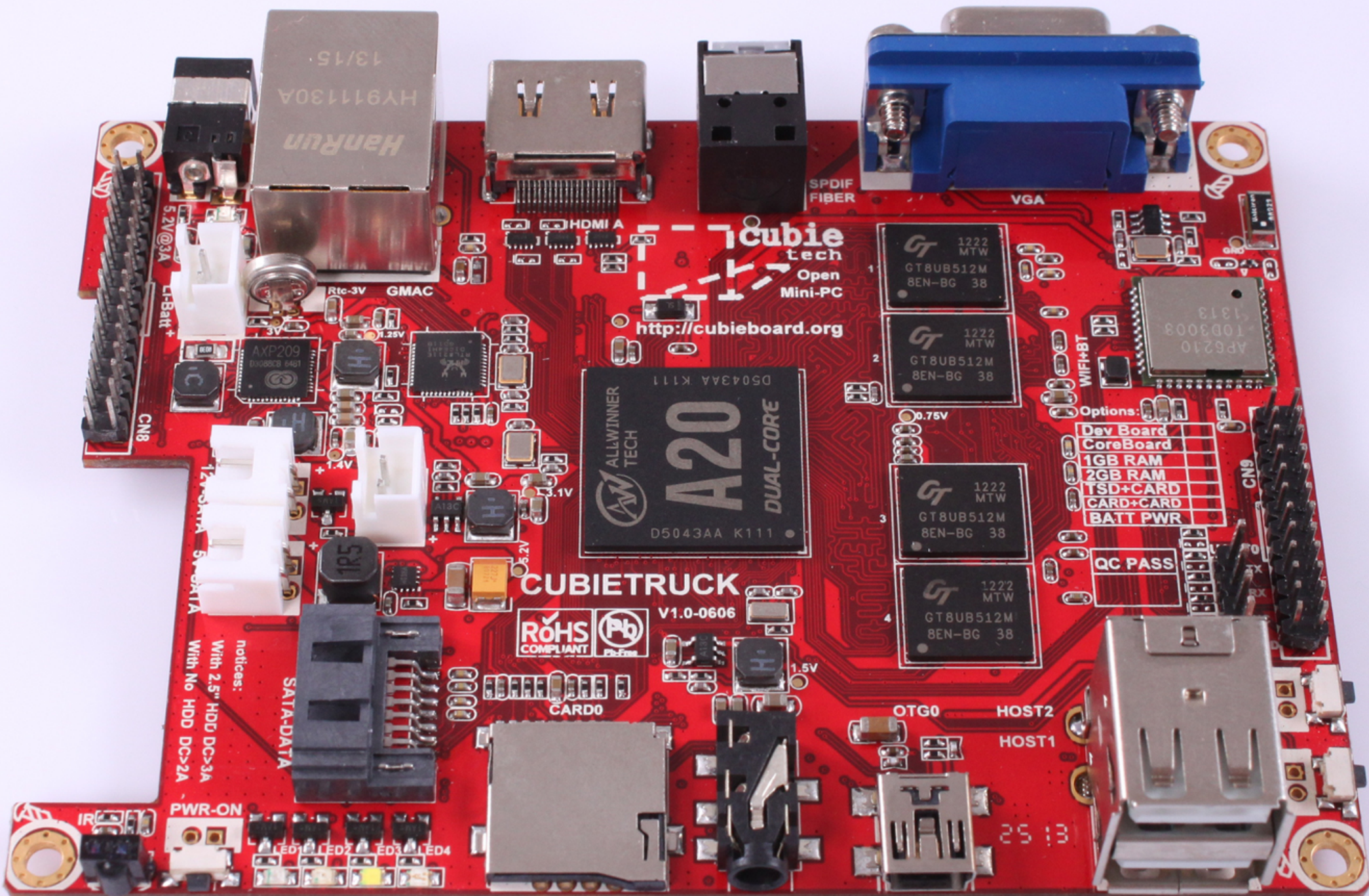
Head Phone & Speaker



Title		
A20-Cubietruck-V1.0-130606		
Size	Document Number	Rev
A3	http://cubieboard.org	V1.0
Date:	Sheet	11 of 11







HanRun
HY91130A
13/15

ALLWINNER
TECH
A20
DUAL-CORE
D5043AA K111

1
1222
MTW
GT8UB512M
8EN-BG 38

2
1222
MTW
GT8UB512M
8EN-BG 38

3
1222
MTW
GT8UB512M
8EN-BG 38

4
1222
MTW
GT8UB512M
8EN-BG 38

1313
-10D3008
AP6210

cubie
tech
Open
Mini-PC
<http://cubieboard.org>

CUBIETRUCK

V1.0-0606

ROHS
COMPLIANT
Pb-free

Options:
Dev Board
Core Board
1GB RAM
2GB RAM
TSD+CARD
CARD+CARD
BATT PWR

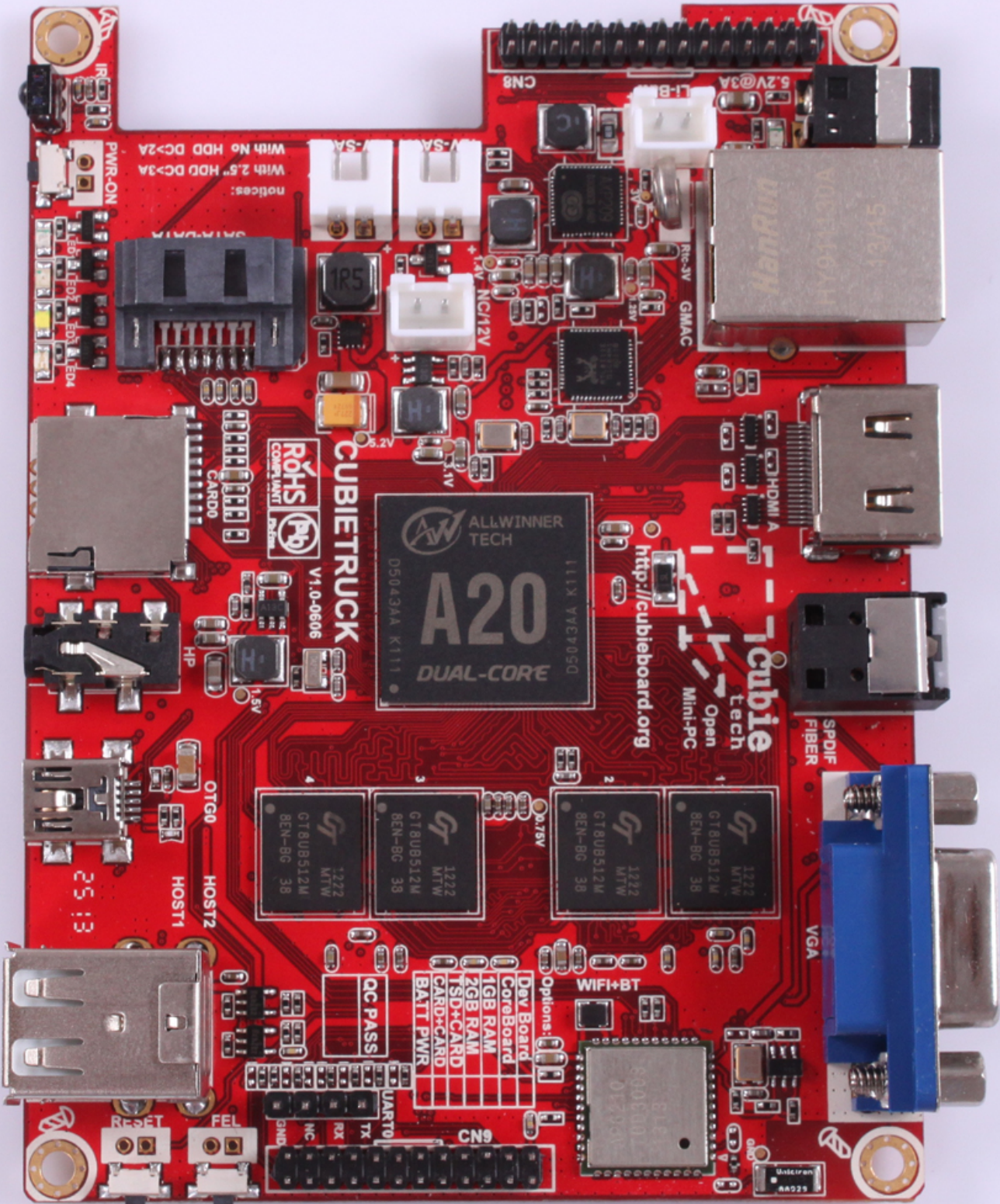
QC PASS

notices:
With 2.5" HDD DC>3A
With No HDD DC>2A

PWR-ON

LED1 LED2 LED3 LED4

25 13



<http://cubieboard.org>

Cubie
tech
Open
Mini-PC

ALLWINNER
TECH
A20
DUAL-CORE
D5043AA K111
1113 Y4C4052

CUBIEBOARD A20
Rohs
Compliant
V1.0-0606

notices:
With 2.5" HDD DC>3A
With No HDD DC>2A

- Options:
- Dev Board
 - Core Board
 - 1GB RAM
 - 2GB RAM
 - TSD+CARD
 - CARD+CARD
 - BAIT PWR
 - OC PASS

VGA
SPDIF
FIBER

25:13