

FEATURES

Single-ended-to-differential converter

Ultralow distortion

120 dBc THD @ 10 kHz

Low noise

97 dB SNR @ 100 kHz, $V_o = 4$ V p-p

Extremely low power

2.1 mA (3 V supply)

High input impedance

Easy-to-use gain adjustment

No external components for $G = +2$

External resistors can be used for additional gain

High speed

32 MHz, -3 dB bandwidth ($G = +2$)

Fast settling time

Rail-to-rail output

Disable

Wide supply voltage range: 2.7 V to 12 V

Available in space-saving packaging: 3 mm \times 3 mm LFCSP

APPLICATIONS

Single supply data acquisition systems

Instrumentation

Process control

Battery-power systems

Medical instruments

GENERAL DESCRIPTION

The ADA4941-1 is a low power, differential driver for 16- to 18-bit ADCs. Configured in an easy-to-use, single-ended-to-differential $G = +2$ configuration, the ADA4941-1 requires no external components to drive ADCs with differential inputs provided that the IN- pin is tied to the OUT+ pin. A resistive network around the IN- pin can be used for additional gain as needed. The ADA4941-1 provides essential benefits, such as low distortion and high SNR, that are required for driving high resolution ADCs.

With a wide input voltage range (0 V to 4 V on a single 5 V supply), rail-to-rail output, and high input impedance, the ADA4941-1 is designed to drive single-supply ADCs found in a variety of low power applications, including battery-operated instruments and single-supply data acquisition systems.

FUNCTIONAL BLOCK DIAGRAM

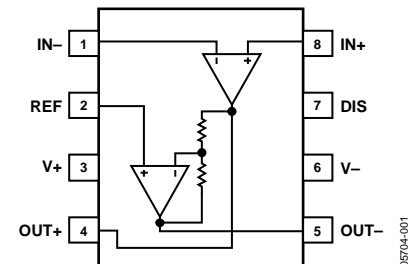


Figure 1.

05704-001

The ADA4941-1 is manufactured on ADI's proprietary 2nd generation XFCB process that enables the single-ended-to-differential converter to achieve 18-bit performance using only 2.1 mA of supply current.

The ADA4941-1 is ideal for driving 16- to 18-bit differential PulSAR™ ADCs such as the AD7690 and AD7691.

The ADA4941-1 is available in a small 8 lead LFCSP packaging as well as 8-lead SOIC packaging. The ADA4941-1 is rated to work over the extended industrial temperature range, -40°C to $+125^{\circ}\text{C}$.

Rev. PrA

Information furnished by Analog Devices is believed to be accurate and reliable. However, no responsibility is assumed by Analog Devices for its use, nor for any infringements of patents or other rights of third parties that may result from its use. Specifications subject to change without notice. No license is granted by implication or otherwise under any patent or patent rights of Analog Devices. Trademarks and registered trademarks are the property of their respective owners.

TABLE OF CONTENTS

Features	1	Specifications	3
Applications.....	1	Outline Dimensions	6
Functional Block Diagram	1	Ordering Guide	6
General Description	1		

REVISION HISTORY

10/05—Revision PrA: Preliminary Version

SPECIFICATIONS

$T_A = 25^\circ\text{C}$, $V_S = 3\text{ V}$, unless otherwise noted.

Table 1.

Parameter	Conditions	Min	Typ	Max	Unit
DYNAMIC PERFORMANCE					
–3 dB Bandwidth	$V_O = 0.1\text{ V p-p}$		30		MHz
	$V_O = 2.0\text{ V p-p}$		6.6		MHz
Overdrive Recovery Time			300		ns
Slew Rate	$V_O = 2\text{ V step}$		22.5		V/ μs
Settling Time 0.0004%	$V_O = 2\text{ V p-p step}$		0.3		μs
NOISE/DISTORTION PERFORMANCE					
THD	$f_c = 10\text{ kHz}$, $V_O = 2\text{ V p-p}$		105		dBc
	$f_c = 1\text{ MHz}$, $V_O = 2\text{ V p-p}$		57		dBc
SNR	$f_c = 100\text{ kHz}$, $V_O = 2\text{ V p-p}$		91		dB
RTO Voltage Noise	$f = 100\text{ kHz}$				nV/ $\sqrt{\text{Hz}}$
Input Current Noise	$f = 100\text{ kHz}$		1		pA/ $\sqrt{\text{Hz}}$
DC PERFORMANCE					
Differential Input Offset Voltage			0.2	.5	mV
Differential Input Offset Voltage Drift					$\mu\text{V}/^\circ\text{C}$
Common-Mode Offset Voltage					mV
Common-Mode Offset Voltage Drift					$\mu\text{V}/^\circ\text{C}$
Input Bias Current	IN and REF		2.2		μA
Input Offset Current	IN and REF		0.2		μA
Gain	$(+OUT - -OUT)/(IN - REF)$		2		V/V
Gain Error			0.1		%
Gain Error Drift			0.01		$\%/^\circ\text{C}$
INPUT CHARACTERISTICS					
Input Resistance	IN and REF		12		M Ω
Input Capacitance	IN and REF		2		pF
Input Common-Mode Voltage Range		0.1		2	V
Common-Mode Rejection Ratio	$V_{CM} = \pm 2.5\text{ V}$		110		dB
OUTPUT CHARACTERISTICS					
Output Voltage Swing: VON	$R_L = 1\text{ k}\Omega$		0.1 to 2.9		V
	$R_L = 1\text{ k}\Omega$		0.1 to 2.9		V
Output Current			25		mA
Capacitive Load Drive					pF
POWER SUPPLY					
Operating Range		2.7		12	V
Quiescent Current			2.1		mA
Quiescent Current—Disable			30		μA
Power Supply Rejection Ration	+PSRR		110		dB
	–PSRR		110		dB
DISABLE					
V_{DIS} High			1.8		V
V_{DIS} Low			1.6		V
Input Current $V_{DIS} = \text{HIGH/LOW}$			5/10		μA
Turn-On Time			30		μs
Turn-Off Time			0.65		μs

T_A = 25°C, V_S = 5 V, unless otherwise noted.

Table 2.

Parameter	Conditions	Min	Typ	Max	Unit
DYNAMIC PERFORMANCE					
-3 dB Bandwidth	V _O = 0.1 V p-p		31		MHz
	V _O = 2.0 V p-p		7.0		MHz
Overdrive Recovery Time	0 V to 5 V step overdrive		350		ns
Slew Rate	V _O = 2 V step		25		V/μs
Settling Time 0.0004%	V _O = 6 V p-p step		610		ns
NOISE/DISTORTION PERFORMANCE					
THD	f _c = 10 kHz, V _O = 2 V p-p		120		dBc
	f _c = 1 MHz, V _O = 2 V p-p		72		dBc
SNR	f _c = 100 kHz, V _O = 4 V p-p, fb = 2 MHz		97		dB
RTO Voltage Noise	f = 100 kHz				nV/√Hz
Input Current Noise	f = 100 kHz				pA/√Hz
DC PERFORMANCE					
Differential Input Offset Voltage			0.2	.5	mV
Differential Input Offset Voltage Drift					μV/°C
Common-Mode Offset Voltage			0.1	.25	mV
Common-Mode Offset Voltage Drift					μV/°C
Input Bias Current	IN and REF		2.2		μA
Input Offset Current	IN and REF		0.2		μA
Gain	(OUT+ - OUT-)/(IN+ - REF)		2		V/V
Gain Error			0.1		%
Gain Error Drift			0.01		%/°C
INPUT CHARACTERISTICS					
Input Resistance	IN and REF		12		MΩ
Input Capacitance	IN and REF		2		pF
Input Common-Mode Voltage Range		0.1		4	V
Common-Mode Rejection Ratio	V _{CM} = ±2.5 V		110		dB
OUTPUT CHARACTERISTICS					
Output Voltage Swing: OUT-	R _L = 1 kΩ		0.1 to 4.9		V
OUT+	R _L = 1 kΩ		0.1 to 4.9		V
Output Current			30		mA
Capacitive Load Drive					pF
POWER SUPPLY					
Operating Range		2.7		12	V
Quiescent Current			2.2		mA
Quiescent Current—Disable			40		μA
Power Supply Rejection Ration					
+PSRR			110		dB
-PSRR			110		dB
DISABLE					
V _{DIS} High			3.8		V
V _{DIS} Low			3.6		V
Input Current V _{DIS} = HIGH/LOW			5/12		μA
Turn-On Time			30		μs
Turn-Off Time			0.65		μs

T_A = 25°C, V_S = ±5 V, unless otherwise noted.

Table 3.

Parameter	Conditions	Min	Typ	Max	Unit
DYNAMIC PERFORMANCE					
-3 dB Bandwidth	V _O = 0.1 V p-p		32.5		MHz
	V _O = 2.0 V p-p		7.5		MHz
Overdrive Recovery Time	-5 V to +5 V step overdrive		400		ns
Slew Rate	V _O = 2 V step		26.5		V/μs
Settling Time 0.0005%	V _O = 12 V p-p step		980		ns
NOISE/DISTORTION PERFORMANCE					
THD	f _C = 10 kHz, V _O = 2 V p-p		120		dBc
	f _C = 1 MHz, V _O = 2 V p-p		74		dBc
SNR	f _C = 100 kHz, V _O = 4 V p-p, f _b = 2 MHz		97		dB
RTO Voltage Noise	f = 100 kHz				nV/√Hz
Input Current Noise	f = 100 kHz, IN+ and REF				pA/√Hz
DC PERFORMANCE					
Differential Input Offset Voltage			0.2	0.5	mV
Differential Input Offset Voltage Drift					μV/°C
Common-Mode Offset Voltage			0.1	0.25	mV
Common-Mode Offset Voltage Drift					μV/°C
Input Bias Current	IN+ and REF		2.2		μA
Input Offset Current	IN+ and REF		0.2		μA
Gain	(OUT+ - OUT-)/(IN+ - REF)		2		V/V
Gain Error			0.1		%
Gain Error Drift			0.01		%/°C
INPUT CHARACTERISTICS					
Input Resistance	IN+ and REF		12		MΩ
Input Capacitance	IN+ and REF		2		pF
Input Common-Mode Voltage Range		-4.9		+4	V
Common-Mode Rejection Ratio	V _{CM} = ±2.5 V		110		dB
OUTPUT CHARACTERISTICS					
Output Voltage Swing: OUT-	R _L = 1kΩ		-4.9 to +4.9		V
	R _L = 1kΩ		-4.9 to +4.9		V
Output Current			40		mA
Capacitive Load Drive					pF
POWER SUPPLY					
Operating Range		2.7		12	V
Quiescent Current			2.5		mA
Quiescent Current—Disable			50		μA
Power Supply Rejection Ration	+PSRR		110		dB
	-PSRR		110		dB
DISABLE					
V _{DIS} High			3.8		V
V _{DIS} Low			3.6		V
Input Current V _{DIS} = HIGH/LOW			5/16		μA
Turn-On Time			30		μs
Turn-Off Time			0.65		μs

OUTLINE DIMENSIONS

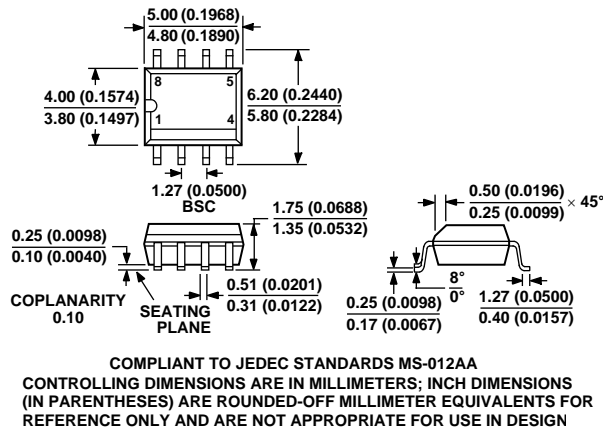


Figure 1. 8-Lead Standard Small Outline Package Narrow Body [SOIC] (R-8)—Dimensions shown in millimeters and (inches)

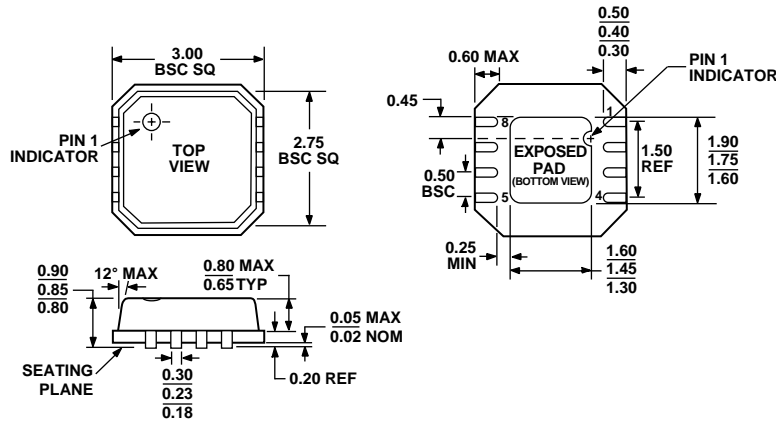


Figure 2. 8-Lead Lead Frame Chip Scale Package [LFCS], 3 mm × 3 mm Body (CP-8-2)—Dimensions shown in millimeters

ORDERING GUIDE

Model	Temperature Range	Package Description	Package Option	Branding
ADA4941-1YRZ ¹	-40°C to +125°C	8-Lead Small Outline Package (SOIC)	R-8	
ADA4941-1YRZ-RL ¹	-40°C to +125°C	8-Lead Small Outline Package (SOIC)	R-8	
ADA4941-1YRZ-R7 ¹	-40°C to +125°C	8-Lead Small Outline Package (SOIC)	R-8	
ADA4941-1YCPZ-R2 ¹	-40°C to +125°C	8-Lead Lead Frame Chip Scale Package (LFCS)	CP-8-2	H9C
ADA4941-1YCPZ-RL ¹	-40°C to +125°C	8-Lead Lead Frame Chip Scale Package (LFCS)	CP-8-2	H9C
ADA4941-1YCPZ-R7 ¹	-40°C to +125°C	8-Lead Lead Frame Chip Scale Package (LFCS)	CP-8-2	H9C

¹ Z = Pb-free part.