

AN5625N

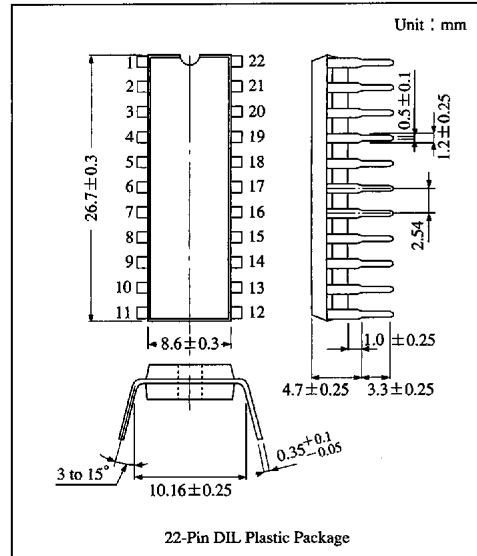
TV PAL/NTSC/M-NTSC Chrominance-Signal Processing IC

Overview

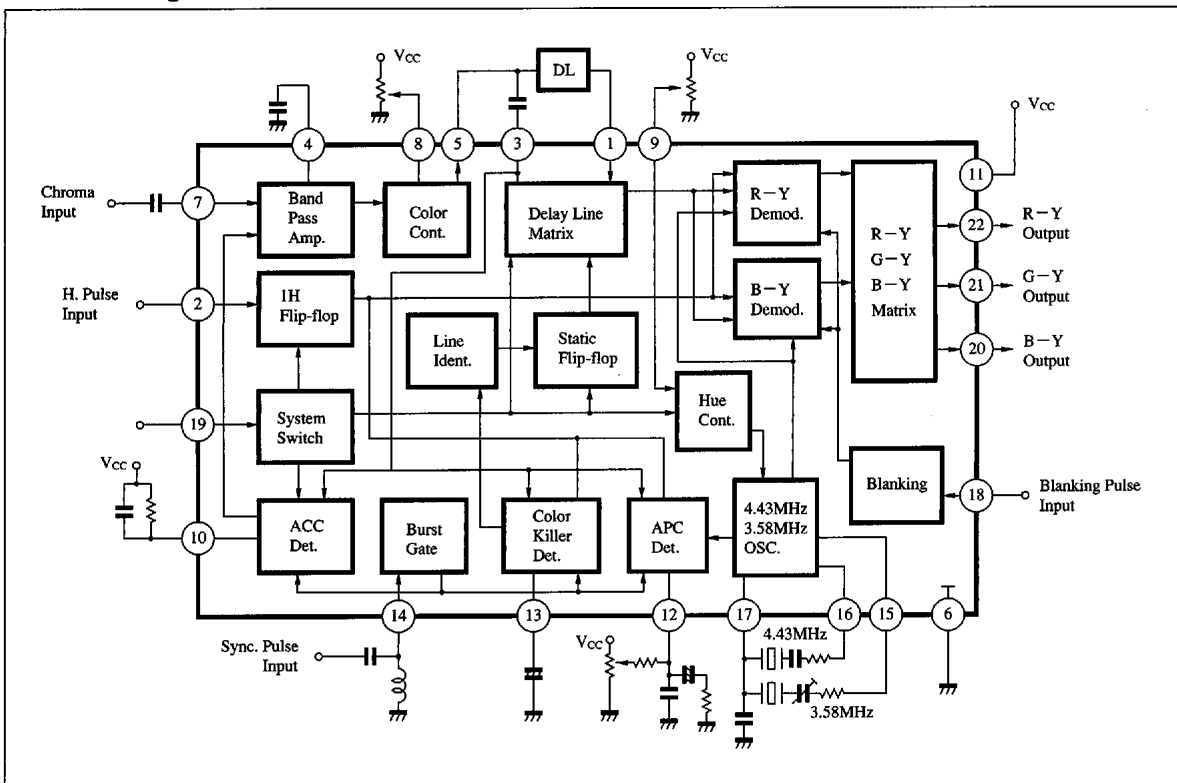
The AN5625N is an integrated circuit designed for color TV chrominance-signal processing circuit.

Features

- A PAL/NTSC/M-NTSC system demodulator is possible in combination with the AN5615
- 4-system demodulator is possible in combination with the AN5615 and the AN5635N



Block Diagram



6932852 0014375 031

Panasonic

Pin Descriptions

Pin No.	Pin name	Pin No.	Pin name
1	Chroma sig. input (DLIH)	12	APC filter
2	H. pulse input	13	Color killer filter
3	Chroma sig. input	14	Burst gate pulse input
4	Chroma by-pass	15	3.58MHz OSC
5	Chroma sig. output	16	4.43MHz OSC
6	GND	17	OSC input
7	Chroma sig. input	18	BLK pulse input
8	Color control	19	System SW.
9	Tint control	20	B-Y output
10	ACC filter	21	G-Y output
11	V _{CC}	22	R-Y output

Absolute Maximum Ratings (T_a=25°C)

Parameter	Symbol	Rating	Unit
Supply voltage	V _{CC}	14.4	V
Circuit current	I _{CC}	83	mA
Power dissipation	P _D	1200	mW
Temperature	Operating ambient temperature	T _{opr}	-20 to +70
	Storage Temperature	T _{stg}	-55 to +150

ICs for TV

Electrical Characteristics (T_a=25°C)

Parameter	Symbol	Condition	min	typ	max	Unit
Total circuit current	I _{tot}	V _{CC} =12V	40	54	69	mA
Pin① voltage	V ₁₋₆	V _{CC} =12V	2.3	2.8	3.3	V
Pin③ voltage	V ₃₋₆	V _{CC} =12V	2.3	2.8	3.3	V
Pin⑤ voltage	V ₅₋₆	V _{CC} =12V	8.0	8.5	9.0	V
Pin⑦ voltage	V ₇₋₆	V _{CC} =12V	0.8	1.3	1.8	V
Max. output voltage (R-Y)	e _o	Color bar input 150mV _{P-P} , Color max. Pin⑩=V _{CC}	7.5	8.0	—	V _{P-P}
Output voltage (R-Y)	e _{o2}	Color bar input 150mV _{P-P} , Color typ	2.25	3.0	3.75	V _{P-P}
Ratio of demodulated signals (R-Y)/(B-Y)	R/B	⑦=4.43MHz 100mV _{P-P} ⑩=4.44MHz 500mV _{P-P}	0.72	0.83	0.9	times
Ratio of demodulated signals (G-Y)/(B-Y)	G/B	⑦=4.43MHz 100mV _{P-P} ⑩=4.44MHz 500mV _{P-P}	0.31	0.37	0.42	times
Phase difference between (R-Y) and (B-Y) signals	∠R	⑦=4.43MHz 100mV _{P-P} ⑩=4.44MHz 500mV _{P-P} ∠B=0	86.5	90.0	93.5	deg.
Phase difference between (G-Y) and (B-Y) signals	∠G	⑦=4.43MHz 100mV _{P-P} ⑩=4.44MHz 500mV _{P-P} ∠B=0	229	236	244	deg.
PAL color killer level	e _{K(PAL)}	Color bar 150mV _{P-P} , (=0dB) Color center	38	43	48	dB
NTSC color killer level	e _{K(NTSC)}	Color bar 150mV _{P-P} , (=0dB) Color center, Tint center	39	44	49	dB
DC output voltage	E _{C-Y}	No signal input	6.9	7.35	7.8	V
Tint center	θ	Color bar 150mV _{P-P} , Color typ, Tint typ	—	0	±7	deg.
Tint variable range	Δθ	Color typ, Tint max. to min.	±35	±45	±55	deg.

6932852 0014376 T78

Panasonic

