

## APS-60-12 (12V, 5A, 60W)



### Features:

- Constant voltage design
- Universal AC input/Full range
- Fully encapsulated
- Withstand 300VAC surge input for 5 seconds
- Protections: Short Circuit/Over current/Over voltage
- Pass LPS test
- Cooling by free air convection
- 100% full load burn-in test
- Low cost, high reliability
- Suitable for LED lighting and moving sign applications
- 2 years warranty

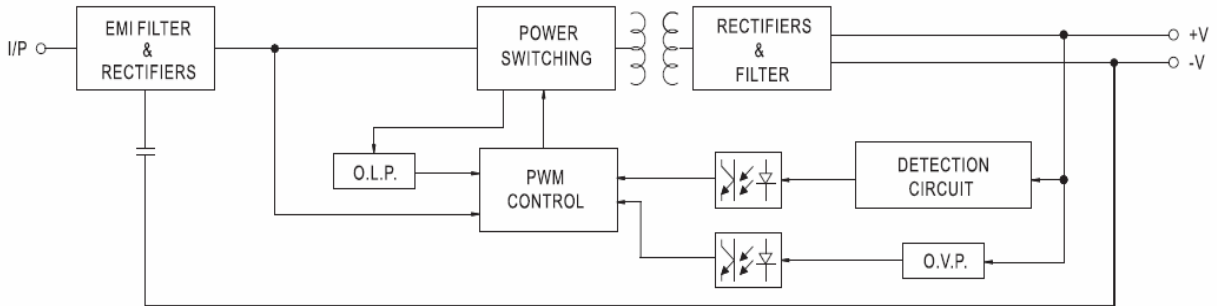
### Parameters:

OUTPUT	DC VOLTAGE	12V
	RATED CURRENT	5A
	CURRENT RANGE	0~5A
	RATED POWER	60W
	RIPPLE&NOISE(MAX)	120mVp-p
	VOLTAGE TOLERANCE	±5%
	LINE REGULATION	±1%
	LOAD REGULATION	±2%
	SETUP,RISE TIME	200ms 100ms,20ms
	HOLD UP TIME(Typ.)	50MS/230VAC
INPUT	VOLTAGE RANGE	170-264VAC 240-370VDC
	FREQUENCY RANGE	47-63Hz
	EFFICIENCY(Typ)	80%
	AC CURRENT	1.8A/110V 0.9A/230V
	INRUSH CURRENT(MAX)	Cold-start current 36A/230V
	LEAKAGE CURRENT	<1mA/240VAC
PROTECTION	OVER CURRENT	105-135% rated output power Protection type: Hiccup model,recovers automatically after fault condition is removed
	OVER VOLTAGE	protection type: Shut down o/p voltage, re-power on to recover
ENVIRONMENT	WORKING TEMP.	-10°C ~ +60°C
	WORKING HUMIDITY	20% ~ 90%RH non-condensing
	STORAGE TMP.,HUMIDITY	-40°C ~ +80°C, 10-95%RH
	TEMP.COEFFICIENT	±0.03%/°C(0-50°C)
	VIBRATION	10-500HZ,2G 10Mins /1cycle,period for 60mins,each along X,Y,Z axes
SAFETY EMC	SAFETY STANDARDS	
	WITHSTAND VOLTAGE	I/P-O/P;1.5KVAC
	ISOLATION RESISTANCE	I/P-O/PI: > 100M Ohms/500VDC/25°C/70%RH
	EMC EMISSION	Compliance to EN 55022(CISPR22)CLASS b,EN61000-3-2 Class A,EN61000-3-3
	EMC IMMUNITY	Compliance to EN 61000-4-2.3.4.5.6.8.11,EN55024,light industry level criteria A

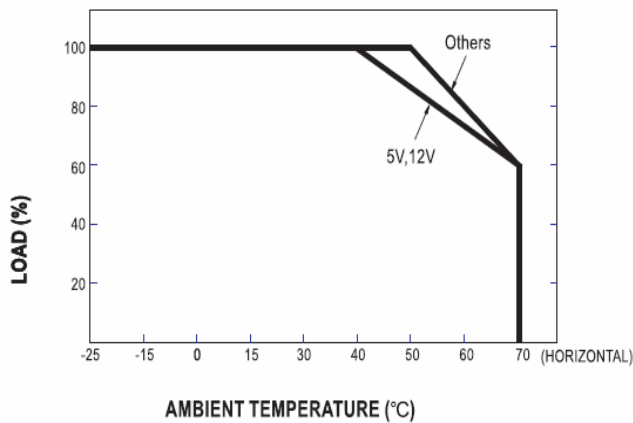
OTHERS	MTBF	
	DIMENSION	110*78*35MM(L*W*H)
	PACKING	430*278*227, 50PCS

- Note:**
1. All parameters NOT specially mentioned are measured at 230VAC input, rated load and 25°C of ambient temperature
  2. Ripple & noise are measured at 20MHz of bandwidth by using at 12" twisted pair-wire terminated with a 0.1uf & 47uf parallel capacitor.
  3. Derating may be needed under low input voltage, Please check the static characteristics for more details
  4. Tolerance: includes set up tolerance, line regulation and load regulation
  5. The power supply is considered as a component that will be operated in combination with final equipment. Since EMC Directive on the complete installation again.
  6. Length of set up time is measured at first cold start. Turning ON/OFF the power supply may lead to increase of the set up time
  7. The unit might not be suitable for lighting applications in EU countries. Please check with your local authorities for possible use of the unit
  8. Suitable for indoor use or outdoor use without direct sunling exposure

### Block Diagram:



### Derating Curve:



### Static Characteristics:

