

ARPV-LV12050 (12V, 4A, 50W) ARPV-LV24050 (24V, 2A, 50W)

Application

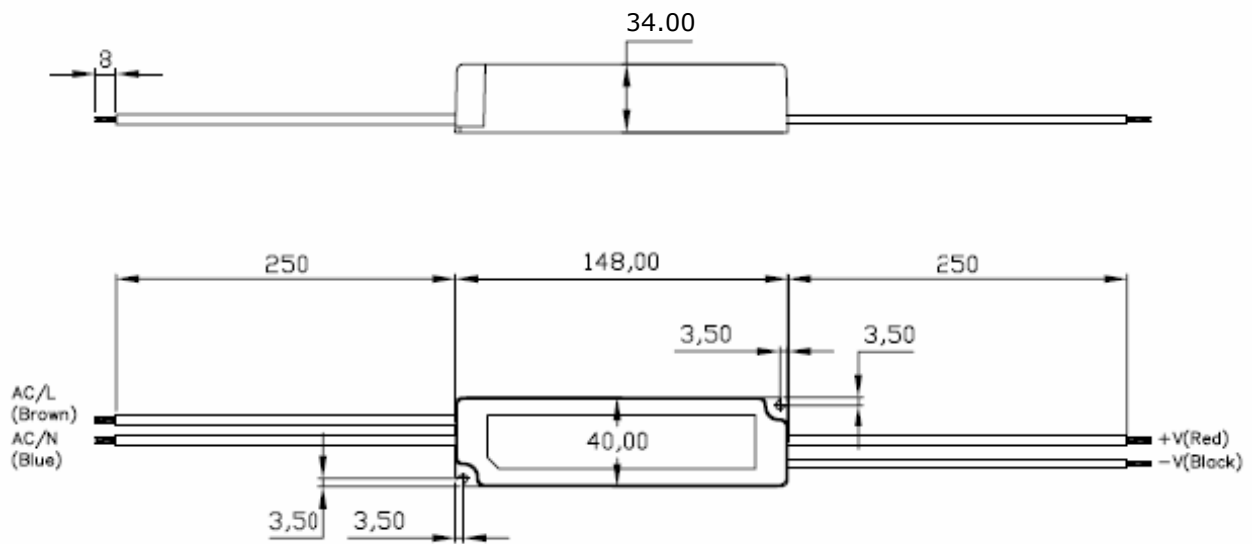
- Constant voltage mode power supply
- Universal AC input / Full range
- Protections: Short circuit / Over current / Over Voltage
- Small and compact size
- UL1310 Class 2 power unit
- 100% full load burn-in test
- Suitable for LED lighting and moving sign applications
- 2 years warranty



Specification

| MODEL | | ARPV-LV12050 (12V, 4A, 50W) | ARPV-LV24050 (24V, 2A, 50W) |
|--------------|-------------------------------|---|-----------------------------|
| OUTPUT | DC VOLTAGE | 12V | 24V |
| | RATED CURRENT | 4A | 2A |
| | CURRENT RANGE | 0~4A | 0~2A |
| | RATED POWER | 50W | |
| | RIPPLE & NOISE (max.) | 100mVp-p | 200mVp-p |
| | VOLTAGE TOLERANCE | ±3.0% | |
| | LINE REGULATION | ±1.0% | |
| | LOAD REGULATION | ±2.0% | |
| | SETUP,RISE TIME | 500ms,250ms/230VAC 500ms,250ms/115ac at full load | |
| | HOLD UP TIME (TYP.) | 50ms/230VAC 24ms/115VAC at full load | |
| INPUT | VOLTAGE RANGE | 100-240VAC | |
| | FREQUENCY RANGE | 47~63Hz | |
| | EFFICIENCY(Typ.) | 82% full load | 84% full load |
| | AC CURRENT | 1.0A/100VAC 0.60A/200A | |
| | INRUSH CURRENT (max.) | COLD STAT 70A/230VAC 35A/115VAC | |
| | LEAKAGE CURRENT | 0.25mA/240VAC | |
| PROTECTION | OVER CURRENT SHORT CIRCUIT | Above 150% ~200%rated output power or short circuit Protection type: Hiccup mode, recovers automatically after fault condition is removed. | |
| | OVER VOLTAGE | Protection type: Hiccup mode, recovers automatically after fault condition is removed. | |
| | OVER TEMPERATURE | Tj 140°C typically(IC1) Detect on main control IC | |
| | | Protection type: Hiccup mode, recovers automatically after temperature goes down | |
| ENVIRONMENT | WORKING TEMP. | -20~+50°C | |
| | WORKING HUMIDITY | 20~90% RH non-condensing | |
| | STORAGE TEMP., HUMIDITY | -40~+80°C, 10°C~95% RH | |
| | TEMP.COEFFICIENT | ±0.03%/°C (0°C~50°C) | |
| | VIBRATION | 10 ~ 500Hz, 2G 10min./1cycle, period for 60min. each along X,Y, Zaxes | |
| SAFETY & EMC | SAFETY STANDARDS | Design refer to UL1310 Class 2,TUV EN60950-1, EN61347-2-13, CAN/CSA C22.2 No. 223-M91, meet IP6 | |
| | WITHSTAND VOLTAGE | I/P-O/P:3KVAC | |
| | ISOLATION RESISTANCE | I/P-O/P:>100M Ohms / 500VDC / 25°C~70%RH | |
| | EMI CONDUCTION & RADIATION | Compliance to EN55022 (CISPR22) Class B | |
| | HARMONIC CURRENT | Compliance to EN61000-3-2,-3 | |
| | EMS IMMUNITY | Compliance to EN61000-4-2,3,4,5,6,8,11; ENV50204, EN55024, light industry level, criteria A | |
| DIMENSION | | 148*40*34mm (L*W*H) | |

Mechanical Specification



Block Diagram

