

FEATURES

- Small size, light weight and low cost
- Application: Mainly use in Cordless Phone, Answering Machine and Caller Display unit
- UL File No. E147052



COIL RATING (at 20°C)

| Nominal Voltage (VDC) | Coil Resistance ($\Omega \pm 10\%$) | Nominal Current (mA) | Pick-Up Voltage (VDC) | Drop-Out Voltage (VDC) | Allowable Voltage (VDC) | Nominal Power (mW) Consumption |
|-----------------------|---------------------------------------|----------------------|-----------------------|------------------------|-------------------------|--------------------------------|
| 3 | 63 | 47.6 | 2.1 | 0.3 | 160% (Max) | Approx 100-280 |
| 5 | 250 | 20.0 | 3.5 | 0.5 | | |
| 5 | 500 | 10.0 | 3.5 | 0.5 | | |
| 8 | 700 | 11.4 | 5.6 | 0.8 | | |
| 9 | 700 | 12.85 | 6.75 | 0.9 | | |
| 12 | 1050 | 11.4 | 8.4 | 1.2 | | |
| 24 | 2080 | 11.5 | 16.8 | 2.4 | | |

ORDERING INFORMATION

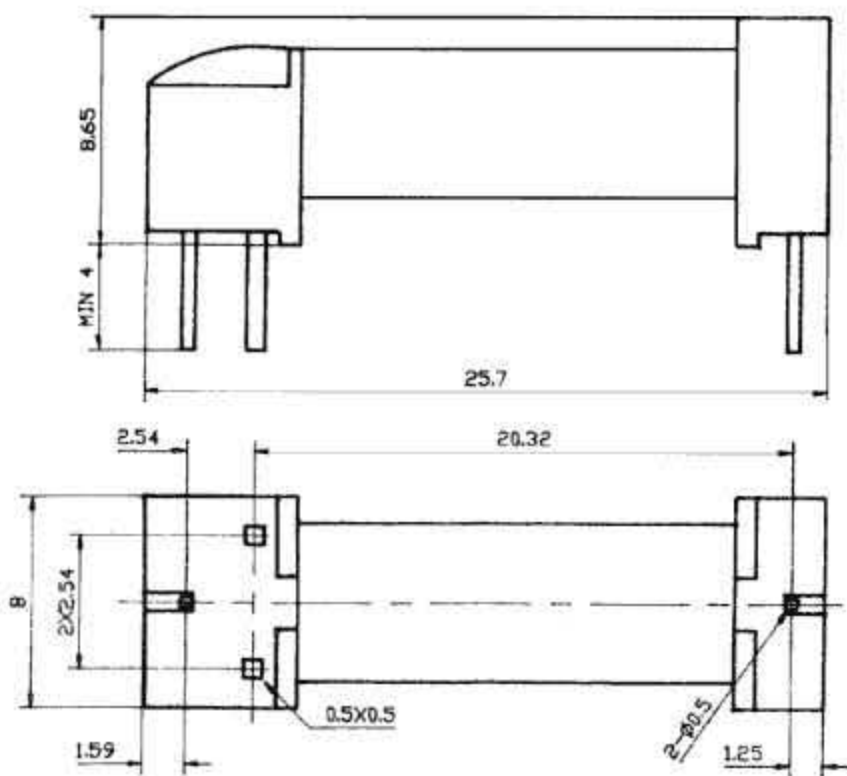
- BR- 500Ω -H - 5VDC

| Coil Resistance (Ω) | Contact Rating | Coil Voltage |
|------------------------------|---|-----------------|
| See Coil Data | Nil: Standard 10W H: High Capacity 20W | See Coil Rating |

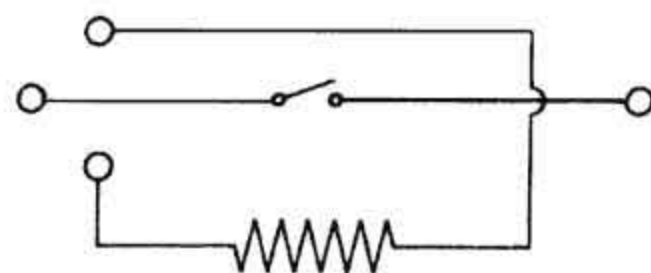
■ SPECIFICATIONS

| | | | |
|------------------------|-------------------------|--------------------------------------|----------|
| Model No. | | BR | BR-H |
| Contact Arrangement | | 1 Form A | |
| Contact Resistance | | Max. 150mΩ (initial) | |
| Contact Rating | Rated Load | 0.1A at 100VAC/0.5A at 24VDC | |
| | Max. Switching Current | 0.5A | |
| | Max. Switching Voltage | 100VAC/100VDC | 200VDC |
| | Max. Switching Capacity | 10VA/10W | 20W |
| | Max. Carrying Current | 1A | |
| Operate Time | | Max. 1.0mSec. | |
| Release Time | | Max. 0.5mSec. | |
| Dielectric Strength | | | |
| Between Coil & Contact | | 3000VDC 50 HZ / 60 HZ (1 second) | |
| Between Contacts | | 200VDC 50 HZ / 60 HZ (1 second) | |
| Surge Strength | | 3000V | |
| Insulation Resistance | | Min. 100MΩ at 500VDC | |
| Life Expectancy | Mechanical Life | 10,000,000 Operations | |
| | Electrical Life | 600,000 Operations (at rated load) | |
| Ambient Temperature | | -30°C ~ +60°C | |
| Vibration Resistance | | 1.5mm D.A. 10-55HZ | |
| Shock Resistance | | Endurance 100G | Error 3G |
| Weight | | Approx. 4.5g | |

DIMENSIONS (in mm)



WIRING DIAGRAM (Bottom View)



DRILLING PLAN (in mm) (Bottom View)

General Tolerance +/-0.3

