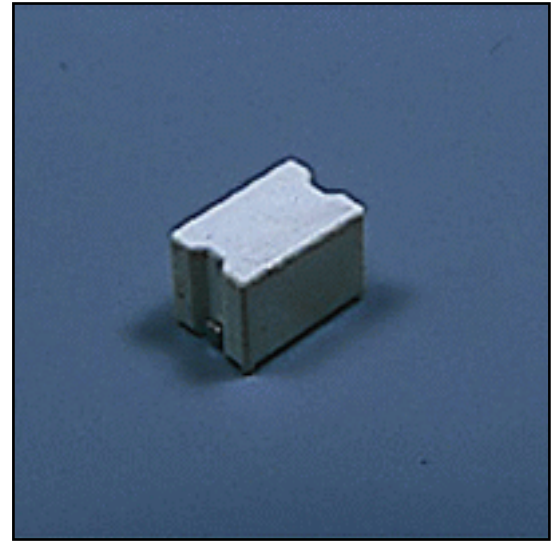




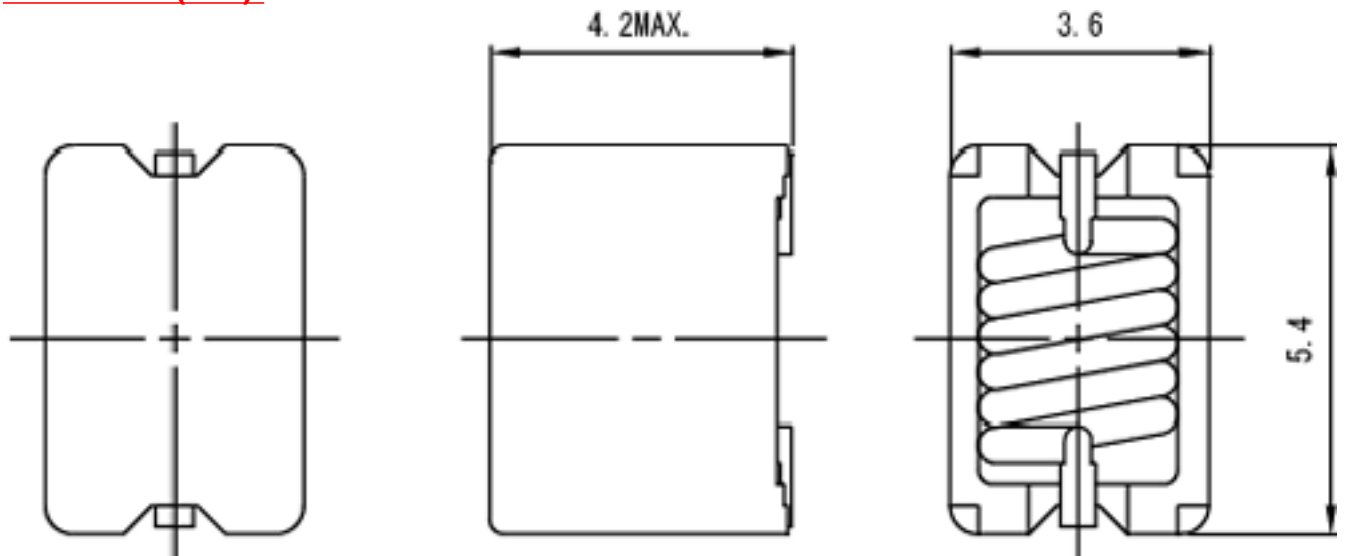
CFE534

Usages:

- VCORFTransceiver



Dimension (mm):



Features:

- Small sizeLow profile typeSpring

Specifications:

- Inductance: 10nH?39nH
- Operational frequency: Max. 1GHz
- Variable range of f&L:

CFE534

CopyRight©2000-2001.Sumida Corporation.
All Right Reserved.