

CSNZ-600 Series

Miniature Split-Core, Fixed Set Point Digital Output Current Sensors



DESCRIPTION

The CSNZ-600 Series Current Sensors provide a cost-effective solution for monitoring the status of direct drive equipment, unit vents, fan coil units, recirculation pumps and other fixed loads where belt loss is not a concern. The low 0.15 A turn-on on this “go/no-go” sensor often makes it ideal for small exhaust fans.

The CSNZ-600 Series solid state output provides more reliable status monitoring than relays across auxiliary contacts. It is also more cost-effective in lighting status applications than 277 V relays.

FEATURES

- Low 0.15 A turn on
- Amperage range of 0.15 A to 200 A
- 100 % solid state
- 1.0 A at 30 Vac/Vdc output rating
- Small package size
- Split-core design
- Self-gripping mounting teeth
- CE marked, cULus approved

The small package size easily fits inside most small starter enclosures, eliminating the need for extra electrical enclosures and saving installation time. The self-gripping mounting teeth eliminate the need for drill installation. The split-core allows fast retrofit installation.

A DIN rail clip set (available separately) increases installation flexibility.

POTENTIAL APPLICATIONS

- Monitoring on/off status of electrical loads
- Monitoring direct drive equipment, fan coil units, exhaust fans and other fixed loads
- Verification of lighting circuits and other electrical service run times

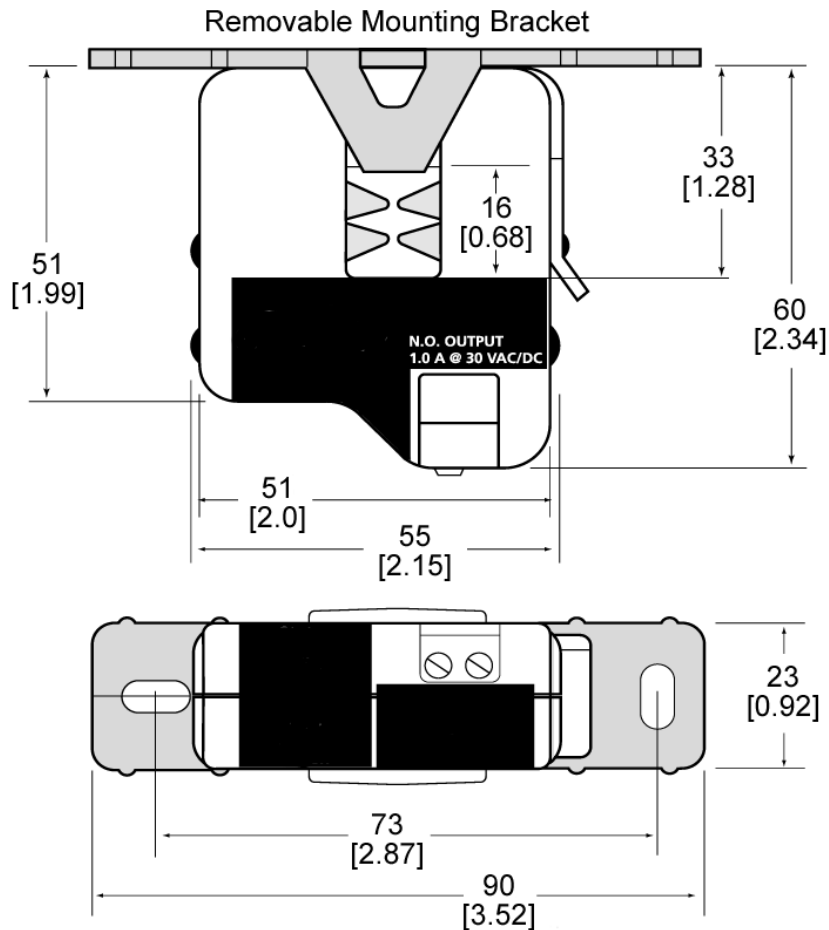
CSNZ-600 Series

SPECIFICATIONS

Characteristic	Parameter
Amperage range	0.15 A to 200 A
Sensor power	induced
Status output ratings	N.O. 1.0 A at 30 Vac/dc, non-polarity sensitive
Off-state leakage	0 (open switch represents 1 + MOhm of resistance)
Insulation class	600 Vac rms
Frequency range	50/60 Hz
Temperature range*	0 A to 150 A: -15 °C to 60 °C [5 °F to 140 °F] 151 A to 200 A: 15 °C to 40 °C [49 °F to 104 °F]
Humidity range	0% to 95% non-condensing
Trip setpoint	fixed 0.15 A
Dimensions (L x W x H)	60 mm x 51 mm x 23 mm [2.34 in x 2.0 in x 0.92 in]
Sensor hole size (L x W)	13 mm x 16 mm [0.52 in x 0.68 in]
Approvals	CE, cULus UL508 E150462

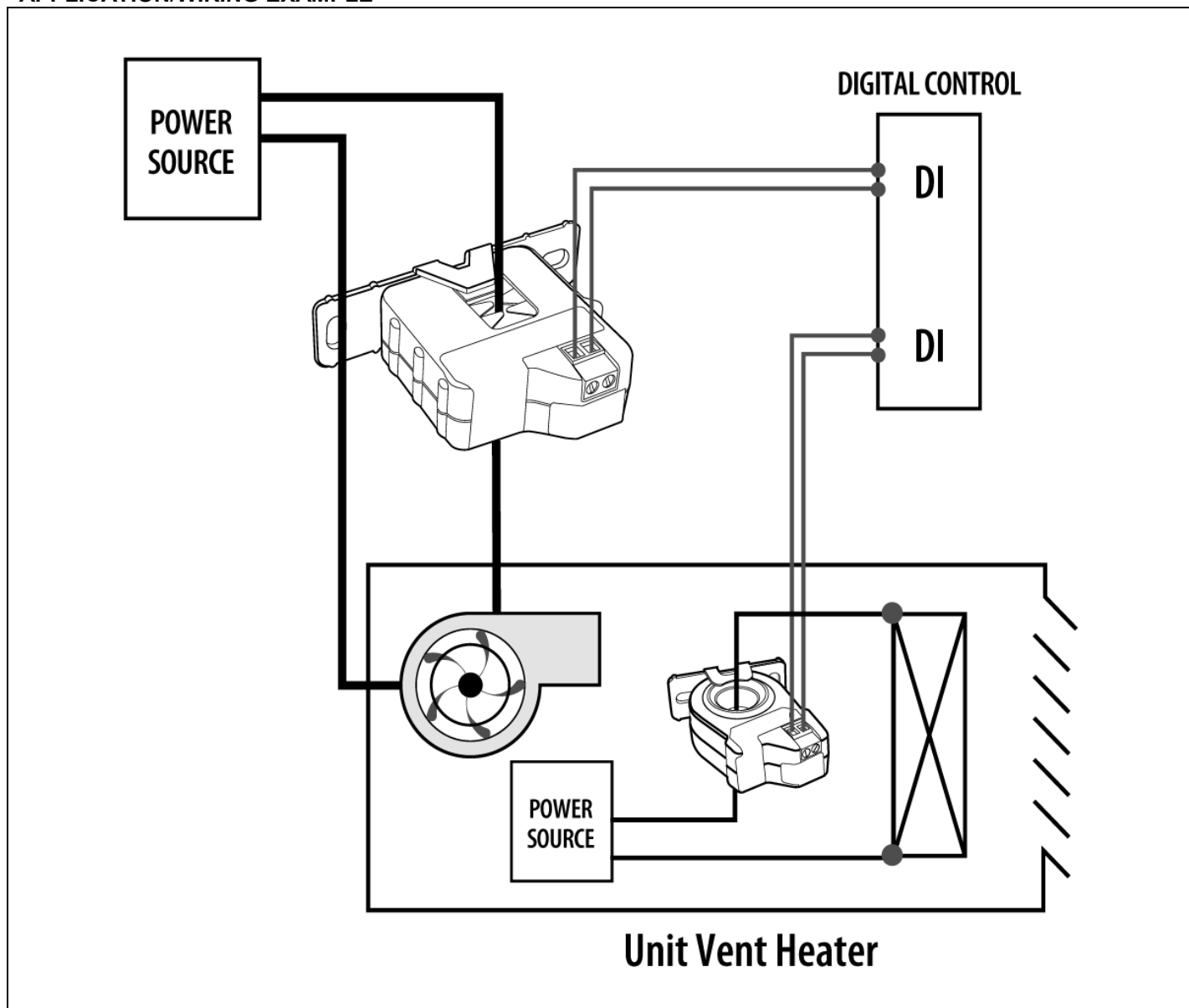
*Use min. 75 °C [167 °F] insulated conductor.

MOUNTING DIMENSIONS (For reference only mm/[in].)



Miniature Split-Core Fixed Set Point Digital Output Current Sensors

APPLICATION/WIRING EXAMPLE



ORDER GUIDE

Catalog Listing	Description
CSNZ-600	Miniature Split-Core Fixed Set Point Digital Output Current Sensor
AH01	DIN Rail Clip Set

WARNING

PERSONAL INJURY

DO NOT USE these products as safety or emergency stop devices or in any other application where failure of the product could result in personal injury.

Failure to comply with these instructions could result in death or serious injury.

WARRANTY/REMEDY

Honeywell warrants goods of its manufacture as being free of defective materials and faulty workmanship. Honeywell's standard product warranty applies unless agreed to otherwise by Honeywell in writing; please refer to your order acknowledgement or consult your local sales office for specific warranty details. If warranted goods are returned to Honeywell during the period of coverage, Honeywell will repair or replace, at its option, without charge those items it finds defective. **The foregoing is buyer's sole remedy and is in lieu of all other warranties, expressed or implied, including those of merchantability and fitness for a particular purpose. In no event shall Honeywell be liable for consequential, special, or indirect damages.**

While we provide application assistance personally, through our literature and the Honeywell web site, it is up to the customer to determine the suitability of the product in the application.

Specifications may change without notice. The information we supply is believed to be accurate and reliable as of this printing. However, we assume no responsibility for its use.

WARNING

MISUSE OF DOCUMENTATION

- The information presented in this product sheet is for reference only. Do not use this document as a product installation guide.
- Complete installation, operation, and maintenance information is provided in the instructions supplied with each product.

Failure to comply with these instructions could result in death or serious injury.

SALES AND SERVICE

Honeywell serves its customers through a worldwide network of sales offices, representatives and distributors. For application assistance, current specifications, pricing or name of the nearest Authorized Distributor, contact your local sales office or:

E-mail: info.sc@honeywell.com

Internet: www.honeywell.com/sensing

Phone and Fax:

Asia Pacific	+65 6355-2828 +65 6445-3033 Fax
Europe	+44 (0) 1698 481481 +44 (0) 1698 481676 Fax
Latin America	+1-305-805-8188 +1-305-883-8257 Fax
USA/Canada	+1-800-537-6945 +1-815-235-6847 +1-815-235-6545 Fax

Automation and Control Solutions

Sensing and Control

Honeywell

1985 Douglas Drive North

Golden Valley, Minnesota 55422

www.honeywell.com/sensing

005856-1-EN IL50 GLO Printed in USA
November 2005
© 2005 Honeywell International Inc.

Honeywell