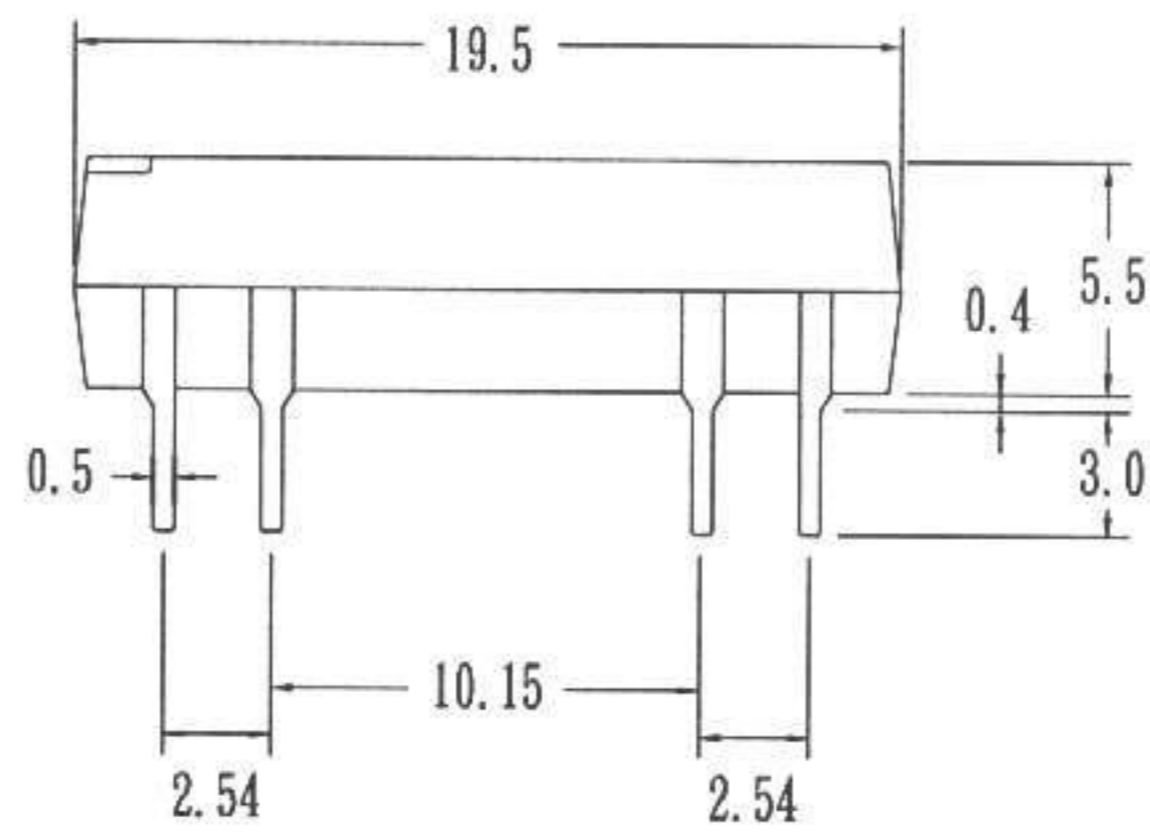
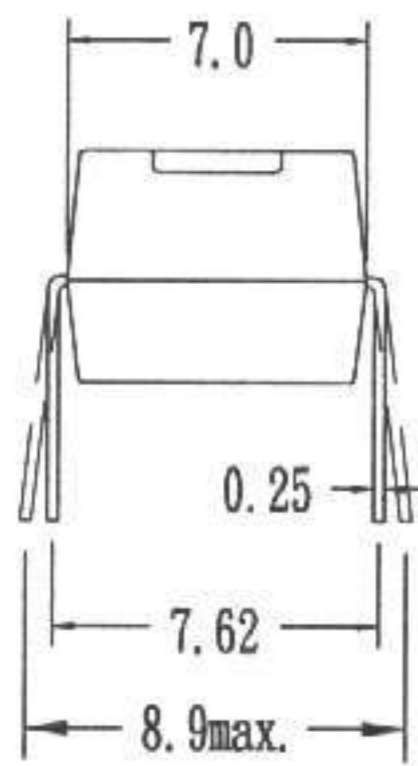


PRODUCT SPECIFICATION

DATE: 03/26/00'

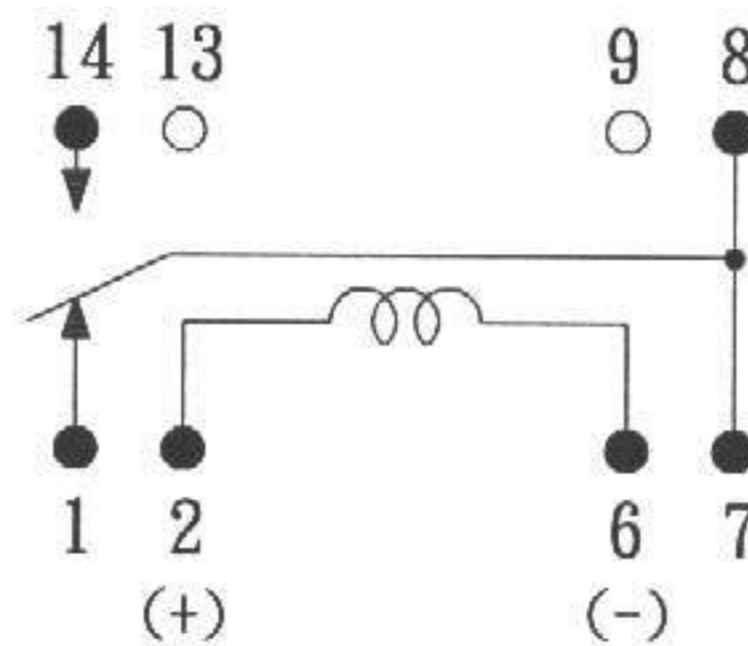
COSMO ELECTRONICS CORPORATION	REED RELAY: D1C120000	NO. 50R01020	REV.
		SHEET 1 OF 2	2

1. OUTSIDE DIMENSION : UNIT (mm)



TOLERANCE : $\pm 0.1\text{mm}$

2. SCHEMATIC : TOP VIEW



ISSUE <i>Dean. Yu.</i> <i>03-28-00</i>	CHECK <i>Alan Sei 03-29-00</i>	APPROVED <i>Stan Hsu 4/1/00</i>
--	-----------------------------------	------------------------------------

PRODUCT SPECIFICATION

DATE: 03/26/00'

COSMO ELECTRONICS CORPORATION	REED RELAY: D1C120000	NO. 50R01020	REV. 2
		SHEET 2 OF 2	

3.0 COIL RATINGS: (AT 20°C)

3.1 Coil resistance	500	Ω ($\pm 10\%$)
3.2 Nominal coil current	12	VDC
3.3 Maximum Continuous voltage	20	VDC
3.4 Must operate	9	VDC
3.5 Must release	1.2	VDC
3.6 Rated current	24	mA

4.0 ELECTRONICAL CHARACTERISTICS:

4.1 Contact resistance	150	$m\Omega$ (max)
4.2 Operate time	1.0	ms (max)
4.3 Bounce time	2.0	ms (max)
4.4 Release time	1.0	ms (max)
4.5 Insulation resistance (100 VDC open contact)	10^9	Ω (min)
4.6 Power	3	VA (max)
4.7 Switching voltage	100	VDC (max)
4.8 Switching current	0.25	A (max)
4.9 Carry current	0.5	A (max)
4.10 Breakdown voltage (across open contact)	200	VDC (min)
		(between coil & contact)
	500	VDC (min)
4.11 Life expectancy (signal level)	5×10^7	
4.12 Operating temp	-40 to 85	$^{\circ}\text{C}$
4.13 Storage temp	-50 to 125	$^{\circ}\text{C}$
4.14 Resonant frequency	3.5	KHZ
4.15 Vibration (10-2000HZ)	20	g (max)
4.16 Minimum permissible load	100	mVDC 10uA

ISSUE <i>Dean. Yu.</i> <i>03-28-00</i>	CHECK <i>Alan Lai 03-29-00</i>	APPROVED <i>Sten Hsu 4-1-00</i>
--	-----------------------------------	------------------------------------