


# DFRobot Digital Push Button (SKU:DFR0029)

## Introduction



 DFRobot LM35 Linear Temperature Sensor

This is a big button which gives the first touch of the physical world. Simply plug to IO expansion board to finish your first taste of Arduino.

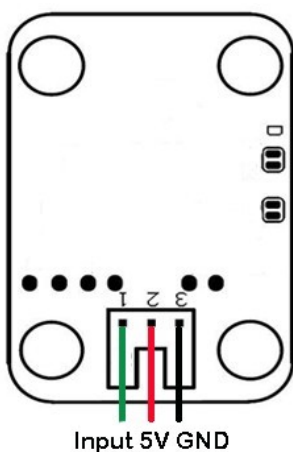
## Features

- Digital push button sensor
- Easy to 'plug and play'
- Large button keypad and high-quality first-class hat

## Pin Definition

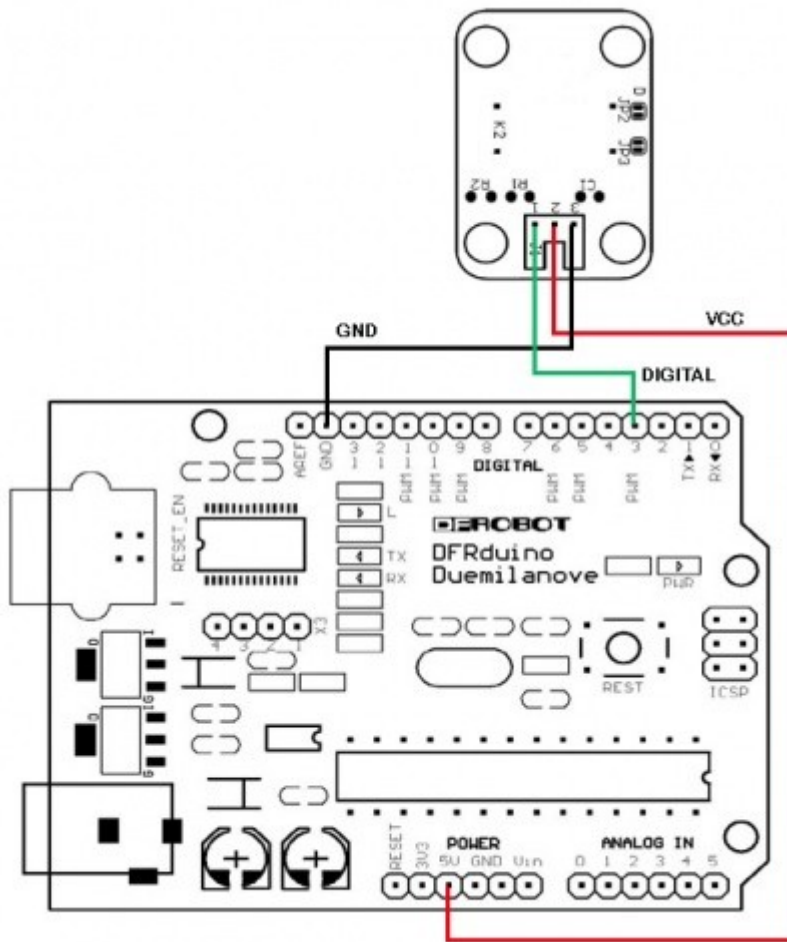
Big button module pin definition :

1. Input
2. Power
3. GND



digital input module

## Connection Diagram



Digital module connection diagram

## Sample Code

```
///  
//Arduino Sample Code  
//www.DFRobot.com  
//Last modified on 16th September 2010  
  
int ledPin = 13;           // choose the pin for the LED  
int inputPin = 3;         // Connect sensor to input pin 3  
  
void setup() {  
  pinMode(ledPin, OUTPUT); // declare LED as output  
  pinMode(inputPin, INPUT); // declare pushbutton as input  
}  
  
void loop(){  
  val = digitalRead(inputPin); // read input value  
  if (val == HIGH) {          // check if the input is HIGH  
    digitalWrite(ledPin, LOW); // turn LED OFF  
  } else {  
    digitalWrite(ledPin, HIGH); // turn LED ON  
  }  
}
```

