

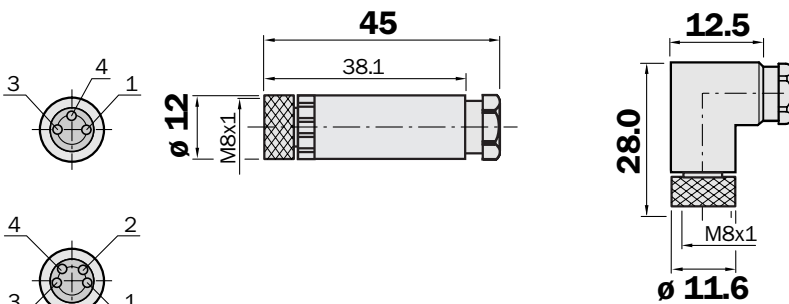
**M8, M12
terminal screwed**

Round connectors

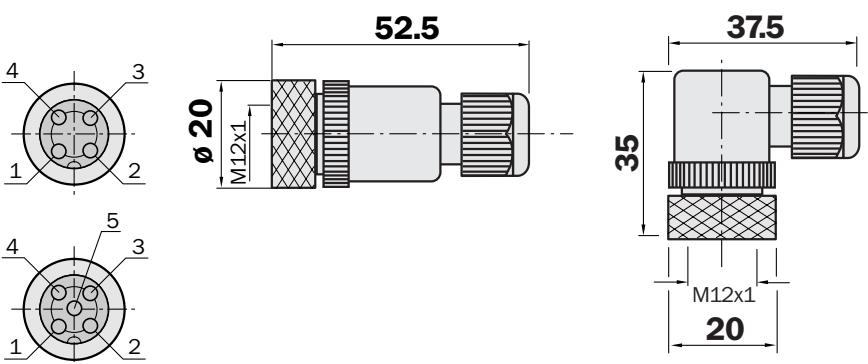
- Terminal screwed
- Enclosure rating IP 67
(only in fully locked position with its plugs)
- Good resistance to oil and chemicals
- Housing material PA
- Locking nut V4A
(only DOS-...N, STE-...N)

Dimensional drawings

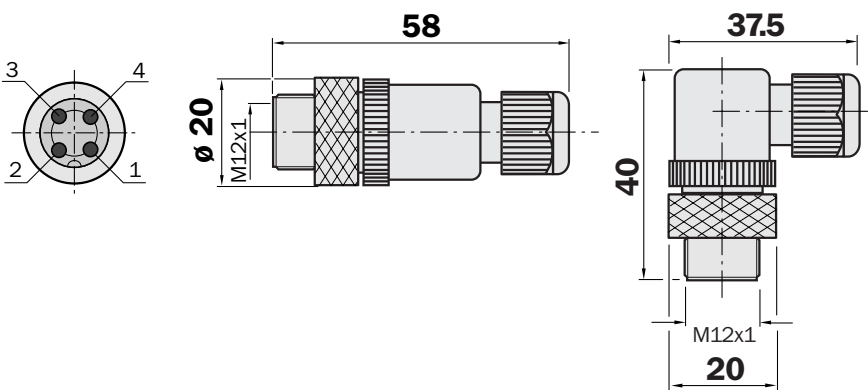
DOS-08...



DOS-12...



STE-1204...



(Except M8-connectors)

Technical data

Nominal voltage U_b	60 V AC/75 V DC (M8-connector) 125 V AC/150 V DC (M12 4-pin-connector) 30 V AC/36 V DC (M12, 5-pin-connector)
Nominal power	4 A
Testvoltage	1.5 kV eff./60 s. (M8-connector) 1.25 kV eff./60 s. (M12, 4-pin-connector) 1.0 kV eff./60 s. (M12, 5-pin-connector)
Insulation group	C acc. VDE 0110
Insulation resistance	> 10 ⁹ Ω
Max. wire section	Max. 0.5 mm ² (M8-connector) Max. 0.75 mm ² (M12-connector)
Temperature range	-25 °C ... +90 °C
Enclosure rating	IP 67 ¹⁾
Locking nut	CuZn, brass nickered V4A (1.4404) (DOS-12...N, STE-12...N)
Housing	PA, black (self-extinguishing)

¹⁾ Only in fully locked position with its plugs

Order information

Round connectors M8 terminal screwed

Type	Order no.	Description	Contacts	Locking nut	Cable Ø [mm]
DOS-0803-G	7 902 077	Female connector straight	3	CuZn	3.5 ... 5.0
DOS-0803-W	7 902 078	Female connector angled	3	CuZn	3.5 ... 5.0
DOS-0804-G	6 009 974	Female connector straight	4	CuZn	3.5 ... 5.0
DOS-0804-W	6 009 975	Female connector angled	4	CuZn	3.5 ... 5.0

Round connectors M12 terminal screwed

Type	Order no.	Description	Contacts	Locking nut	Cable Ø [mm]
DOS-1204-G	6 007 302	Female connector straight	4	CuZn	3 ... 6.5
DOS-1204-W	6 007 303	Female connector angled	4	CuZn	3 ... 6.5
STE-1204-G	6 009 932	Male connector straight	4	CuZn	3 ... 6.5
STE-1204-W	6 022 084	Male connector angled	4	CuZn	3 ... 6.5
DOS-1204-GN	6 028 357	Female connector straight	4	V4A	3 ... 6.5
DOS-1204-WN	6 028 358	Female connector angled	4	V4A	3 ... 6.5
STE-1204-GN	6 028 359	Male connector straight	4	V4A	3 ... 6.5
STE-1204-TN	6 028 360	Duo-male connector straight	4	V4A	3 ... 6.5 (2 x)
DOS-1205-G	6 009 719	Female connector straight	5	CuZn	3 ... 6.5
DOS-1205-W	6 009 720	Female connector angled	5	CuZn	3 ... 6.5