

# DRA240 SERIES

## DC BACKUP SYSTEM



AC - DC DIN RAIL MOUNTABLE  
240W  
INDUSTRIAL CONTROL EQUIPMENT

### FEATURES

- COMPACT DESIGN
- SIMPLE IN APPLICATION
- LOW PRICING
- WORKABLE FOR BOTH POWER SUPPLY / DC BACKUP SYSTEM
- INPUT VOLTAGE | 115/230VAC AUTO SELECT

## SELECTION CHART

# DRA 240 - 24 A \*

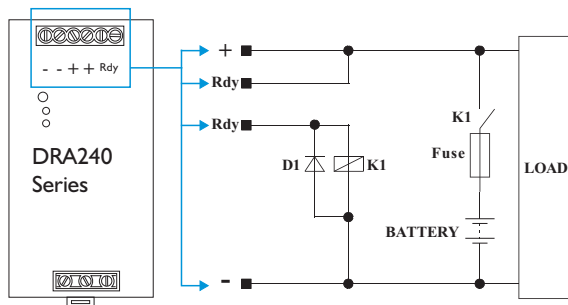
Wattage | 24 : 27.2VOUT  
48 : 54.5VOUT | DC Backup System  
SCREW TERMINALS

## MODEL LIST

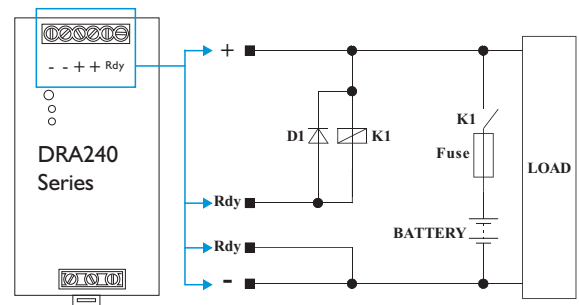
MODEL NO.	INPUT VOLTAGE	OUTPUT WATTAGE	OUTPUT VOLTAGE	OUTPUT CURRENT	EFF. (min.)	EFF. (typ.)
-----------	---------------	----------------	----------------	----------------	-------------	-------------

### Single Output Models

DRA240-24A*	115 / 230 VAC	240 WATTS	+ 27.2 VDC	8.8A	89%	87%
DRA240-48A*	115 / 230 VAC	240 WATTS	+ 54.5 VDC	4.4A	90%	88%



DRA240 Series For DC Backup System Application



DRA240 Series For DC Backup System Application

### Note :

1. The suffix "※" is part of the model number, which specifies the product is designed and pre-trim for low-cost DC backup power system with external Lead-Acid battery, Relay and Fuse.
2. The manufacturer is liable neither for the external components nor the damage to the power supply causing by external components.
3. The total consumption current including loading and battery charging current should not exceed the maximum rated current of power supply.
4. The operation concept of DC backup power system :
  - A. When AC power alive : The "Rdy" is close circuit to active the external Relay . The power supply feeds current into the external loads and charges through Relay to the external battery as well.
  - B. When AC power interrupted : The "Rdy" is remain close circuit to maintain the external Relay remain active, the external battery supply current to the external loads.
  - C. When Battery power low : The "Rdy" become open circuit and the external Relay become inactive to disconnect the battery from external loads.

## SPECIFICATION

All Specifications Typical At Nominal Line, Full Load, 25°C Unless Otherwise Noticed

### GENERAL

Characteristics	Conditions	min.	typ.	max.	unit
Isolation voltage	Input / Output	3,000			VAC
Isolation resistance	Input / Output, @ 500VDC	100			MΩ
Ambient temperature	Operating at Vi nom	-10		+ 71	°C
Derating	Vi nom, from +61 to +71°C			2.5	% / °C
Storage temperature	Non operational	-25		+ 85	°C
Relative humidity	Vi nom, Io nom	20		95	% RH
Dimension	Screw terminal type	L125 x W83 x D126			mm
Cooling	Free air convection				mm
Case material	Metal				

### INPUT SPECIFICATIONS

Characteristics	Conditions	min.	typ.	max.	unit
Rated input voltage	Io nom		115 / 230(auto select)		VAC
Input voltage range	Ta min ... Ta max, AC in	93		132	VAC
	Io nom AC in	186		264	VAC
	Io nom DC in	210		370	VDC
Rated input current	Io nom		5.4 / 2.2		A
Line frequency	Vi nom, Io nom	47		63	Hz
Inrush current	Vi nom, Io nom	Vi : 115VAC		30	A
		Vi : 230VAC		60	A
P. F. C.	Vi : 230VAC, Io nom		0.7		

### OUTPUT SPECIFICATIONS

Characteristics	Conditions	min.	typ.	max.	unit
Output voltage accuracy (Adjusted before shipment)	Vi nom, Io max	-0		+ 1	%
Minimum load	Vi nom	0			%
Line regulation	Io nom, Vi min ... Vi max			± 0.5	%
Load regulation	Vi nom, Io min ... Io nom			± 1	%
Temperature coefficient	Vi nom, Io min			± 0.3	% / °C
Ripple & noise	Vi nom, Io nom, BW = 20MHz			100	mV
Hold up time	Vi nom, Io nom	Vi = 115VAC	25		ms
		Vi = 230VAC	30		ms
Voltage trim range	Vi nom, Io nom	24V models	22.5		28.5 VDC
		48V models	45		55 VDC
Rdy Close / DC ON indicator threshold at start up	Vi nom, Io nom	24V models	21.2		22.2 VDC
		48V models	42.8		43.8 VDC
Rdy Open / DC LOW indicator threshold after start up	Vi nom, Io nom	24V models	21.1		22.1 VDC
		48V models	42.7		43.7 VDC

## SPECIFICATION

All Specifications Typical At Nominal Line, Full Load, 25°C Unless Otherwise Noticed

### CONTROL AND PROTECTION

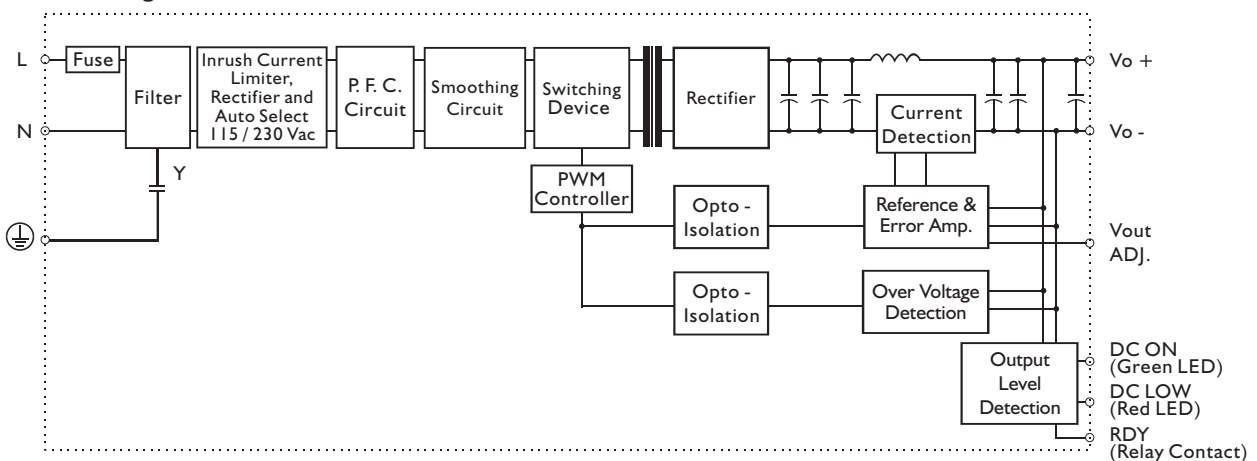
Characteristics	Conditions	min.	typ.	max.	unit
Input fuse		T6.3A / 250VAC internal			
Rated over load protection	$V_i$ nom	125		145	%
Over voltage protection	$V_i$ nom, $I_o$ nom	120		145	%
Output short circuit	$V_i$ nom, $I_o$ nom	Current limited			

### APPROVALS AND STANDARDS

UL / cUL	UL508 Listed, UL60950-I Recognized
TUV	EN60950
CE	EN61000-6-3, EN55022 class B, EN61000-3-2, EN61000-3-3 EN61000-6-2, EN55024

## CIRCUIT SCHEMATIC

• Block diagram for DRA240 series



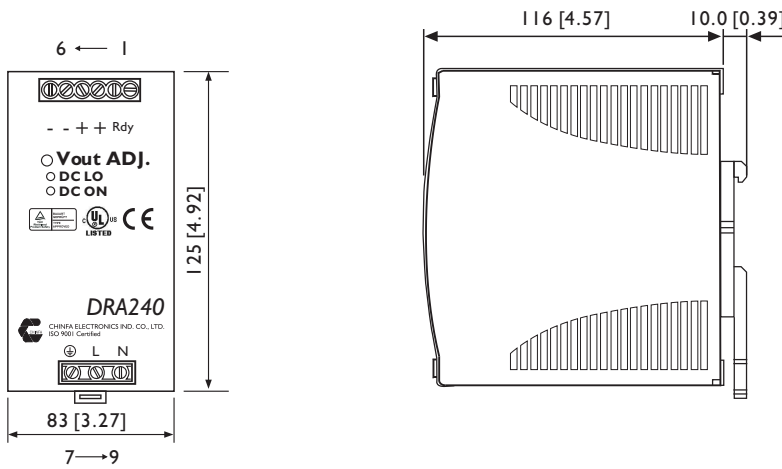
## PHYSICAL CHARACTERISTICS

CASE SIZE

SCREW TERMINAL TYPE	125 x 83 x 126 mm 4.92 x 3.27 x 4.96 inches
WEIGHT	1000g

## MECHANISM & PIN CONFIGURATION

mm [inch]



### CONSTRUCTION

Easy snap-on mounting onto the DIN-Rail (TS35/7.5 or TS35/15), unit sits safely and firmly on the rail.

### INSTALLATION

Ventilation / Cooling

Normal convection

All sides 25m/m free space

For cooling recommended

Connector size range

Screw terminal:

10-24AWG flexible / solid cable,

8 m/m stripping at cable end recommends

Detachable connector:

14-24AWG flexible / solid cable,

7 m/m stripping at cable end recommends

## PIN ASSIGNMENT

PIN NO.	Designation	Description	
1	RDY	A normal open relay contact for DC ON level control (Never connect except 24V model)	
2	OUT		
3		V +	Positive output terminal
4		V +	Positive output terminal
5		V -	Negative output terminal
6	V -	Negative output terminal	
7	IN	⊕	Ground this terminal to minimize high-frequency emissions
8		L	Input terminals (phase conductor, no polarity at DC input)
9		N	Input terminals (neutral conductor, no polarity at DC input)
	OTHER	DC ON	Operation indicator LED
		DC LO	DC LOW voltage indicator LED
		Vout ADJ.	Trimmer-potentiometer for Vout adjustment

## DERATING

