

NEW


DRS 61: Incremental encoders, number of lines and zero pulse width freely programmable

DRS 60: Incremental Encoders with Zero-Pulse-Teach



Further highlights of this generation of encoders:

- Simple zero-pulse-teach by pressing a button located under a cap on the rear of the encoder
- Excellent price/performance ratio
- Long LED lifetime as a result of automatic light regulation
- Maximum reliability as a result of opto-ASICs with Chip-on-Board technology
- Interchangeable collets for hollow shaft diameters from 6 to 15 mm and 1/4, 3/8, 1/2 inch.

	Number of lines 1 up to 8,192
Incremental Encoder	

CoreTech[®]
by **SICK** | **STEGMANN**

C

CoreTech technology permits tailor-made solutions for every application, due to its modular design.

With DRS 61 incremental encoders, the number of lines from 1 to 8,192 and the width of the zero pulse can be freely programmed **by the customer**. Therefore, they will be of particular interest to end users, distributors, consulting engineers and system integrators.

DRS 60 incremental encoders are available with any desired number of lines between 1 and 8,192.

Whether with face mount flange, servo flange, blind or through hollow shaft with connector or cable outlet, TTL or HTL interface – DRS 60/61 encoders will meet virtually any application profile.

Thanks to this wide variety of products, there are numerous possible uses, for example in:

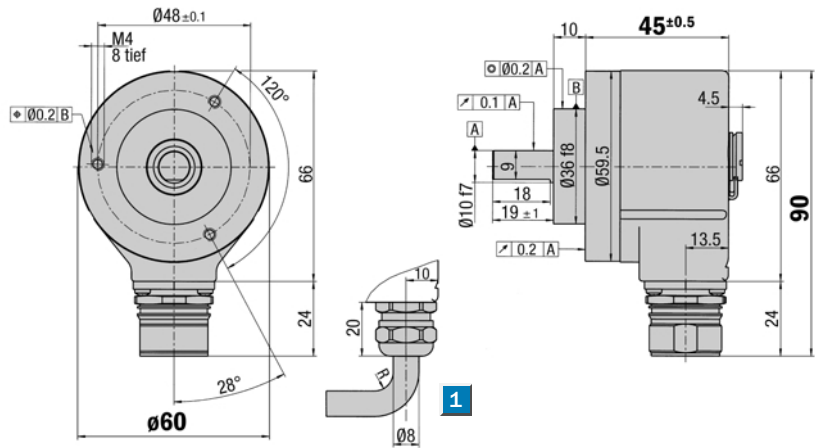
- machine tools
- textile machines
- woodworking machines
- packaging machines

Number of lines
1 up to 8,192

Incremental Encoder

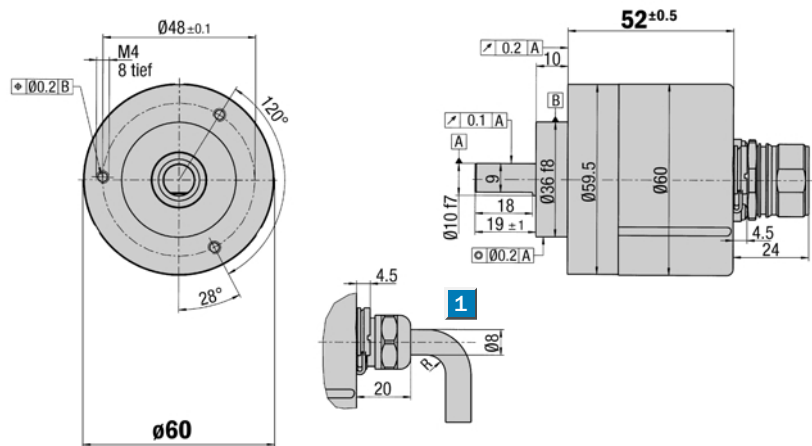
- Connector or cable outlet
- Protection class up to IP 66
- Electrical interfaces
TTL and HTL
- Zero-Pulse-Teach via
pressing a button
- DRS 61: number of lines and
zero pulse width can be freely
programmed by the customer

Dimensional drawing face mount flange radial



1 R = bending radius min. 40 mm General tolerances according to DIN ISO 2768-mk

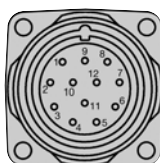
Dimensional drawing face mount flange axial



1 R = bending radius min. 40 mm General tolerances according to DIN ISO 2768-mk

PIN and wire allocation/cable 11 core

PIN	Signal	Wire colour (Cable outlet)	Explanation
1	\bar{B}	black	Signal line
2	Sense +	grey	Connected internally to U_s
3	Z	lilac	Signal line
4	\bar{Z}	yellow	Signal line
5	A	white	Signal line
6	\bar{A}	brown	Signal line
7	N. C.	orange	Not connected
8	B	pink	Signal line
9	Screen		Housing potential
10	GND	blue	Zero volt connected to the encoder
11	Sense -	green	Connected internally to GND
12	U_s	red	Supply voltage ¹⁾



View of the connector M23 fitted to the encoder body

¹⁾ Potential free to housing
 N. C. =
 Not connected



Accessories

- Connection systems
- Mounting systems
- Programming Tool

Technical Data acc. to DIN 32878		DRS 60/DRS 61 face mount flange	Flange type											
			face m.											
Solid shaft	10 mm													
Number of lines per revolution	00001 up to 08192, see order info													
Electrical Interface	TTL/RS 422, 6-channel													
	HTL/push-pull, 6-channel													
Mass ¹⁾	Approx. 0.3 kg													
Moment of inertia of the rotor	54 gcm ²													
Measuring step	90°/number of lines													
Reference signal														
Number	1													
Position ²⁾	90° or 180°													
Error limits														
binary number of lines	0.035°													
non-binary number of lines	0.046°													
Measuring step deviation														
binary number of lines	0.005°													
non-binary number of lines	0.016°													
Max. output frequency														
TTL	820 kHz													
HTL	200 kHz													
Operating torque max.														
with shaft seal	6,000 min ⁻¹													
without shaft seal ³⁾	10,000 min ⁻¹													
Max. angular acceleration	5 x 10 ⁵ rad/s ²													
Operating torque	Typ. 0.3 Ncm													
Start up torque	Typ. 0.4 Ncm													
Permissible shaft loading														
radial	20 N													
axial	10 N													
Bearing lifetime	3.6 x 10 ⁹ revolutions													
Working temperature range	- 20 ... + 85 °C													
Storage temperature range	- 40 ... + 100 °C													
Permissible relative humidity ⁴⁾	90 %													
EMC ⁵⁾														
Resistance														
to shocks ⁶⁾	50/11 g/ms													
to vibration ⁷⁾	20/10 ... 2000 g/Hz													
Protection class IEC 60529														
Connector outlet ⁸⁾	IP 65													
Cable outlet	IP 66													
Operating voltage range														
Load current TTL/RS 422, 4.5 ... 5.5 V Max. 20 mA														
TTL/RS 422, 10 ... 32 V Max. 20 mA														
HTL/push-pull, 10 ... 32 V Max. 60 mA														
No-load operating current														
at 10 ... 32 V	Typ. 100 mA													
at 5 V	Typ. 120 mA													
Operation of zero-set ⁹⁾	≥ 100 ms													
Initialisation time after power on	40 ms													

¹⁾ Concerning encoder with connector
²⁾ Electrical, logically linked to A and B
³⁾ In case, that shaft seal has been removed by customer

⁴⁾ Condensation of the optical scanning not permitted
⁵⁾ To DIN EN 61000-6-2 and DIN EN 61000-6-3

⁶⁾ To DIN EN 60068-2-27
⁷⁾ To DIN EN 60068-2-6
⁸⁾ With mating connector fitted
⁹⁾ Only with shaft stationary

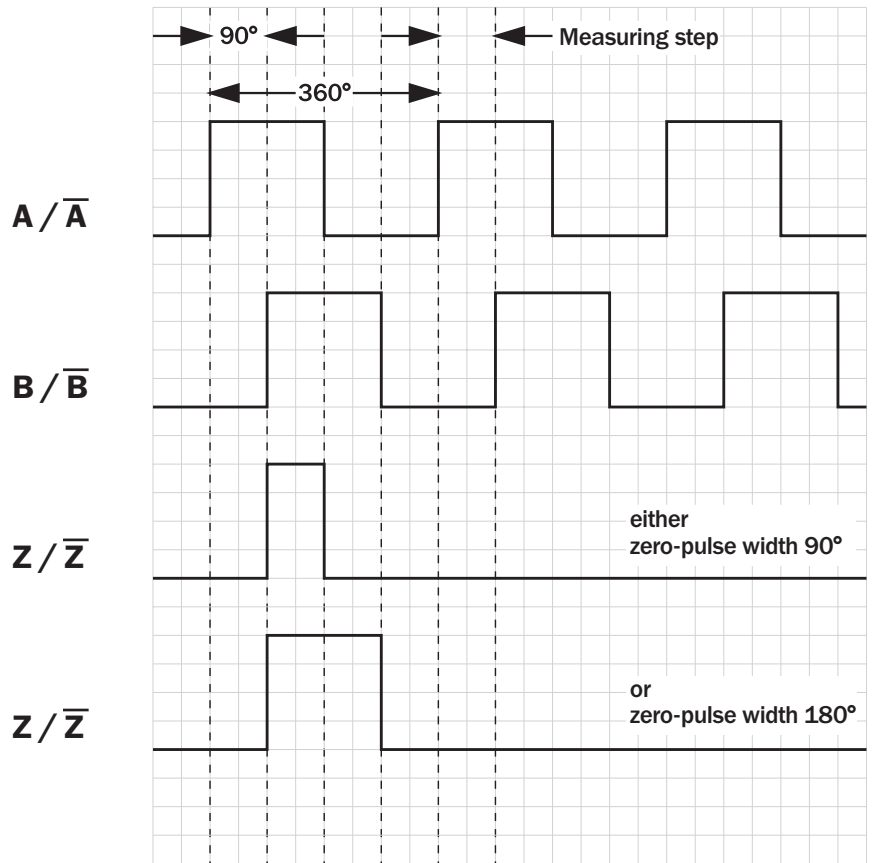
Number of lines
1 up to 8,192

Incremental Encoder

- Connector or cable outlet
- Protection class up to IP 66
- Electrical interfaces
TTL and HTL
- Zero-Pulse-Teach via
pressing a button
- DRS 61: number of lines and
zero pulse width can be freely
programmed by the customer



Incremental pulse diagram

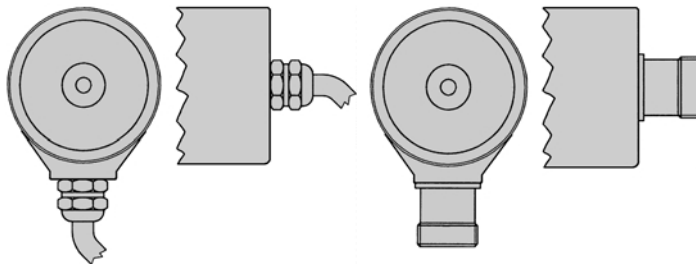


Electrical interface

Supply voltage	4.5 ... 5.5 V	10 ... 32 V	10 ... 32 V
Interfaces/drivers	TTL (RS 422)	TTL (RS 422)	HTL (push-pull)

Connection type

Cable radial	Cable axial	Connector radial	Connector axial
--------------	-------------	------------------	-----------------



Accessories

Connection systems
Mounting systems
Programming Tool



Order information

Incremental Encoder DRS 60, face mount flange, solid shaft

Point 1	Point 2	Point 3	Point 4	Point 5	Point 6	Point 7	Point 8	Point 9	Point 10	Point 11	Point 12	Point 13	Point 14
D	R	S	6	0	-		4						

Electrical interface	
4.5 ... 5.5 V, TTL/RS 422 Zero-pulse width 90°	= A
4.5 ... 5.5 V, TTL/RS 422 Zero-pulse width 180°	= B
10 ... 32 V, TTL/RS 422 Zero-pulse width 90°	= C
10 ... 32 V, TTL/RS 422 Zero-pulse width 180°	= D
10 ... 32 V, HTL/push-pull Zero-pulse width 90°	= E
10 ... 32 V, HTL/push-pull Zero-pulse width 180°	= F

Mechanical interface	
Face mount flange, solid shaft 10 mm	= 4

Connection type	
Connector M23, 12 pin, radial	= A
Connector M23, 12 pin, axial	= B
Cable 11 core, radial 1.5 m	= K
Cable 11 core, radial 3 m	= L
Cable 11 core, radial 5 m	= M
Cable 11 core, radial 10 m	= N
Cable 11 core, axial 1.5 m	= R
Cable 11 core, axial 3 m	= S
Cable 11 core, axial 5 m	= T
Cable 11 core, axial 10 m	= U

Number of lines	
Each number of lines from 00001 up to 08192 possible. Always 5 characters in clear text.	

Order example Incremental Encoder DRS 60

4.5 ... 5.5 V, TTL/RS 422 zero-pulse width 90°; face mount flange; connector M23, 12 pin, radial; number of lines: 360

Point 1	Point 2	Point 3	Point 4	Point 5	Point 6	Point 7	Point 8	Point 9	Point 10	Point 11	Point 12	Point 13	Point 14
D	R	S	6	0	-	A	4	A	0	0	3	6	0



Incremental-Encoder DRS 61 face mount flange, solid shaft (number of lines and zero pulse width can be freely programmed by the customer)

Point 1	Point 2	Point 3	Point 4	Point 5	Point 6	Point 7	Point 8	Point 9	Point 10	Point 11	Point 12	Point 13	Point 14
D	R	S	6	1	-		4		0	8	1	9	2

Electrical interface	
4.5 ... 5.5 V, TTL/RS 422	= A
10 ... 32 V, TTL/RS 422	= C
10 ... 32 V, HTL/push-pull	= E

Mechanical interface	
Face mount flange, solid shaft 10 mm	= 4

Connection type	
Connector M23, 12 pin, radial	= A
Connector M23, 12 pin, axial	= B
Cable 11 core, radial 1.5 m	= K
Cable 11 core, axial 1.5 m	= R

Number of lines	
Factory-programmed to 8,192.	

Order example Incremental Encoder DRS 61

4.5 ... 5.5 Volt, TTL/RS 422; face mount flange; connector M23, 12 pin, radial; number of lines: 8,192 (factory-programmed)

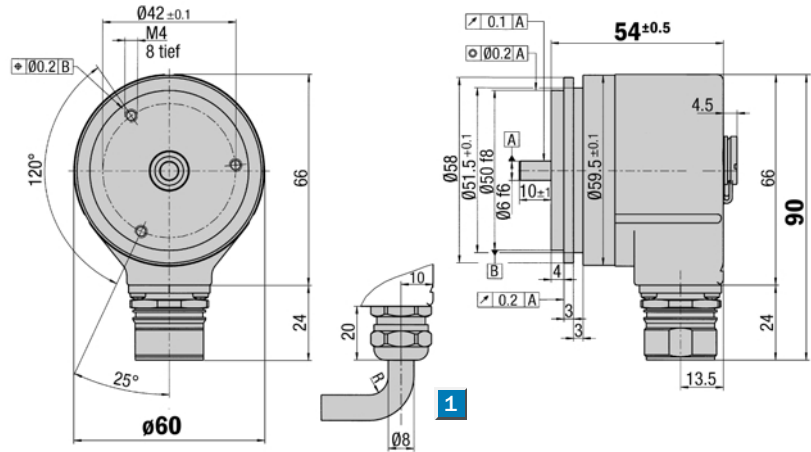
Point 1	Point 2	Point 3	Point 4	Point 5	Point 6	Point 7	Point 8	Point 9	Point 10	Point 11	Point 12	Point 13	Point 14
D	R	S	6	1	-	A	4	A	0	8	1	9	2

Number of lines
1 up to 8,192

Incremental Encoder

- Connector or cable outlet
- Protection class up to IP 66
- Electrical interfaces
TTL and HTL
- Zero-Pulse-Teach via
pressing a button
- DRS 61: number of lines and
zero pulse width can be freely
programmed by the customer

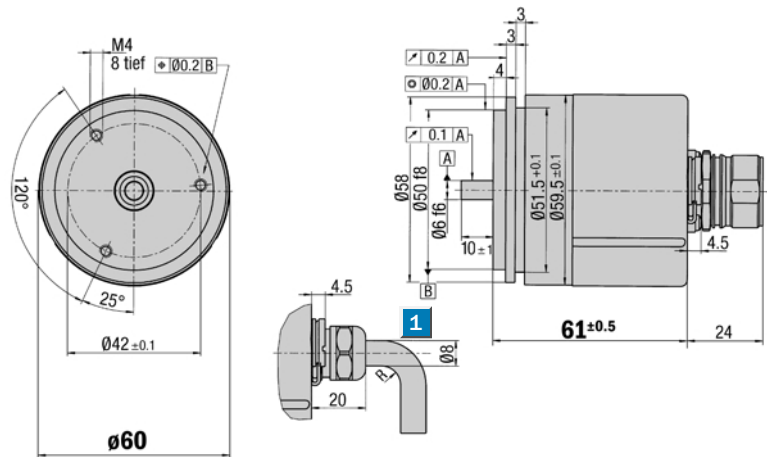
Dimensional drawing servo flange radial



1 R = bending radius min. 40 mm

General tolerances according to DIN ISO 2768-mk

Dimensional drawing servo flange axial

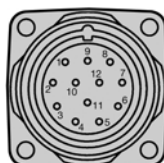


1 R = bending radius min. 40 mm

General tolerances according to DIN ISO 2768-mk

PIN and wire allocation/cable 11 core

PIN	Signal	Wire colour (Cable outlet)	Explanation
1	\bar{B}	black	Signal line
2	Sense +	grey	Connected internally to U_s
3	Z	lilac	Signal line
4	\bar{Z}	yellow	Signal line
5	A	white	Signal line
6	\bar{A}	brown	Signal line
7	N. C.	orange	Not connected
8	B	pink	Signal line
9	Screen		Housing potential
10	GND	blue	Zero volt connected to the encoder
11	Sense -	green	Connected internally to GND
12	U_s	red	Supply voltage ¹⁾



View of the connector M23 fitted to the encoder body

¹⁾ Potential free to housing
N. C. =
Not connected



Accessories

- Connection systems
- Mounting systems
- Programming Tool

Technical Data acc. to DIN 32878		DRS 60/DRS 61 servo flange	Flange type											
			servo											
Solid shaft	6 mm													
Number of lines per revolution	00001 up to 08192, see order info													
Electrical Interface	TTL/RS 422, 6-channel													
	HTL/push-pull, 6-channel													
Mass ¹⁾	Approx. 0.3 kg													
Moment of inertia of the rotor	48 gcm ²													
Measuring step	90°/number of lines													
Reference signal														
Number	1													
Position ²⁾	90° or 180°													
Error limits														
binary number of lines	0.035°													
non-binary number of lines	0.046°													
Measuring step deviation														
binary number of lines	0.005°													
non-binary number of lines	0.016°													
Max. output frequency														
TTL	820 kHz													
HTL	200 kHz													
Operating torque max.														
with shaft seal	6,000 min ⁻¹													
without shaft seal ³⁾	10,000 min ⁻¹													
Max. angular acceleration	5 x 10 ⁵ rad/s ²													
Operating torque	Typ. 0.2 Ncm													
Start up torque	Typ. 0.25 Ncm													
Permissible shaft loading														
radial	20 N													
axial	10 N													
Bearing lifetime	3.6 x 10 ⁹ revolutions													
Working temperature range	- 20 ... + 85 °C													
Storage temperature range	- 40 ... + 100 °C													
Permissible relative humidity ⁴⁾	90 %													
EMC ⁵⁾														
Resistance														
to shocks ⁶⁾	50/11 g/ms													
to vibration ⁷⁾	20/10 ... 2000 g/Hz													
Protection class IEC 60529														
Connector outlet ⁸⁾	IP 65													
Cable outlet	IP 66													
Operating voltage range														
Load current TTL/RS 422, 4.5 ... 5.5 V Max. 20 mA														
TTL/RS 422, 10 ... 32 V Max. 20 mA														
HTL/push-pull, 10 ... 32 V Max. 60 mA														
No-load operating current														
at 10 ... 32 V	Typ. 100 mA													
at 5 V	Typ. 120 mA													
Operation of zero-set ⁹⁾	≥ 100 ms													
Initialisation time after power on	40 ms													

¹⁾ Concerning encoder with connector

²⁾ Electrical, logically linked to A and B

³⁾ In case, that shaft seal has been removed by customer

⁴⁾ Condensation of the optical scanning not permitted

⁵⁾ To DIN EN 61000-6-2 and DIN EN 61000-6-3

⁶⁾ To DIN EN 60068-2-27

⁷⁾ To DIN EN 60068-2-6

⁸⁾ With mating connector fitted

⁹⁾ Only with shaft stationary

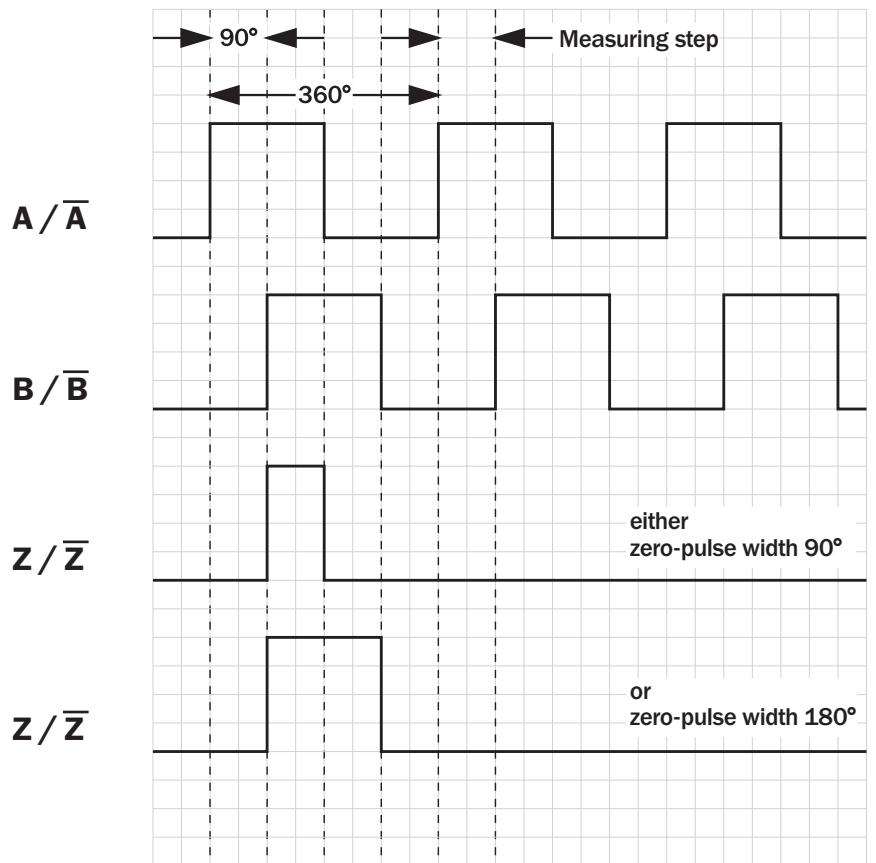
Number of lines
1 up to 8,192

Incremental Encoder

- Connector or cable outlet
- Protection class up to IP 66
- Electrical interfaces
TTL and HTL
- Zero-Pulse-Teach via pressing a button
- DRS 61: number of lines and zero pulse width can be freely programmed by the customer



Incremental pulse diagram

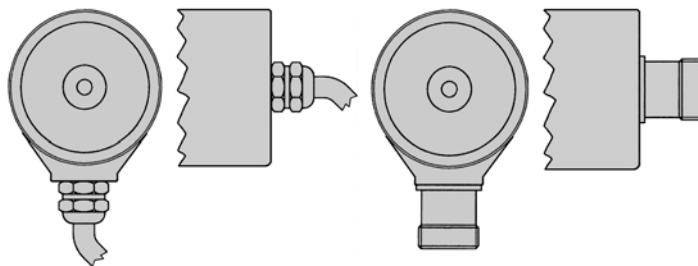


Electrical interface

Supply voltage	4.5 ... 5.5 V	10 ... 32 V	10 ... 32 V
Interfaces/drivers	TTL (RS 422)	TTL (RS 422)	HTL (push-pull)

Connection type

Cable radial	Cable axial	Connector radial	Connector axial
--------------	-------------	------------------	-----------------



Accessories

Connection systems
Mounting systems
Programming Tool



Order information

Incremental Encoder DRS 60, servo flange, solid shaft

Point 1	Point 2	Point 3	Point 4	Point 5	Point 6	Point 7	Point 8	Point 9	Point 10	Point 11	Point 12	Point 13	Point 14
D	R	S	6	0	-		1						

Electrical interface	
4.5 ... 5.5 V, TTL/RS 422 Zero-pulse width 90°	= A
4.5 ... 5.5 V, TTL/RS 422 Zero-pulse width 180°	= B
10 ... 32 V, TTL/RS 422 Zero-pulse width 90°	= C
10 ... 32 V, TTL/RS 422 Zero-pulse width 180°	= D
10 ... 32 V, HTL/push-pull Zero-pulse width 90°	= E
10 ... 32 V, HTL/push-pull Zero-pulse width 180°	= F

Mechanical interface
Servo flange, solid shaft 6 mm = 1

Connection type
Connector M23, 12 pin, radial = A
Connector M23, 12 pin, axial = B
Cable 11 core, radial 1.5 m = K
Cable 11 core, radial 3 m = L
Cable 11 core, radial 5 m = M
Cable 11 core, radial 10 m = N
Cable 11 core, axial 1.5 m = R
Cable 11 core, axial 3 m = S
Cable 11 core, axial 5 m = T
Cable 11 core, axial 10 m = U

Number of lines
Each number of lines from 00001 up to 08192 possible. Always 5 characters in clear text.

Order example Incremental Encoder DRS 60

4.5 ... 5.5 V, TTL/RS 422 zero-pulse width 90°; servo flange; connector M23, 12 pin, radial; number of lines: 360

Point 1	Point 2	Point 3	Point 4	Point 5	Point 6	Point 7	Point 8	Point 9	Point 10	Point 11	Point 12	Point 13	Point 14
D	R	S	6	0	-	A	1	A	0	0	3	6	0



Incremental-Encoder DRS 61, servo flange, solid shaft (number of lines and zero pulse width can be freely programmed by the customer)

Point 1	Point 2	Point 3	Point 4	Point 5	Point 6	Point 7	Point 8	Point 9	Point 10	Point 11	Point 12	Point 13	Point 14
D	R	S	6	1	-		1		0	8	1	9	2

Electrical interface	
4.5 ... 5.5 V, TTL/RS 422	= A
10 ... 32 V, TTL/RS 422	= C
10 ... 32 V, HTL/push-pull	= E

Mechanical interface
Servo flange, solid shaft 6 mm = 1

Connection type
Connector M23, 12 pin, radial = A
Connector M23, 12 pin, axial = B
Cable 11 core, radial 1.5 m = K
Cable 11 core, axial 1.5 m = R

Number of lines
Factory-programmed to 8,192.

Order example Incremental Encoder DRS 61

4.5 ... 5.5 Volt, TTL/RS 422; servo flange; connector M23, 12 pin, radial; number of lines: 8,192 (factory-programmed)

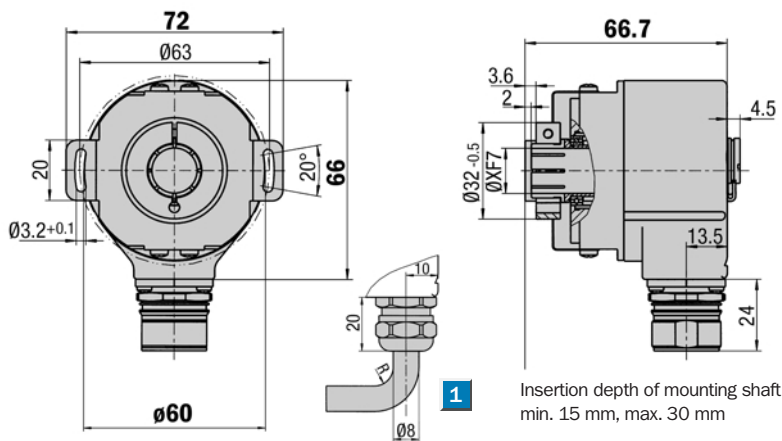
Point 1	Point 2	Point 3	Point 4	Point 5	Point 6	Point 7	Point 8	Point 9	Point 10	Point 11	Point 12	Point 13	Point 14
D	R	S	6	1	-	A	1	A	0	8	1	9	2

Number of lines
1 up to 8,192

Incremental Encoder

- Connector or cable outlet
- Protection class up to IP 66
- Electrical interfaces
TTL and HTL
- Zero-Pulse-Teach via
pressing a button
- DRS 61: number of lines and
zero pulse width can be freely
programmed by the customer

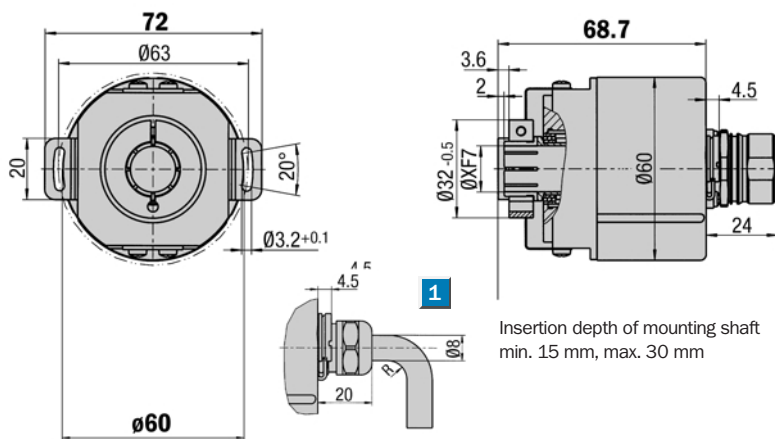
Dimensional drawing blind hollow shaft radial



Insertion depth of mounting shaft
 min. 15 mm, max. 30 mm

1 R = bending radius min. 40 mm General tolerances according to DIN ISO 2768-mk

Dimensional drawing blind hollow shaft axial

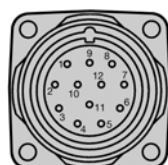


Insertion depth of mounting shaft
 min. 15 mm, max. 30 mm

1 R = bending radius min. 40 mm General tolerances according to DIN ISO 2768-mk

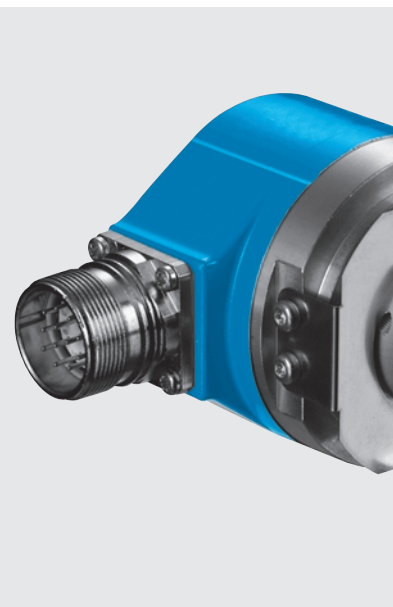
PIN and wire allocation/cable 11 core

PIN	Signal	Wire colour (Cable outlet)	Explanation
1	\bar{B}	black	Signal line
2	Sense +	grey	Connected internally to U_s
3	Z	lilac	Signal line
4	\bar{Z}	yellow	Signal line
5	A	white	Signal line
6	\bar{A}	brown	Signal line
7	N. C.	orange	Not connected
8	B	pink	Signal line
9	Screen		Housing potential
10	GND	blue	Zero volt connected to the encoder
11	Sense -	green	Connected internally to GND
12	U_s	red	Supply voltage ¹⁾



View of the connector M23 fitted to the encoder body

¹⁾ Potential free to housing
 N. C. =
 Not connected



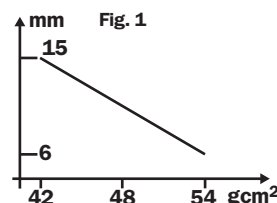
Accessories

Connection systems
Mounting systems
Collets
Programming Tool

Technical Data acc. to DIN 32878		DRS 60/DRS 61 blind hollow shaft										Flange type									
		blind																			
Hollow shaft diameter	6, 8, 10, 12, 15 mm, 1/4", 3/8", 1/2"																				
Number of lines per revolution	00001 up to 08192, see order info																				
Electrical Interface	TTL/RS 422, 6-channel																				
	HTL/push-pull, 6-channel																				
Mass ⁴⁾	Approx. 0.3 kg																				
Moment of inertia of the rotor	See Fig. 1																				
Measuring step	90°/number of lines																				
Reference signal																					
Number	1																				
Position ²⁾	90° or 180°																				
Error limits																					
binary number of lines	0.035°																				
non-binary number of lines	0.046°																				
Measuring step deviation																					
binary number of lines	0.005°																				
non-binary number of lines	0.016°																				
Max. output frequency																					
TTL	820 kHz																				
HTL	200 kHz																				
Operating torque max.	3,000 min ⁻¹																				
Max. angular acceleration	5 x 10 ⁵ rad/s ²																				
Operating torque	Typ. 0.4 Ncm																				
Start up torque	Typ. 0.6 Ncm																				
Permissible movement of the drive element																					
radial static/dynamic movement	± 0.3/± 0.1 mm																				
axial static/dynamic movement	± 0.5/± 0.2 mm																				
Bearing lifetime	3.6 x 10 ⁹ revolutions																				
Working temperature range	- 20 ... + 85 °C																				
Storage temperature range	- 40 ... + 100 °C																				
Permissible relative humidity ³⁾	90 %																				
EMC ⁴⁾																					
Resistance																					
to shocks ⁶⁾	50/11 g/ms																				
to vibration ⁶⁾	20/10 ... 2000 g/Hz																				
Protection class IEC 60529																					
Connector outlet ⁷⁾	IP 65																				
Cable outlet	IP 66																				
Operating voltage range																					
Load current TTL/RS 422, 4.5 ... 5.5 V	Max. 20 mA																				
	TTL/RS 422, 10 ... 32 V	Max. 20 mA																			
	HTL/push-pull, 10 ... 32 V	Max. 60 mA																			
No-load operating current																					
at 10 ... 32 V	Typ. 100 mA																				
at 5 V	Typ. 120 mA																				
Operation of zero-set ⁸⁾	≥ 100 ms																				
Initialisation time after power on	40 ms																				

¹⁾ Concerning encoder with connector
²⁾ Electrical, logically linked to A and B
³⁾ Condensation of the optical scanning not permitted

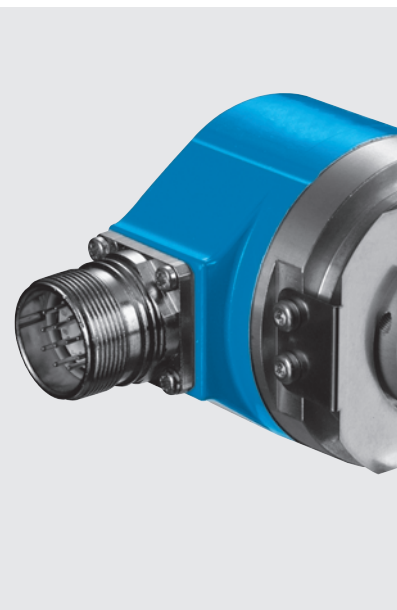
⁴⁾ To DIN EN 61000-6-2 and DIN EN 61000-6-3
⁵⁾ To DIN EN 60068-2-27
⁶⁾ To DIN EN 60068-2-6
⁷⁾ With mating connector fitted
⁸⁾ Only with shaft stationary



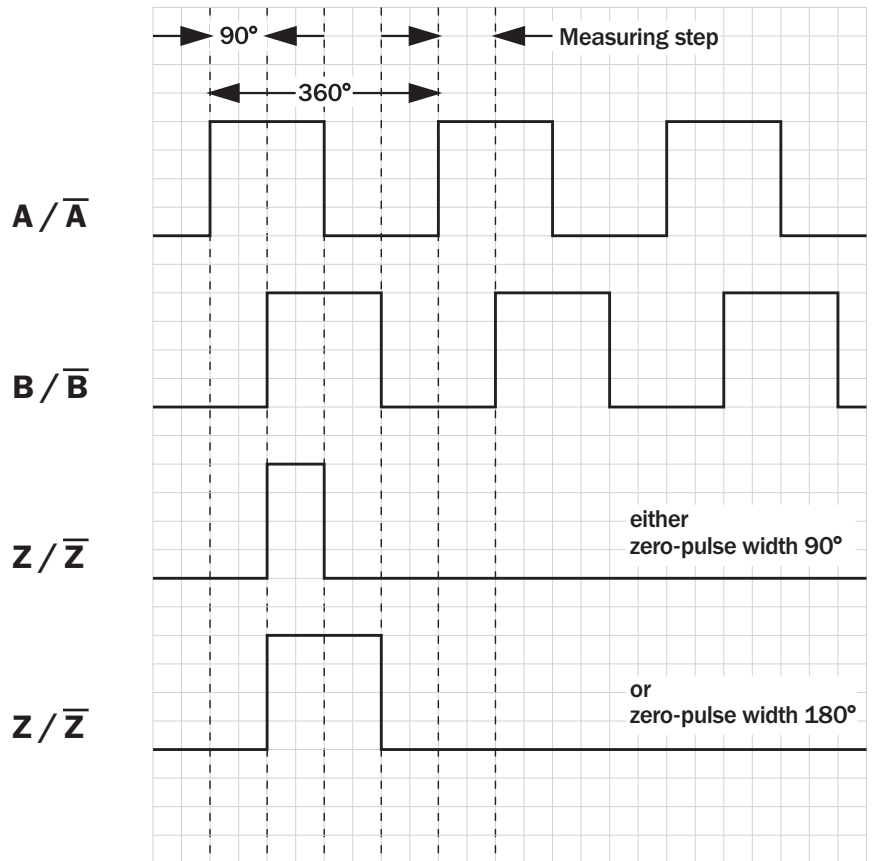
Number of lines
1 up to 8,192

Incremental Encoder

- Connector or cable outlet
- Protection class up to IP 66
- Electrical interfaces
TTL and HTL
- Zero-Pulse-Teach via pressing a button
- DRS 61: number of lines and zero pulse width can be freely programmed by the customer



Incremental pulse diagram

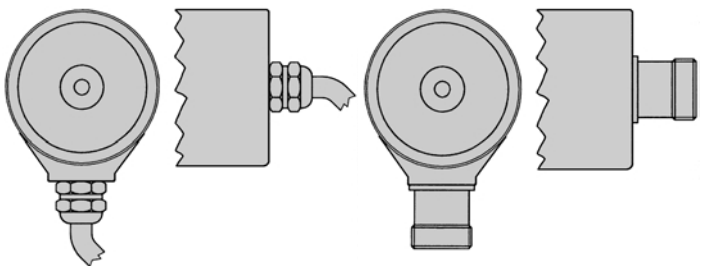


Electrical interface

Supply voltage	4.5 ... 5.5 V	10 ... 32 V	10 ... 32 V
Interfaces/drivers	TTL (RS 422)	TTL (RS 422)	HTL (push-pull)

Connection type

- Cable radial
 Cable axial
 Connector radial
 Connector axial



Accessories

Connection systems
Mounting systems
Collets
Programming Tool



Order information

Incremental Encoder DRS 60, blind hollow shaft

Point 1	Point 2	Point 3	Point 4	Point 5	Point 6	Point 7	Point 8	Point 9	Point 10	Point 11	Point 12	Point 13	Point 14
D	R	S	6	0	-		A						

Electrical interface	
4.5 ... 5.5 V, TTL/RS 422 Zero-pulse width 90°	= A
4.5 ... 5.5 V, TTL/RS 422 Zero-pulse width 180°	= B
10 ... 32 V, TTL/RS 422 Zero-pulse width 90°	= C
10 ... 32 V, TTL/RS 422 Zero-pulse width 180°	= D
10 ... 32 V, HTL/push-pull Zero-pulse width 90°	= E
10 ... 32 V, HTL/push-pull Zero-pulse width 180°	= F

Mechanical interface	
Blind hollow shaft ¹⁾	= A

¹⁾ Collets for 6, 8, 10, 12 mm and 1/4", 3/8" and 1/2" as accessories, separate order item (see below). For 15 mm shaft diameter, collet is not needed.

Connection type	
Connector M23, 12 pin, radial	= A
Connector M23, 12 pin, axial	= B
Cable 11 core, radial 1.5 m	= K
Cable 11 core, radial 3 m	= L
Cable 11 core, radial 5 m	= M
Cable 11 core, radial 10 m	= N
Cable 11 core, axial 1.5 m	= R
Cable 11 core, axial 3 m	= S
Cable 11 core, axial 5 m	= T
Cable 11 core, axial 10 m	= U

Number of lines	
Each number of lines from 00001 up to 08192 possible.	
Always 5 characters in clear text.	

Order example Incremental Encoder DRS 60

4.5 ... 5.5 V, TTL/RS 422 zero-pulse width 90°; blind hollow shaft; connector M23, 12 pin, radial; number of lines: 360

Point 1	Point 2	Point 3	Point 4	Point 5	Point 6	Point 7	Point 8	Point 9	Point 10	Point 11	Point 12	Point 13	Point 14
D	R	S	6	0	-	A	A	A	0	0	3	6	0



Incremental-Encoder DRS 61 blind hollow shaft (number of lines and zero pulse width can be freely programmed by the customer)

Point 1	Point 2	Point 3	Point 4	Point 5	Point 6	Point 7	Point 8	Point 9	Point 10	Point 11	Point 12	Point 13	Point 14
D	R	S	6	1	-		A		0	8	1	9	2

Electrical interface	
4.5 ... 5.5 V, TTL/RS 422	= A
10 ... 32 V, TTL/RS 422	= C
10 ... 32 V, HTL/push-pull	= E

Mechanical interface	
Blind hollow shaft ¹⁾	= A

¹⁾ Collets for 6, 8, 10, 12 mm and 1/4", 3/8" and 1/2" as accessories, separate order item (see below). For 15 mm shaft diameter, collet is not needed.

Connection type	
Connector M23, 12 pin, radial	= A
Connector M23, 12 pin, axial	= B
Cable 11 core, radial 1.5 m	= K
Cable 11 core, axial 1.5 m	= R

Number of lines	
Factory-programmed to 8,192.	

Order example Incremental Encoder DRS 61

4.5 ... 5.5 Volt, TTL/RS 422; blind hollow shaft; connector M23, 12 pin, radial; number of lines: 8,192 (factory-programmed)

Point 1	Point 2	Point 3	Point 4	Point 5	Point 6	Point 7	Point 8	Point 9	Point 10	Point 11	Point 12	Point 13	Point 14
D	R	S	6	1	-	A	A	A	0	8	1	9	2

Blind hollow shaft collets

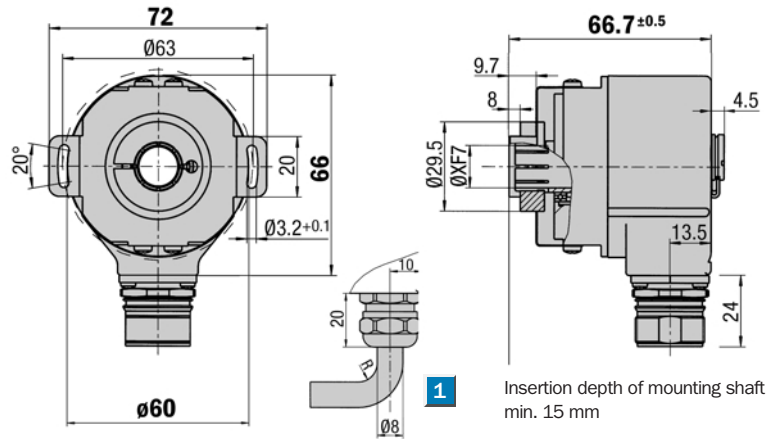
Type	Part no.	Shaft diameter
SPZ-006-AD-A	2 029 174	6 mm
SPZ-1E4-AD-A	2 029 175	1/4"
SPZ-008-AD-A	2 029 176	8 mm
SPZ-3E8-AD-A	2 029 177	3/8"
SPZ-010-AD-A	2 029 178	10 mm
SPZ-012-AD-A	2 029 179	12 mm
SPZ-1E2-AD-A	2 029 180	1/2"

Number of lines
1 up to 8,192

Incremental Encoder

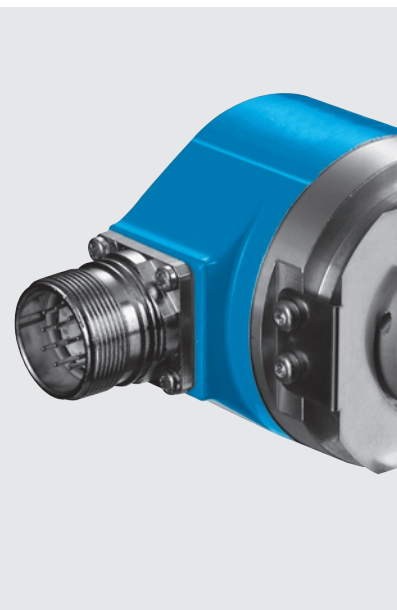
- Connector or cable outlet
- Protection class up to IP 66
- Electrical interfaces
TTL and HTL
- Zero-Pulse-Teach via
pressing a button
- DRS 61: number of lines and
zero pulse width can be freely
programmed by the customer

Dimensional drawing through hollow shaft radial



1 R = bending radius min. 40 mm

General tolerances according to DIN ISO 2768-mk



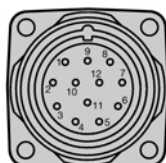
PIN and wire allocation/cable 11 core

PIN	Signal	Wire colour (Cable outlet)	Explanation
1	\bar{B}	black	Signal line
2	Sense +	grey	Connected internally to U_s
3	Z	lilac	Signal line
4	\bar{Z}	yellow	Signal line
5	A	white	Signal line
6	\bar{A}	brown	Signal line
7	N. C.	orange	Not connected
8	B	pink	Signal line
9	Screen		Housing potential
10	GND	blue	Zero volt connected to the encoder
11	Sense -	green	Connected internally to GND
12	U_s	red	Supply voltage ¹⁾



Accessories

Connection systems
Mounting systems
Collets
Programming Tool



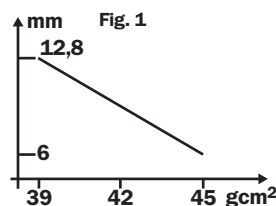
View of the connector M23 fitted to the encoder body

¹⁾ Potential free to housing
 N. C. =
 Not connected

Technical Data acc. to DIN 32878		DRS 60/DRS 61 through hollow shaft										Flange type									
		through																			
Hollow shaft diameter	6, 8, 10, 12 mm and 1/4", 3/8", 1/2"																				
Number of lines per revolution	00001 up to 08192, see order info																				
Electrical Interface	TTL/RS 422, 6-channel																				
	HTL/push-pull, 6-channel																				
Mass ⁴⁾	Approx. 0.3 kg																				
Moment of inertia of the rotor	See Fig. 1																				
Measuring step	90°/number of lines																				
Reference signal																					
Number	1																				
Position ²⁾	90° or 180°																				
Error limits																					
binary number of lines	0.035°																				
non-binary number of lines	0.046°																				
Measuring step deviation																					
binary number of lines	0.005°																				
non-binary number of lines	0.016°																				
Max. output frequency																					
TTL	820 kHz																				
HTL	200 kHz																				
Operating torque max.	3,000 min ⁻¹																				
Max. angular acceleration	5 x 10 ⁵ rad/s ²																				
Operating torque	Typ. 1.6 Ncm																				
Start up torque	Typ. 2.2 Ncm																				
Permissible movement of the drive element																					
radial static/dynamic movement	± 0.3/± 0.1 mm																				
axial static/dynamic movement	± 0.5/± 0.2 mm																				
Bearing lifetime	3.6 x 10 ⁹ revolutions																				
Working temperature range	- 20 ... + 85 °C																				
Storage temperature range	- 40 ... + 100 °C																				
Permissible relative humidity ³⁾	90 %																				
EMC ⁴⁾																					
Resistance																					
to shocks ⁵⁾	5 /11 g/ms																				
to vibration ⁶⁾	20/10 ... 2000 g/Hz																				
Protection class IEC 60529																					
Connector outlet ⁷⁾	IP 64																				
Cable outlet	IP 64																				
Operating voltage range																					
Load current TTL/RS 422, 4.5 ... 5.5 V	Max. 20 mA																				
	TTL/RS 422, 10 ... 32 V	Max. 20 mA																			
	HTL/push-pull, 10 ... 32 V	Max. 60 mA																			
No-load operating current																					
at 10 ... 32 V	Typ. 100 mA																				
at 5 V	Typ. 120 mA																				
Operation of zero-set ⁸⁾	≥ 100 ms																				
Initialisation time after power on	40 ms																				

¹⁾ Concerning encoder with connector
²⁾ Electrical, logically linked to A and B
³⁾ Condensation of the optical scanning not permitted

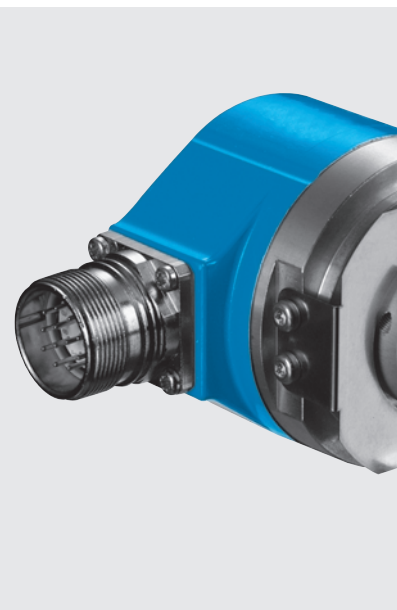
⁴⁾ To DIN EN 61000-6-2 and DIN EN 61000-6-2
⁵⁾ To DIN EN 60068-2-27
⁶⁾ To DIN EN 60068-2-6
⁷⁾ With mating connector fitted
⁸⁾ Only with shaft stationary



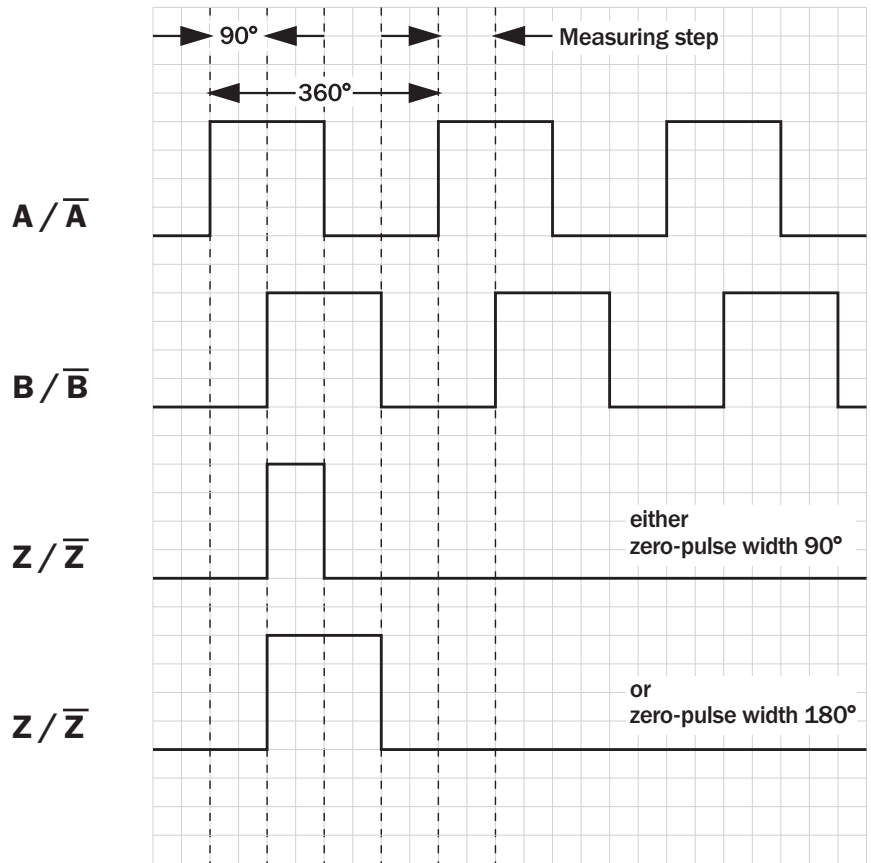
Number of lines
1 up to 8,192

Incremental Encoder

- Connector or cable outlet
- Protection class up to IP 66
- Electrical interfaces
TTL and HTL
- Zero-Pulse-Teach via pressing a button
- DRS 61: number of lines and zero pulse width can be freely programmed by the customer



Incremental pulse diagram

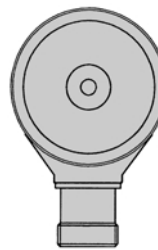
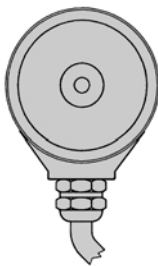


Electrical interface

Supply voltage	4.5 ... 5.5 V	10 ... 32 V	10 ... 32 V
Interfaces/drivers	TTL (RS 422)	TTL (RS 422)	HTL (push-pull)

Connection type

- Cable radial Connector radial



Accessories

Connection systems
Mounting systems
Collets
Programming Tool

Order information

Incremental Encoder DRS 60, through hollow shaft

Point 1	Point 2	Point 3	Point 4	Point 5	Point 6	Point 7	Point 8	Point 9	Point 10	Point 11	Point 12	Point 13	Point 14
D	R	S	6	0	-		D						

Electrical interface	
4.5 ... 5.5 V, TTL/RS 422 Zero-pulse width 90°	= A
4.5 ... 5.5 V, TTL/RS 422 Zero-pulse width 180°	= B
10 ... 32 V, TTL/RS 422 Zero-pulse width 90°	= C
10 ... 32 V, TTL/RS 422 Zero-pulse width 180°	= D
10 ... 32 V, HTL/push-pull Zero-pulse width 90°	= E
10 ... 32 V, HTL/push-pull Zero-pulse width 180°	= F

Mechanical interface	
Through hollow shaft ¹⁾	= D

¹⁾ Collets for 6, 8, 10, 12 mm and 1/4", 3/8" and 1/2" as accessories, separate order item (see below).

Connection type	
Connector M23, 12 pin, radial	= A
Cable 11 core, radial 1.5 m	= K
Cable 11 core, radial 3 m	= L
Cable 11 core, radial 5 m	= M
Cable 11 core, radial 10 m	= N

Number of lines	
Each number of lines from 00001 up to 08192 possible.	
Always 5 characters in clear text.	

Order example Incremental Encoder DRS 60

4.5 ... 5.5 V, TTL/RS 422 zero-pulse width 90°; through hollow shaft; connector M23, 12 pin, radial; number of lines: 360

Point 1	Point 2	Point 3	Point 4	Point 5	Point 6	Point 7	Point 8	Point 9	Point 10	Point 11	Point 12	Point 13	Point 14
D	R	S	6	0	-	A	D	A	0	0	3	6	0



Incremental-Encoder DRS 61 through hollow shaft (number of lines and zero pulse width can be freely programmed by the customer)

Point 1	Point 2	Point 3	Point 4	Point 5	Point 6	Point 7	Point 8	Point 9	Point 10	Point 11	Point 12	Point 13	Point 14
D	R	S	6	1	-		D		0	8	1	9	2

Electrical interface	
4.5 ... 5.5 V, TTL/RS 422	= A
10 ... 32 V, TTL/RS 422	= C
10 ... 32 V, HTL/push-pull	= E

Mechanical interface	
Through hollow shaft ¹⁾	= D

¹⁾ Collets for 6, 8, 10, 12 mm and 1/4", 3/8" and 1/2" as accessories, separate order item (see below).

Connection type	
Connector M23, 12 pin, radial	= A
Cable 11 core, radial 1.5 m	= K

Number of lines	
Factory-programmed to 8,192.	

Order example Incremental Encoder DRS 61

4.5 ... 5.5 Volt, TTL/RS 422; through hollow shaft; connector M23, 12 pin, radial; number of lines: 8,192 (factory-programmed)

Point 1	Point 2	Point 3	Point 4	Point 5	Point 6	Point 7	Point 8	Point 9	Point 10	Point 11	Point 12	Point 13	Point 14
D	R	S	6	1	-	A	D	A	0	8	1	9	2

Through hollow shaft collets

Type	Part no.	Shaft diameter
SPZ-006-AD-D	2 029 192	6 mm
SPZ-1E4-AD-D	2 029 193	1/4"
SPZ-008-AD-D	2 029 194	8 mm
SPZ-3E8-AD-D	2 029 195	3/8"
SPZ-010-AD-D	2 029 196	10 mm
SPZ-012-AD-D	2 029 197	12 mm
SPZ-1E2-AD-D	2 029 198	1/2"

Dimensional drawings and order information

Programming Tool for DRS 61

Type	Part no.
PGT-04-S	1 034 930

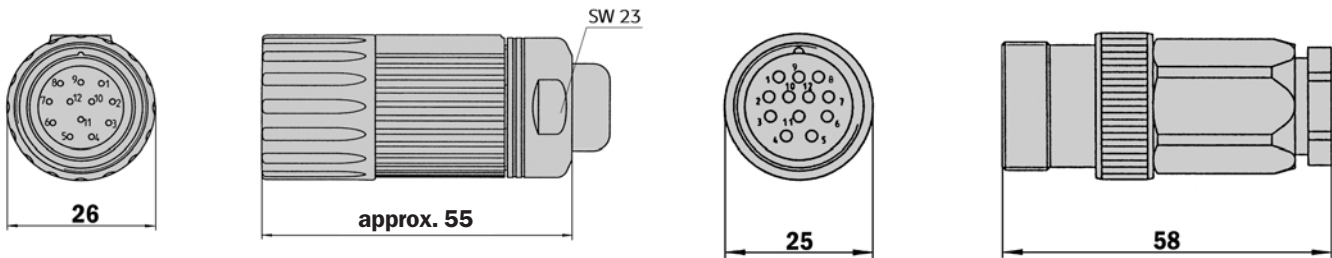
Screw-in system M23, 12 pin

Cable connector M23 female, 12 pin, straight, screened

Type	Part no.	Contacts
DOS-2312-G	6 027 538	12

Cable connector M23, 12 pin, straight, screened

Type	Part no.	Contacts
STE-2312-G	6 027 537	12



Connector M23 female, 12 pin, straight, cable 12 cores, 4 x 2 x 0.25 + 2 x 0.5 + 2 x 0.14 mm² with screening, capable of being dragged, cable diameter 7.8 mm

Type	Part no.	Contacts	Cable length
DOL-2312-G1M5MA3	2 029 212	12	1.5 m
DOL-2312-G03MMA3	2 029 213	12	3.0 m
DOL-2312-G05MMA3	2 029 214	12	5.0 m
DOL-2312-G10MMA3	2 029 215	12	10.0 m
DOL-2312-G20MMA3	2 029 216	12	20.0 m
DOL-2312-G30MMA3	2 029 217	12	30.0 m

Cable 8 core, per meter, 4 x 2 x 0.15 mm² with screening, cable diameter 5.6 mm

Type	Part no.	Wires
LTG-2308-MWENC	6 027 529	8

Cable 11 core, per meter, 4 x 2 x 0.25 + 2 x 0.5 + 1 x 0.14 mm² with screening, cable diameter 7.5 mm

Type	Part no.	Wires
LTG-2411-MW	6 027 530	11

Cable 12 core, per meter, 4 x 2 x 0.25 + 2 x 0.5 + 2 x 0.14 mm² with screening, capable of being dragged, cable diameter 7.8 mm

Type	Part no.	Wires	Explanation
LTG-2512-MW	6 027 531	12	
LTG-2612-MW	6 028 516	12	UV and salt water resistant

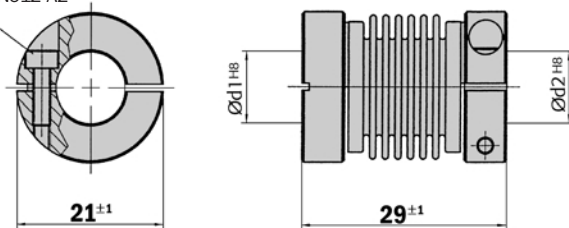
Dimensional drawings and order information

Couplings

Bellows coupling, max. shaft offset radial ± 0.3 mm, axial 0.4 mm, angle ± 4 degrees, torsion spring stiffness 120 Nm/rad, bellows of stainless steel, hubs of aluminium

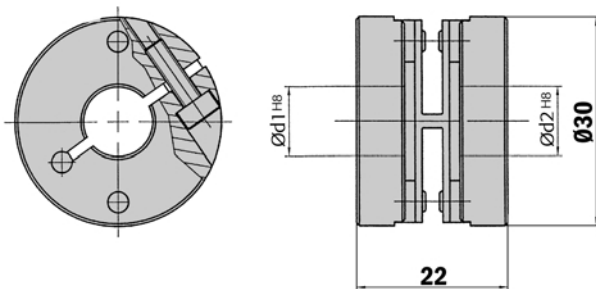
Type	Part no.	Shaft diameter
KUP-0606-B	5 312 981	6 mm ... 6 mm
KUP-0610-B	5 312 982	6 mm ... 10 mm
KUP-1010-B	5 312 983	10 mm ... 10 mm
KUP-1012-B	5 312 984	10 mm ... 12 mm

Cheese-head screw
M2,5x8 DIN912 A2



Spring-disc coupling, max. shaft offset radial ± 0.3 mm, axial 0.4 mm, angle ± 2.5 degrees, torsion spring stiffness 50 Nm/rad, flange of aluminium, spring-discs of glass-fibre-reinforced plastic

Type	Part no.	Shaft diameter
KUP-0610-F	5 312 985	6 mm ... 10 mm
KUP-1010-F	5 312 986	10 mm ... 10 mm



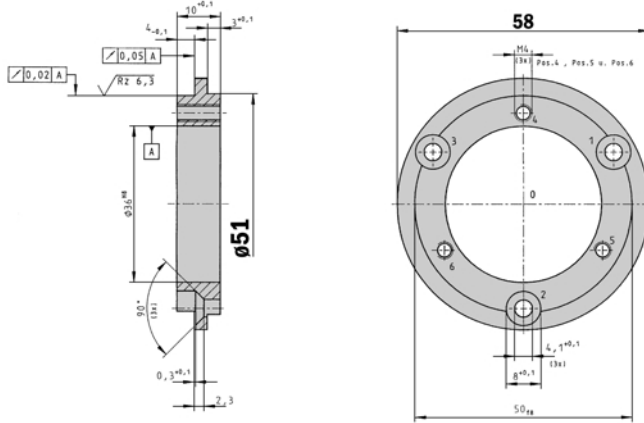
General tolerances according to DIN ISO 2768-mk

Dimensional drawings and order information

Mechanical Adaptors

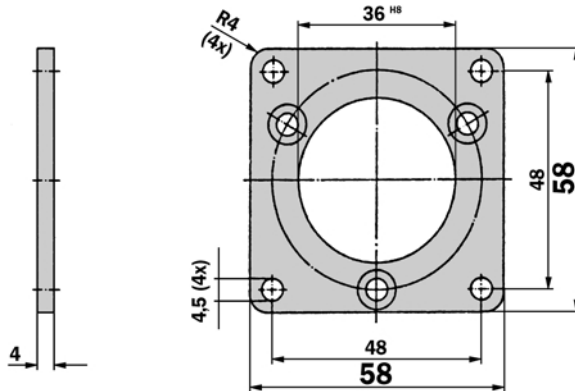
Adaptor flange of aluminium for face mount flange, spigot 36 mm

Type	Part no.	Adaption
BEF-FA-036-050	2 029 160	To 50 mm servo flange



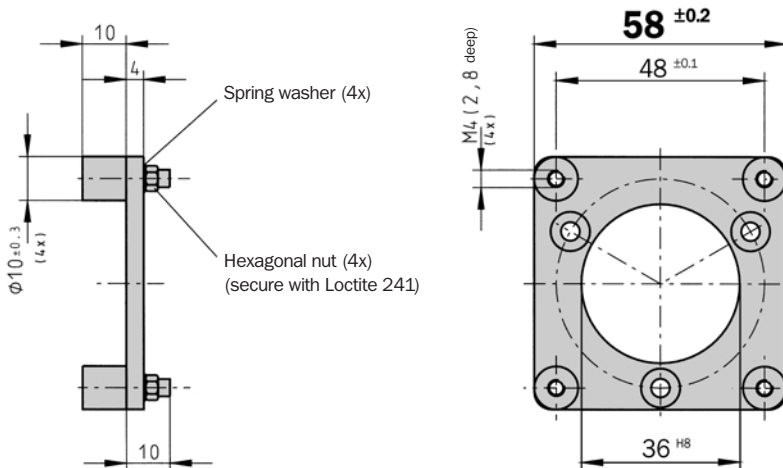
Adaptor flange of aluminium for face mount flange, spigot 36 mm

Type	Part no.	Adaption
BEF-FA-036-060REC	2 029 162	To 60 mm square mounting plate



Adaptor flange of aluminium for face mount flange, spigot 36 mm

Type	Part no.	Adaption
BEF-FA-036-060RSA	2 029 163	To 60 mm square mounting plate with shock absorbers

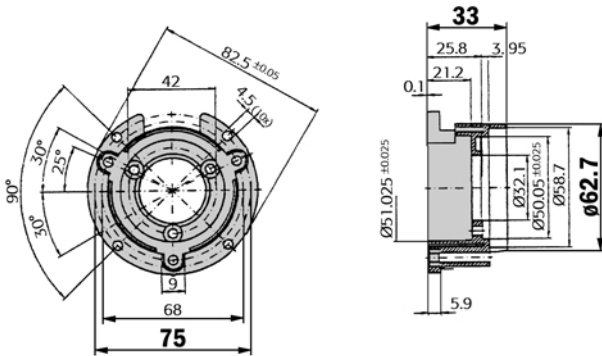


Dimensional drawings and order information

Mechanical Adaptors

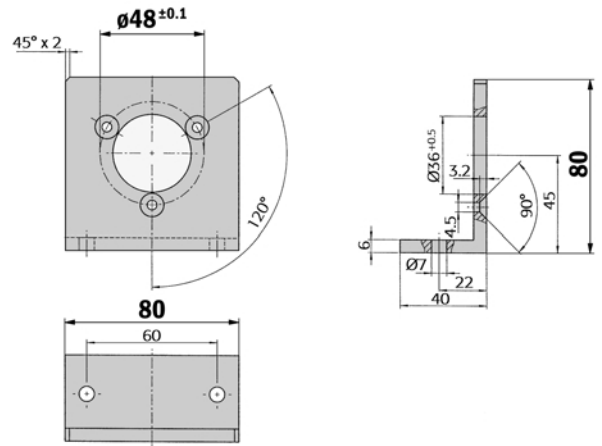
Mounting bell incl. fixing set for encoder with servo flange

Type	Part no.	Flange spigot
BEF-MG-50	5 312 987	Diameter 50 mm



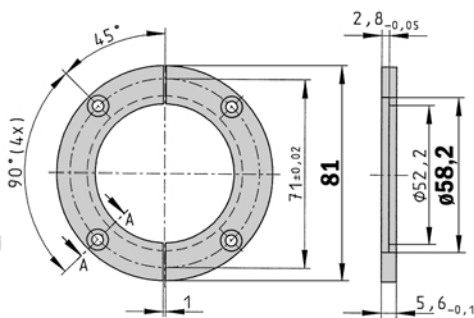
Mounting angle incl. fixing set for encoder with face mount flange

Type	Part no.	Flange spigot
BEF-WF-36	2 029 164	Diameter 36 mm



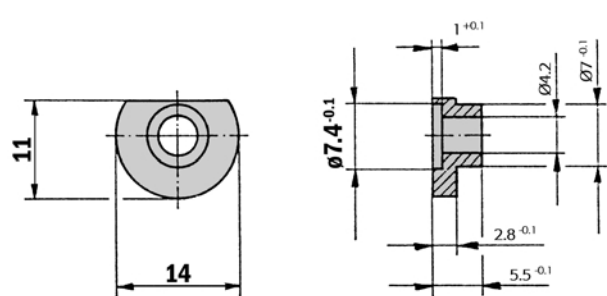
Servo clamps half ring, Set (comprises 2 pieces) for servo flanges with spigot diameter 50 mm

Type	Part no.
BEF-WG-SF050	2 029 165



Servo clamps small, Set (comprises 3 pieces) for servo flanges

Type	Part no.
BEF-WK-SF	2 029 166

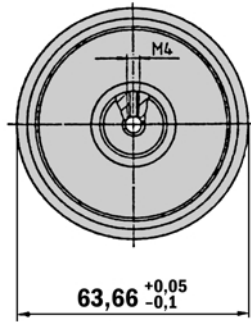


Dimensional drawings and order information

Mechanical Adaptors

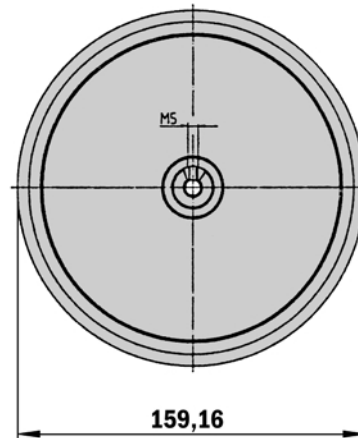
Measuring wheel for encoder shafts with diameter 10 mm, type material plastic (Hytrel), wheel material plastic with aluminium hub

Type	Part no.	Circumference
BEF-MR-010020	5 312 988	0.2 m



Measuring wheel for encoder shafts with diameter 10 mm, type material plastic (Hytrel), wheel material plastic with aluminium hub

Type	Part no.	Circumference
BEF-MR-010050	5 312 989	0.5 m



Collets

Collets for blind hollow shaft encoder

Type	Part no.	Shaft diameter
SPZ-006-AD-A	2 029 174	6 mm
SPZ-1E4-AD-A	2 029 175	1/4"
SPZ-008-AD-A	2 029 176	8 mm
SPZ-3E8-AD-A	2 029 177	3/8"
SPZ-010-AD-A	2 029 178	10 mm
SPZ-012-AD-A	2 029 179	12 mm
SPZ-1E2-AD-A	2 029 180	1/2"

Collets for through hollow shaft encoder

Type	Part no.	Shaft diameter
SPZ-006-AD-D	2 029 192	6 mm
SPZ-1E4-AD-D	2 029 193	1/4"
SPZ-008-AD-D	2 029 194	8 mm
SPZ-3E8-AD-D	2 029 195	3/8"
SPZ-010-AD-D	2 029 196	10 mm
SPZ-012-AD-D	2 029 197	12 mm
SPZ-1E2-AD-D	2 029 198	1/2"

Contact:

Australia

Phone +61 3 9497 4100
1800 33 48 02 – tollfree
E-Mail sales@sick.com.au

Belgium / Luxembourg

Phone +32 (0)2 466 55 66
E-Mail info@sick.be

Brasil

Phone +55 11 5091-4900
E-Mail sac@sick.com.br

Ceská Republika

Phone +420 2 57 91 18 50
E-Mail sick@sick.cz

China

Phone +852-2763 6966
E-Mail ghk@sick.com.hk

Danmark

Phone +45 45 82 64 00
E-Mail sick@sick.dk

Deutschland

Phone +49 (0)2 11 53 01-250
E-Mail info@sick.de

España

Phone +34 93 480 31 00
E-Mail info@sick.es

France

Phone +33 1 64 62 35 00
E-Mail info@sick.fr

Great Britain

Phone +44 (0)1727 831121
E-Mail info@sick.co.uk

India

Phone +91 (11)2696 7651
E-Mail ayograj@tecnovaglobal.com

Italia

Phone +39 011 79 79 65
E-Mail info@sick.it

Japan

Phone +81 (0)3 3358 1341
E-Mail info@sick.jp

Korea

Phone +82-2 786 6321/4
E-Mail kang@sickkorea.net

Netherlands

Phone +31 (0)30 229 25 44
E-Mail info@sick.nl

Norge

Phone +47 67 81 50 00
E-Mail austefjord@sick.no

Österreich

Phone +43 (0)22 36 62 28 8-0
E-Mail office@sick.at

Polska

Phone +48 22 837 40 50
E-Mail info@sick.pl

Republika Slovenija

Phone +386 (0)1-47 69 990
E-Mail selanm@sick.com

Russia

Phone +7 95 775 05 30
E-Mail info@sick-automation.ru

Schweiz

Phone +41 41 619 29 39
E-Mail contact@sick.ch

Singapore

Phone +65 6744 3732
E-Mail admin@sicksgp.com.sg

Suomi

Phone +358-9-25 15 800
E-Mail sick@sick.fi

Sverige

Phone +46 8 680 64 50
E-Mail info@sick.se

Türkiye

Phone +90 216 388 95 90 pbx
E-Mail info@sick.com.tr

Taiwan

Phone +886 2 2365-6292
E-Mail sickgrc@ms6.hinet.net

USA

Phone +1 937-454-1956
E-Mail sales@stegmann.com

More representatives and agencies
in all major industrial nations at
www.sick.com

SICK | STEGMANN

SICK AG • Industrial Sensors • Waldkirch • Germany • www.sick.com
SICK STEGMANN GmbH • Donaueschingen • Germany • www.sick-stegmann.de