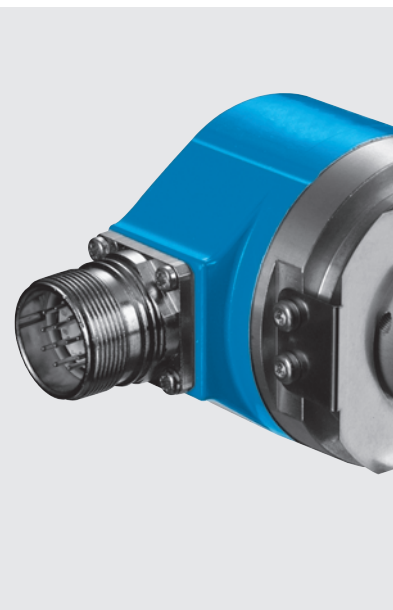


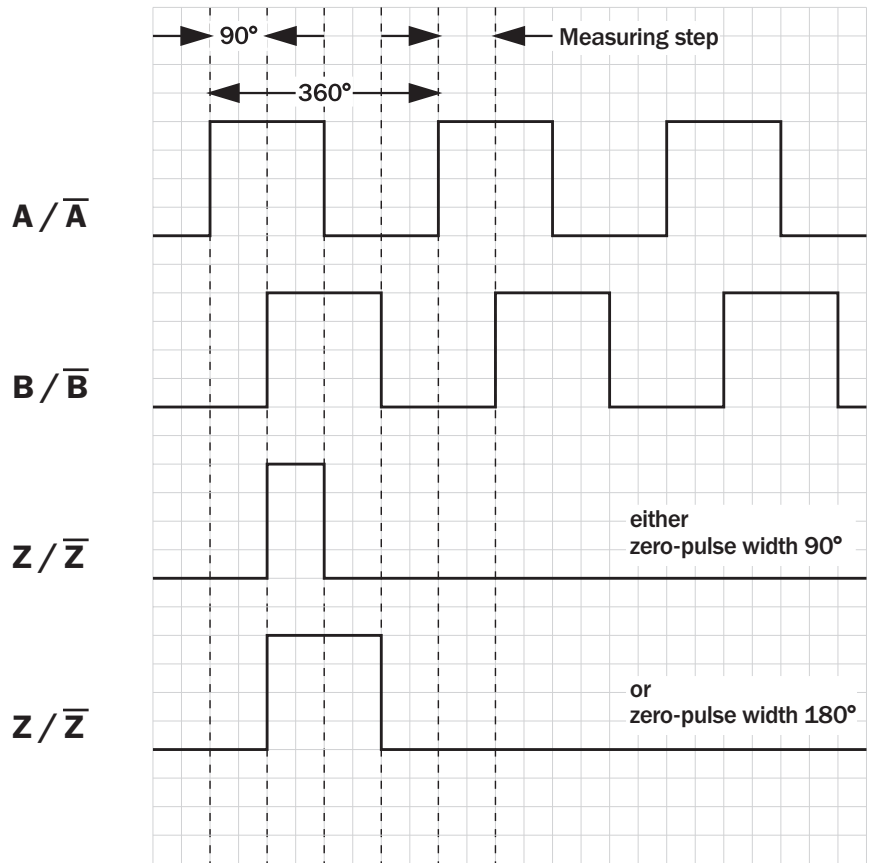
Number of lines
1 up to 8,192

Incremental Encoder

- Connector or cable outlet
- Protection class up to IP 66
- Electrical interfaces
TTL and HTL
- Zero-Pulse-Teach via pressing a button
- DRS 61: number of lines and zero pulse width can be freely programmed by the customer



Incremental pulse diagram



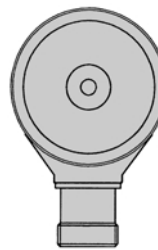
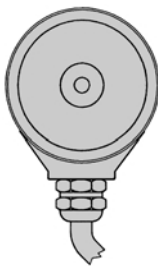
Electrical interface

Supply voltage	4.5 ... 5.5 V	10 ... 32 V	10 ... 32 V
Interfaces/drivers	TTL (RS 422)	TTL (RS 422)	HTL (push-pull)

Connection type

Cable radial

Connector radial



Accessories

Connection systems
Mounting systems
Collets
Programming Tool



Order information

Incremental Encoder DRS 60, through hollow shaft

Point 1	Point 2	Point 3	Point 4	Point 5	Point 6	Point 7	Point 8	Point 9	Point 10	Point 11	Point 12	Point 13	Point 14
D	R	S	6	0	-		D						

Electrical interface	
4.5 ... 5.5 V, TTL/RS 422 Zero-pulse width 90°	= A
4.5 ... 5.5 V, TTL/RS 422 Zero-pulse width 180°	= B
10 ... 32 V, TTL/RS 422 Zero-pulse width 90°	= C
10 ... 32 V, TTL/RS 422 Zero-pulse width 180°	= D
10 ... 32 V, HTL/push-pull Zero-pulse width 90°	= E
10 ... 32 V, HTL/push-pull Zero-pulse width 180°	= F

Mechanical interface	
Through hollow shaft ¹⁾	= D

¹⁾ Collets for 6, 8, 10, 12 mm and 1/4", 3/8" and 1/2" as accessories, separate order item (see below).

Connection type	
Connector M23, 12 pin, radial	= A
Cable 11 core, radial 1.5 m	= K
Cable 11 core, radial 3 m	= L
Cable 11 core, radial 5 m	= M
Cable 11 core, radial 10 m	= N

Number of lines	
Each number of lines from 00001 up to 08192 possible.	
Always 5 characters in clear text.	

Order example Incremental Encoder DRS 60

4.5 ... 5.5 V, TTL/RS 422 zero-pulse width 90°; through hollow shaft; connector M23, 12 pin, radial; number of lines: 360

Point 1	Point 2	Point 3	Point 4	Point 5	Point 6	Point 7	Point 8	Point 9	Point 10	Point 11	Point 12	Point 13	Point 14
D	R	S	6	0	-	A	D	A	0	0	3	6	0



Incremental-Encoder DRS 61 through hollow shaft (number of lines and zero pulse width can be freely programmed by the customer)

Point 1	Point 2	Point 3	Point 4	Point 5	Point 6	Point 7	Point 8	Point 9	Point 10	Point 11	Point 12	Point 13	Point 14
D	R	S	6	1	-		D		0	8	1	9	2

Electrical interface	
4.5 ... 5.5 V, TTL/RS 422	= A
10 ... 32 V, TTL/RS 422	= C
10 ... 32 V, HTL/push-pull	= E

Mechanical interface	
Through hollow shaft ¹⁾	= D

¹⁾ Collets for 6, 8, 10, 12 mm and 1/4", 3/8" and 1/2" as accessories, separate order item (see below).

Connection type	
Connector M23, 12 pin, radial	= A
Cable 11 core, radial 1.5 m	= K

Number of lines	
Factory-programmed to 8,192.	

Order example Incremental Encoder DRS 61

4.5 ... 5.5 Volt, TTL/RS 422; through hollow shaft; connector M23, 12 pin, radial; number of lines: 8,192 (factory-programmed)

Point 1	Point 2	Point 3	Point 4	Point 5	Point 6	Point 7	Point 8	Point 9	Point 10	Point 11	Point 12	Point 13	Point 14
D	R	S	6	1	-	A	D	A	0	8	1	9	2

Through hollow shaft collets

Type	Part no.	Shaft diameter
SPZ-006-AD-D	2 029 192	6 mm
SPZ-1E4-AD-D	2 029 193	1/4"
SPZ-008-AD-D	2 029 194	8 mm
SPZ-3E8-AD-D	2 029 195	3/8"
SPZ-010-AD-D	2 029 196	10 mm
SPZ-012-AD-D	2 029 197	12 mm
SPZ-1E2-AD-D	2 029 198	1/2"

Dimensional drawings and order information

Programming Tool for DRS 61

Type	Part no.
PGT-04-S	1 034 930

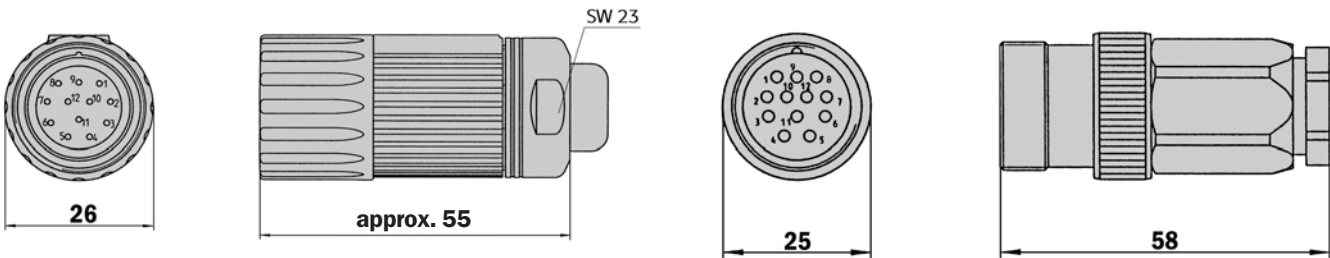
Screw-in system M23, 12 pin

Cable connector M23 female, 12 pin, straight, screened

Type	Part no.	Contacts
DOS-2312-G	6 027 538	12

Cable connector M23, 12 pin, straight, screened

Type	Part no.	Contacts
STE-2312-G	6 027 537	12



Connector M23 female, 12 pin, straight, cable 12 cores, 4 x 2 x 0.25 + 2 x 0.5 + 2 x 0.14 mm² with screening, capable of being dragged, cable diameter 7.8 mm

Type	Part no.	Contacts	Cable length
DOL-2312-G1M5MA3	2 029 212	12	1.5 m
DOL-2312-G03MMA3	2 029 213	12	3.0 m
DOL-2312-G05MMA3	2 029 214	12	5.0 m
DOL-2312-G10MMA3	2 029 215	12	10.0 m
DOL-2312-G20MMA3	2 029 216	12	20.0 m
DOL-2312-G30MMA3	2 029 217	12	30.0 m

Cable 8 core, per meter, 4 x 2 x 0.15 mm² with screening, cable diameter 5.6 mm

Type	Part no.	Wires
LTG-2308-MWENC	6 027 529	8

Cable 11 core, per meter, 4 x 2 x 0.25 + 2 x 0.5 + 1 x 0.14 mm² with screening, cable diameter 7.5 mm

Type	Part no.	Wires
LTG-2411-MW	6 027 530	11

Cable 12 core, per meter, 4 x 2 x 0.25 + 2 x 0.5 + 2 x 0.14 mm² with screening, capable of being dragged, cable diameter 7.8 mm

Type	Part no.	Wires	Explanation
LTG-2512-MW	6 027 531	12	
LTG-2612-MW	6 028 516	12	UV and salt water resistant