

## Electric Double Layer Capacitors (Gold Capacitor)

Japan

Series: **SD**



### ■ Features

- Suitable for micro current consumption back-up such as in CMOS microcomputers and RAM

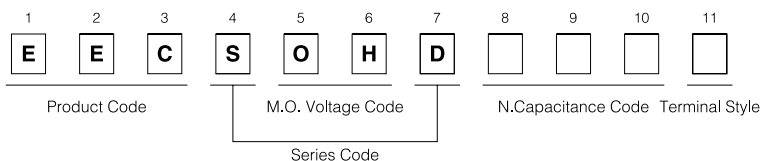
### ■ Recommended Applications

- Memory back-up for Video, Audio, Cameras, Telephones, Printer, Data terminal, Rice cooker, Intelligent remote controller

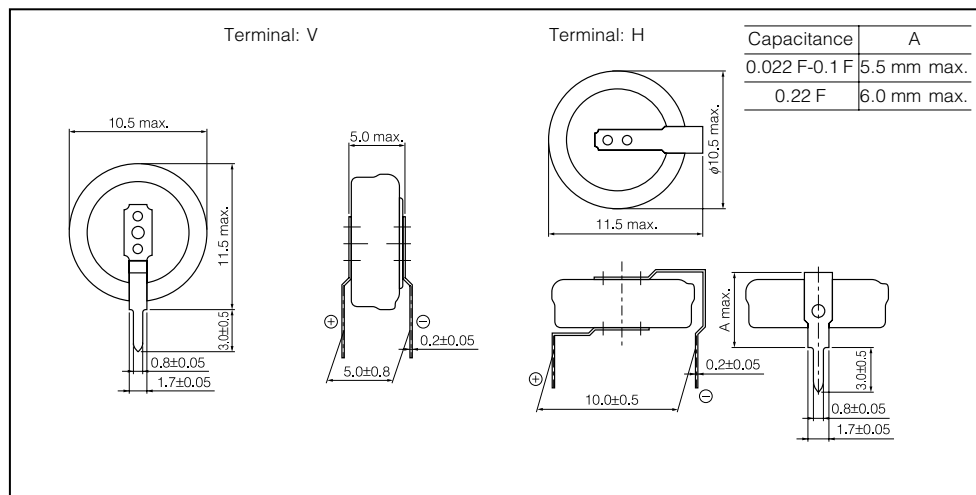
### ■ Specifications

Operating Temp. Range	-25 to +70 °C	
Maximum Operating Voltage	5.5 V.DC	
Nominal Cap. Range	0.022 to 0.22 F	
Characteristics at Low Temperature	Capacitance change	±30 % of initial measured value at +20 °C (-25 to +70 °C)
	Internal resistance	≤ 5 times of initial measured value at +20 °C (at -25 °C)
Endurance	After 1000 hours application of rated DC working voltage at +70 °C, the capacitor shall meet the following limits.	
	Capacitance change	±30 % of initial measured value
	Internal resistance	≤ 4 times of initial specified value
Shelf Life	After 1000 hours storage at +70 °C without load, the capacitor shall meet the specified limits for "Endurance".	
Moisture Resistance	After 500 hours storage at +55 °C, 90 to 95% R.H., the capacitor shall meet the specified limits for "Endurance".	

### Explanation of Part Numbers



### Dimensions in mm (not to scale)



### Standard products

Maximum Operating Voltage (V. DC)	Capacitance (F)	Part number	Capacitance range (F)	Internal resistance ( $\Omega$ ) at 1 kHz
5.5	0.022	EECS0HD 223*	0.0176 to 0.0396	$\leq 150$
	0.047	EECS0HD 473*	0.0376 to 0.0846	$\leq 120$
	0.10	EECS0HD 104*	0.080 to 0.180	$\leq 75$
	0.22	EECS0HD 224*	0.176 to 0.396	$\leq 75$

\* Please fill V or H, which means terminal style.