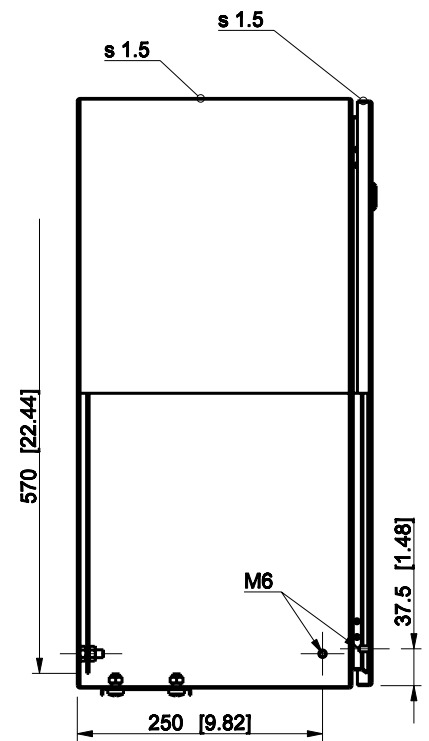
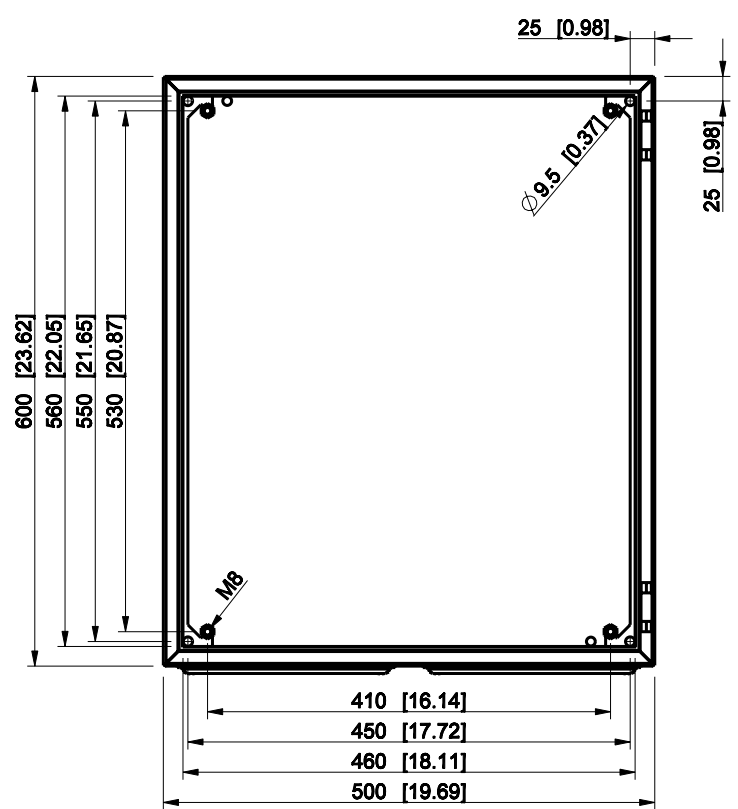
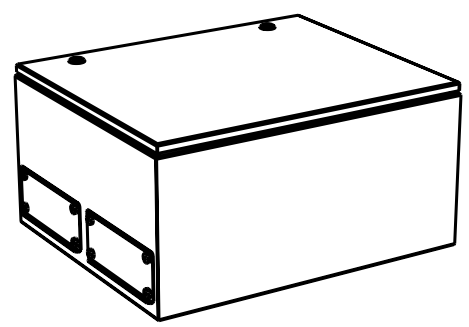
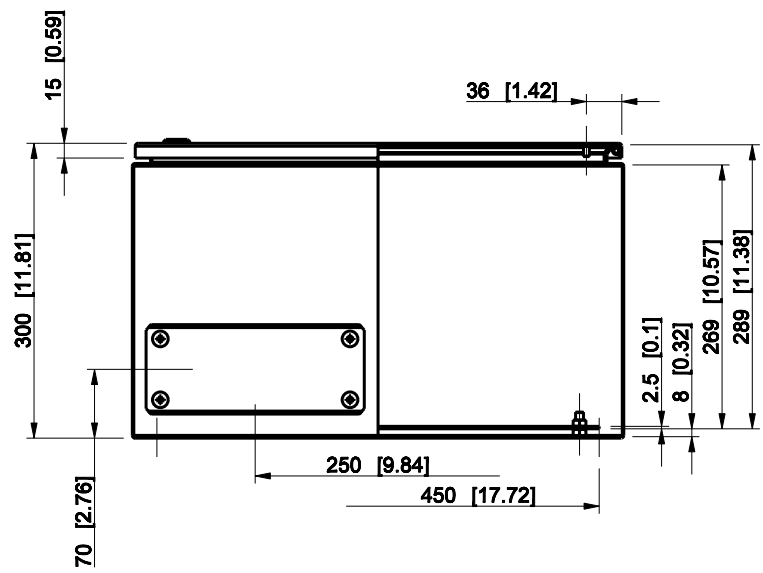


ID	Description	Date	By	Appr.
A				



Flange opening, type 2 (C/FL21)

Dimensions in mm [inches]

Material: Mild steel, polyester painted Color: RAL 7035

Supplier: Tool No: Weight [kg]: 21.07 Volume:



EFEF506030A

Scale	Date	17.12.08
2:15	By	PL/VLe
-	Checked	
-	Ctrl	

Replaces:	
Replaced:	
Drw No:	A
Ref:	Cubo E
Code:	EFEF506030A
Sheet No:	

model EFEF506030A PART
 drawing EFEF_2_DRAWING