

ELP10X1LS

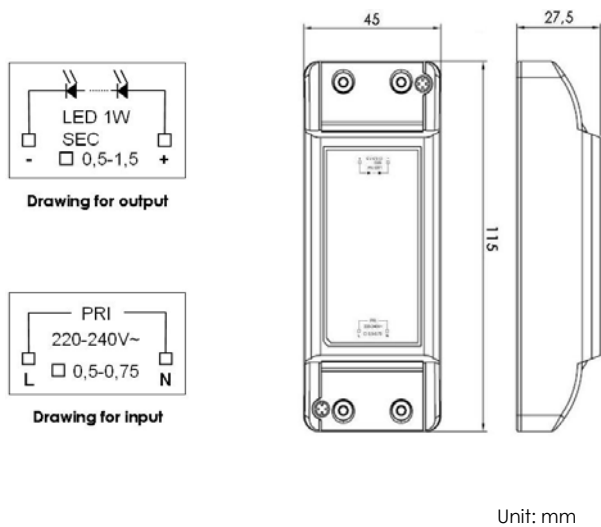
Elektronic LED Power Supply
Drive 6...10 x 1,2W/350mA LED
IP20



I. Technical Data

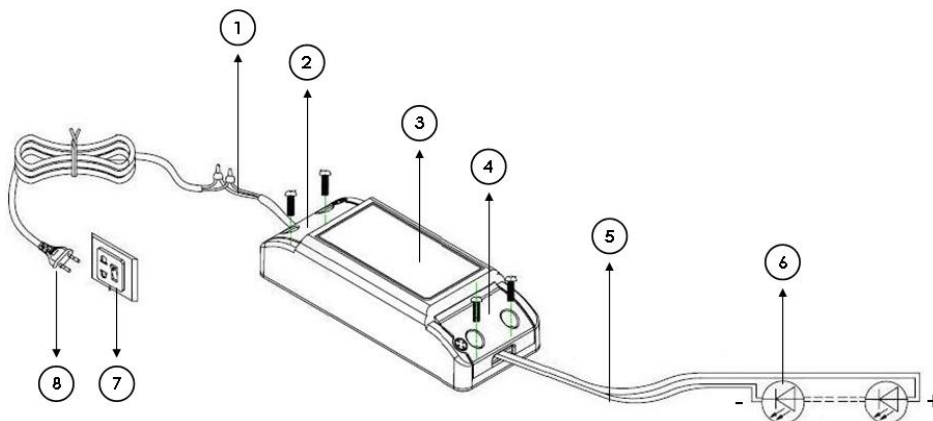
General	
Input voltage:	220...240V AC
Input current:	0,09A
Frequency:	50/60Hz
Output current:	350mA
Output voltage:	18...36V DC
Load:	6...10 x 1,2W / 350mA LED
Power factor:	≥0,8 (@45°C with full load)
Efficiency:	≥72% (@full load))
No-load loss:	≤1W
Reliability (MTBF):	≥50000 hours (@25°C with full load)
Ambient temperature (Ta):	-20°C...45°C
Surface temperature (Tc):	max. 80°C
Dimmable:	No
Safety and Protection	
Protection class:	IP20
Isolation class:	Class II, SELV
Over temperature protection:	integrated, automatic resettable after temperature descending
Short circuit protection:	integrated, automatic resettable after temperature descending
Isolation voltage:	3750V AC / 5mA / 1min
Normen und Approval	
Safety Norm:	EN61347-2-13:2006, EN61347-1:2001, EN60598-1:2004+A1:2006
LVD Norm:	Low voltage Directive 2006/95/EC
EMC Norm:	EN55015:2006, EN61547:1995+A1:2000 EN61000-3-2:2006, EN61000-3-3:1995+A1:2001+A2:2005
Approval:	INTERTEK SEMKO
CE Marking:	Yes
RoHS compatible:	Yes

II. Construction



Dimension	
Overall (LxBxH):	115 x 45 x 27,5mm
Fixture:	through two 3mm fixture holes of housing bottom
Output drawing	
Load type:	1,2W(350mA) LED
Diameter of cable:	0,5...1,5mm
Input drawing	
L:	Live line
N:	Null line
Input voltage:	220...240V AC
Diameter of cable:	0,5...0,75mm

III. Installation



Screw the protection covers of input side and outside. Then connect the input cable and output cable on the connectors according to the drawing of input side and output side. Two 3mm screw holes on the bottom of housing can be used for fixing the device. When all is done put the protection covers back and screw fixed.



DANGER! Don't work with connecting electric power! The components in this device may have deadly voltage und high stored energy! All installation works must be performed with specialized personnell!

Components	
1*	Input cable
2	Input cover
3	LED driver / device body
4	Output cover
5*	Output cable (max. 4,5m)
6*	6...10 x 1,2W/350mA LED
7*	Electric power source (220...240V AC)
8*	Electrical connector

* not inclusive in the product packing